

KB & KBW 400-600

TECHNICAL DATA:

Aluminum

- Extrusion – CS uses multiple alloys & tempers which are established to be the most appropriate for the given use of individual parts. Will be one of the following: (6063-T5, T6, T52) (6061-T5, T6, T51) (6105-T5, T6) (6005-T5) (6005A-T5, T61), ASTM B221

Vapor Barrier

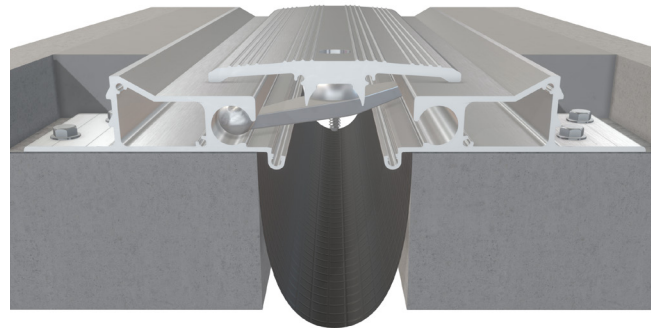
- Material: 7-Ply Polyethylene, ASTM-E-1745-11
- Color: Black
- 3" Tensile Strength: 275 lbs., ASTM-D-882
- Puncture Strength: 79 lbs., ASTM-D-4833
- PPT Resistance: 62 lbs., ASTM-D-2582

Turnbar

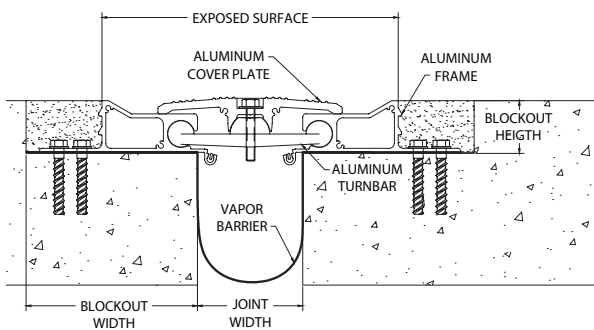
- Cast Aluminum – SR-319F

Standard Loading

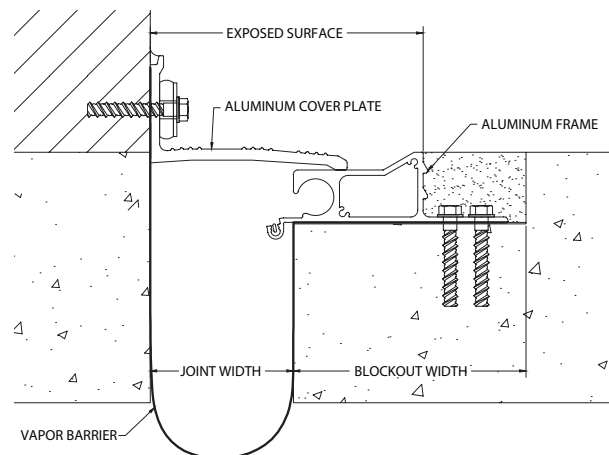
- Vehicular loading (3,000 lb. point load per IBC 2009)
- Models for increased loading (HS-20, etc.) available please consult factory



MODEL	JOINT WIDTH	MINIMUM OPENING	MAXIMUM OPENING	EXPOSED SURFACE	BLOCKOUT WIDTH	BLOCKOUT HEIGHT
KB-400	4.00" (102mm)	2.00" (51mm)	6.50" (165mm)	11.25" (286mm)	6.50" (165mm)	2.00" (51mm)
KB-500	5.00" (127mm)	2.00" (51mm)	9.25" (235mm)	15.25" (387mm)	8.00" (203mm)	2.00" (51mm)
KB-600	6.00" (152mm)	2.00" (51mm)	9.50" (241mm)	16.25" (413mm)	8.00" (203mm)	2.00" (51mm)
KBW-400	4.00" (102mm)	3.00" (76mm)	5.25" (133mm)	7.63" (194mm)	6.50" (165mm)	2.00" (51mm)
KBW-500	5.00" (127mm)	4.00" (102mm)	7.75" (197mm)	10.13" (257mm)	8.00" (203mm)	2.00" (51mm)
KBW-600	6.00" (152mm)	4.00" (102mm)	7.75" (197mm)	11.13" (283mm)	8.00" (203mm)	2.00" (51mm)



KB



KBW