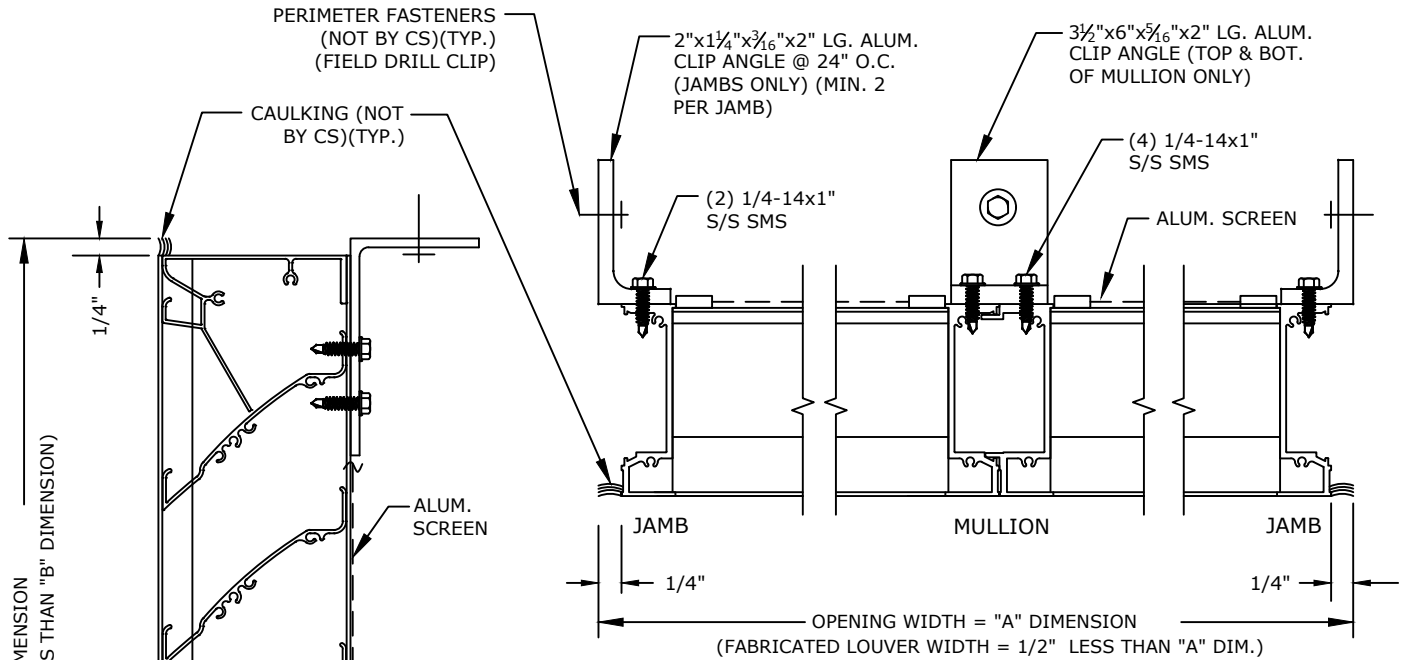
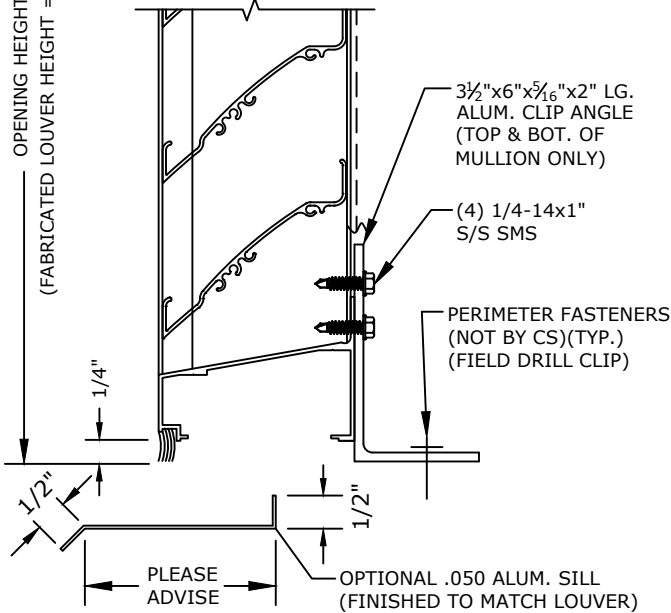


# DRAINABLE LOUVER MODEL A4177



**PLAN VIEW**  
NTS



**VERTICAL SECTION** (NTS)

## SCREENS

- SCREEN NOT REQUIRED
- SCREEN REQUIRED
- INTERIOR MOUNTED
- EXTERIOR MOUNTED
- BIRDSCREEN: 1/2" MESH .063 DIA. ALUM. WIRE (MILL FINISH)
- INSECT SCREEN: 18x16 ALUM. MESH (MILL FINISH)

## FINISHES

- STANDARD MILL
- FLUOROPOLYMER POWDER COAT (NOT AVAILABLE IN 600XL OR 700)
- KYNAR (500),(600XL)or(700)
- (1) OF CS STD. COLORS
- CUSTOM COLOR, CS REQUIRES A COLOR CHIP FOR MATCHING
- BRONZE ANODIC (DARK OR MED.)
- CLEAR ANODIZE
- OTHER \_\_\_\_\_

CS EXTRUDED ALUMINUM 4" DEEP DRAINABLE LOUVER MODEL A4177. FRAME AND BLADES TO BE FABRICATED FROM 6063-T6 ALLOY. ALL FASTENERS TO BE STAINLESS STEEL.

UNSUPPORTED BLADE LENGTH = @ PSF.

MARK	QTY.	"A" DIM.	"B" DIM.	NUMBER OF MULLIONS	LOUVER LOCATION	REMARKS

Construction Specialties, Inc.  
3 Werner Way  
Lebanon, New Jersey 08833  
(800) 233-8493

PROJECT:

DRAWN BY:

CKD. BY:

CUSTOMER:

DATE:

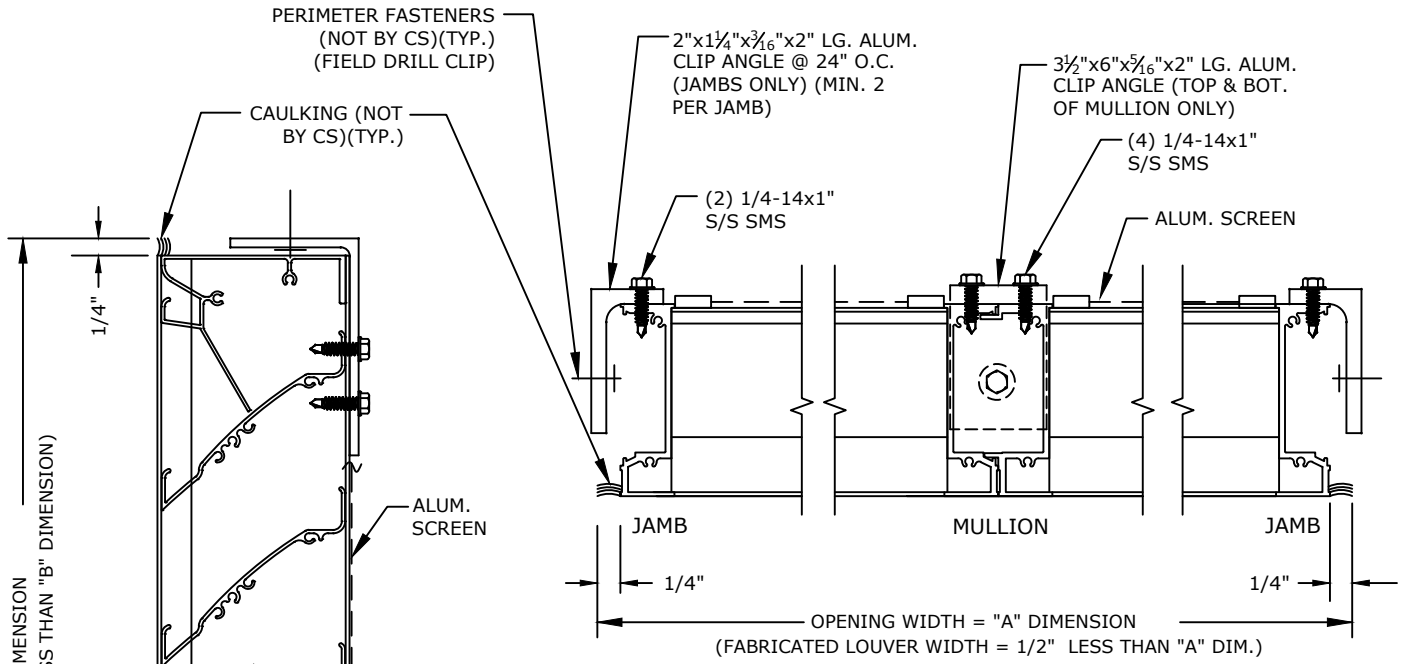
ARCH'T:

DWG. NO:

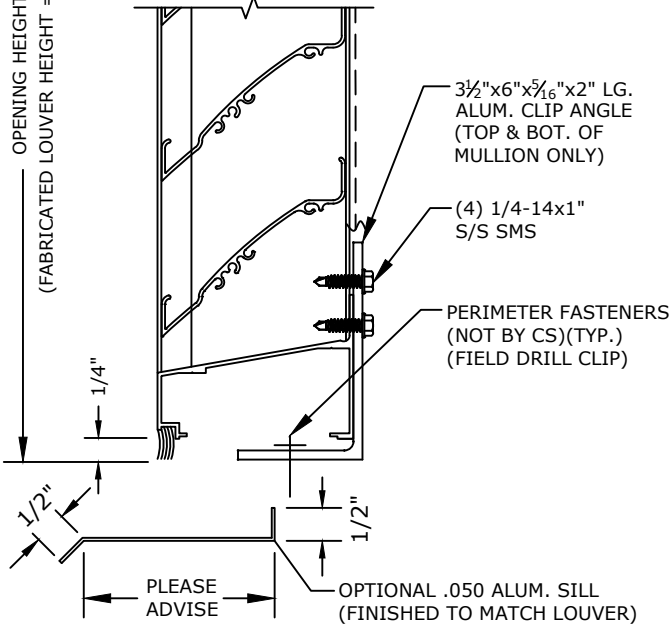
AGENT:

SHEET 10F 1

# DRAINABLE LOUVER MODEL A4177



**PLAN VIEW**  
NTS



**VERTICAL SECTION** (NTS)

**SCREENS**

- SCREEN NOT REQUIRED
- SCREEN REQUIRED
- INTERIOR MOUNTED
- EXTERIOR MOUNTED
- BIRDSCREEN: 1/2" MESH .063 DIA. ALUM. WIRE (MILL FINISH)
- INSECT SCREEN: 18x16 ALUM. MESH (MILL FINISH)

**FINISHES**

- STANDARD MILL
- FLUOROPOLYMER POWDER COAT (NOT AVAILABLE IN 600XL OR 700)
- KYNAR (500),(600XL)or(700)
- (1) OF CS STD. COLORS
- CUSTOM COLOR, CS REQUIRES A COLOR CHIP FOR MATCHING
- BRONZE ANODIC (DARK OR MED.)
- CLEAR ANODIZE
- OTHER \_\_\_\_\_

CS EXTRUDED ALUMINUM 4" DEEP DRAINABLE LOUVER MODEL A4177. FRAME AND BLADES TO BE FABRICATED FROM 6063-T6 ALLOY. ALL FASTENERS TO BE STAINLESS STEEL.

UNSUPPORTED BLADE LENGTH= @ PSF.

MARK	QTY.	"A" DIM.	"B" DIM.	NUMBER OF MULLIONS	LOUVER LOCATION	REMARKS

Construction Specialties, Inc.  
3 Werner Way  
Lebanon, New Jersey 08833  
(800) 233-8493

PROJECT:	DRAWN BY:	CKD. BY:
CUSTOMER:	DATE:	
ARCH'T:	DWG. NO:	
AGENT:	SHEET 10F 1	