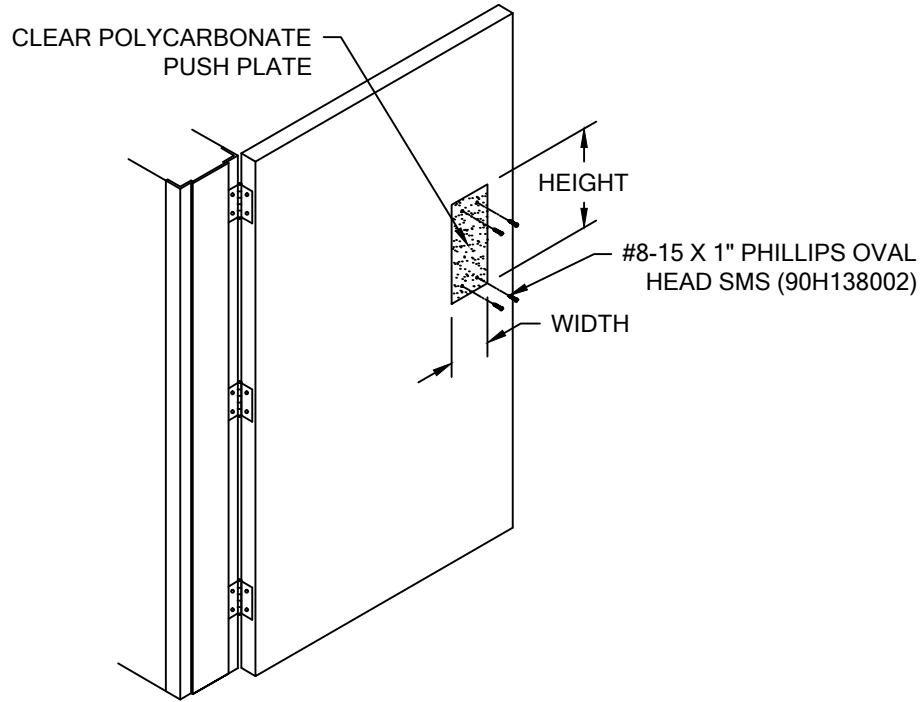


**NOTES:**


1. LEXAN PUSH PLATES ARE SUPPLIED STANDARD WITH BEVELED EDGES AND PRE-DRILLED HOLES
2. LEXAN PUSH PLATES ARE .060" THICK.

UNITS REQ'D	HEIGHT	WIDTH



# PUSH PLATES LEXAN

CONDITION	SPECIFIED FASTENER	DRILL DIAMETERS	C/S PART NUMBER
		DOOR	
WOOD & METAL DOORS	#8-15 X 1" PHILLIPS OVAL HEAD SHEET METAL SCREW	N/A	90H138002

 <p><b>Construction Specialties™</b> 6696 Route 405 Highway, Muncy PA 17756 (800) 233-8493 • Fax (570) 546-4692 • www.c-sgroup.com</p>	<b>PROJECT:</b>	<b>REVISION:</b>
	<b>JOB NO.:</b>	<b>F&amp;F:</b>
	<b>CUSTOMER:</b>	
	<b>REP:</b>	<b>DATE:</b>
	<b>DRAWN BY:</b>	<b>SHEET NO:</b>