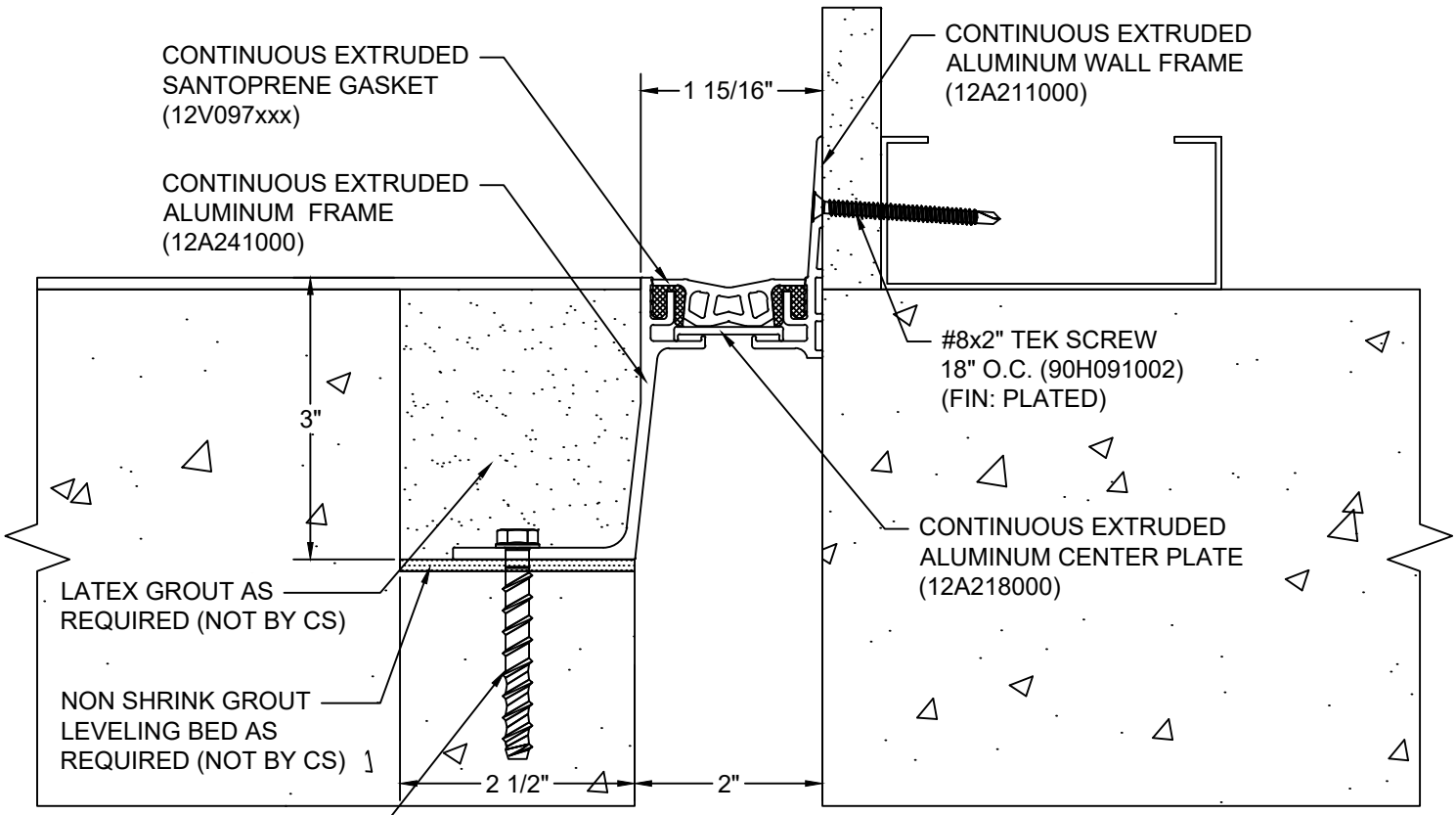




\*\*\* CUSTOM COLORS ARE AVAILABLE AT AN ADDITIONAL CHARGE, SUBJECT TO MINIMUM QUANTITIES. \*\*\*



1/4"x2 1/4" SCREW BOLT + 18" O.C.  
 (90H244004) (FIN: ZINC)  
 ICC-ES#-ESR-4042 (MASONRY)  
 ICC-ES#-ESR-3889 (CONCRETE)

# Model: GFTW-200X3



**Construction Specialties**  
[www.c-sgroup.com](http://www.c-sgroup.com)  
 6696 Route 405 Highway, Muncy, PA 17756  
 Phone: (800) 233-8493 / Fax: (570) 546-8022



895 Lakefront Promenade, Mississauga, Ontario L5E 2C2 Canada  
 Phone: (888) 895-8955 / Fax: (905) 274-6241

© Copyright 2016 Construction Specialties, Inc.

PROJECT:	SCALE: NTS
CUSTOMER:	DATE:
LOCATION:	JOB NO.:
DRAWN BY:	SHEET NO.: