

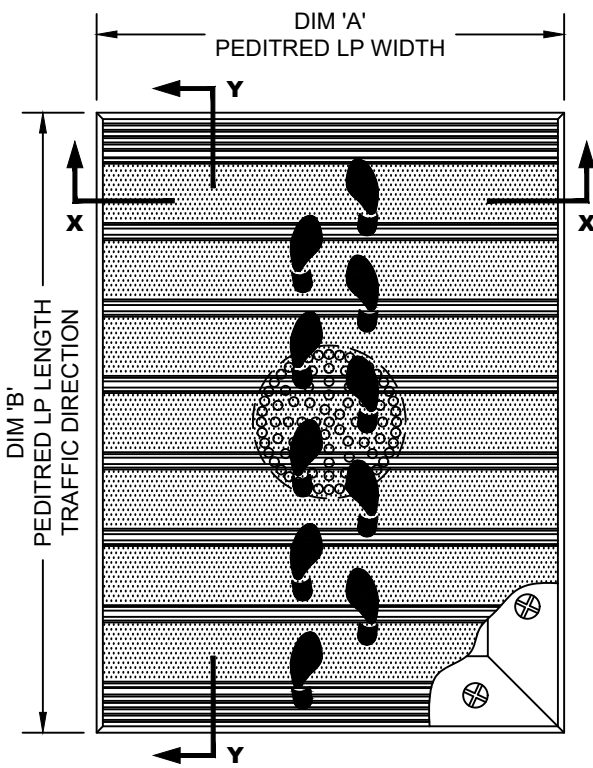
PEDITRED LP WITH ALUMINUM TAPERED ANGLE FRAME AND DRAIN PAN

INSERT STYLE: INSERT COLOR: PLEASE ADVISE CATALOG NUMBER: G3 PART NUMBER:

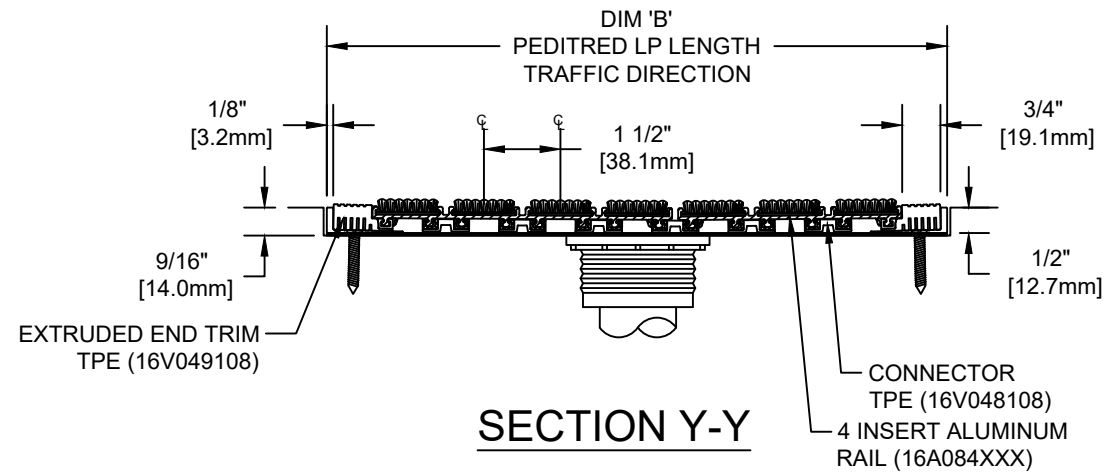
NO.	REVISION	DATE	BY
NO.	F&F RELEASE	DATE	BY

- | | | | | | | |
|--------------------------------------|--------------------------------------|---|---|--|---|---|
| RECYCLED RUBBER
G3RR
19R005XXX | EXTERIOR CARPET
G3EC
19C018XXX | HEAVY-DUTY CARPET
G3HC
19C010XXX
19C022XXX | RUBBER
G3V
19V022501
#8501 BLACK | VINYL ABRASIVE
G3VA
19A007XXX
19M001XXX | SERRATED ALUM. INSERT
G3SAI
19A004001 | POURED ABRASIVE INSERT
G3PA
19A005XXX |
|--------------------------------------|--------------------------------------|---|---|--|---|---|

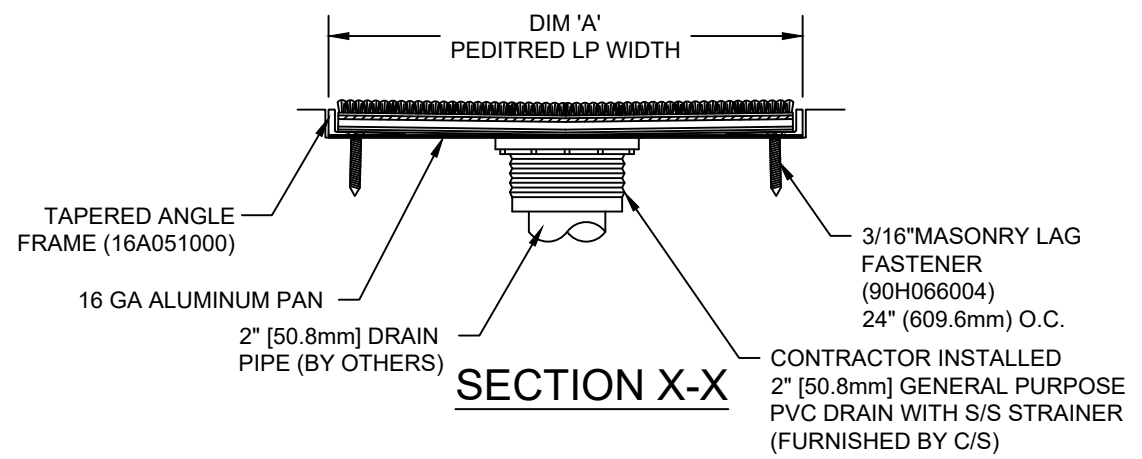
PEDITRED INSERT STYLES



TYPICAL PLAN VIEW



SECTION Y-Y



SECTION X-X

NOTES:

*ALL SURFACES IN CONTACT WITH MASONRY ARE TO RECEIVE A COAT OF ZINC CHROMATE PRIMER
 *PLEASE VERIFY TRAFFIC DIRECTION
 *PEDITRED LP SHALL BE ABLE TO SUPPORT A 750 LB. ROLLING LOAD.

*MAX. SINGLE GRID SIZE NOT TO EXCEED 12'-0" (3.66M) IN WIDTH (DIM "A") OR 3'-0" (.91M) IN LENGTH (DIM "B").
 *ADDITIONAL SPECIFICATIONS ARE CONTAINED IN THE LATEST C/S CATALOG OR AT C-SGROUP.COM AND ARE CONSIDERED PART OF THIS TRANSMITTAL.

CS Construction Specialties
 8696 Route 405 Highway, Muncy PA 17756
 (800) 233-8493 • Fax (570) 546-4692 • www.c-sgroup.com

PLEASE VERIFY ALL	QTY	MARK #	LOCATION	MODEL	DIM 'A' WIDTH	DIM 'B' LENGTH	FINISH	NOTES

PROJECT:		
LOCATION:		
CONTRACTOR:		
AGENT:		SHT:
DRG. BY:	DATE:	JOB NO.: