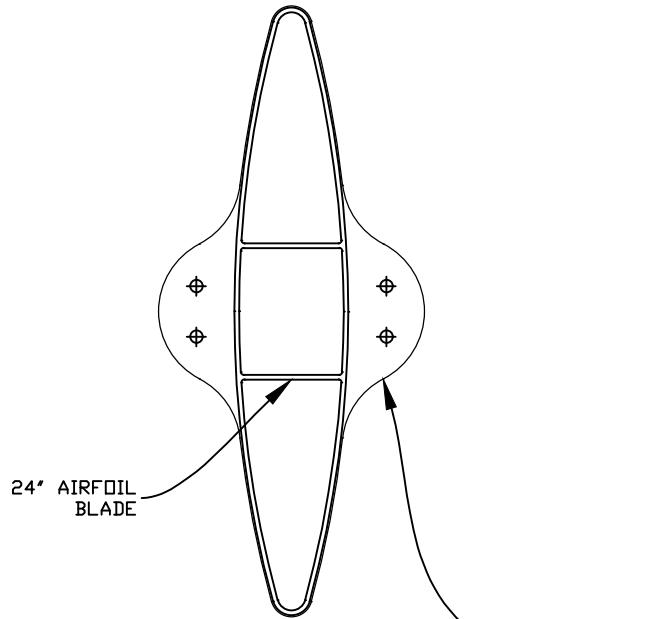
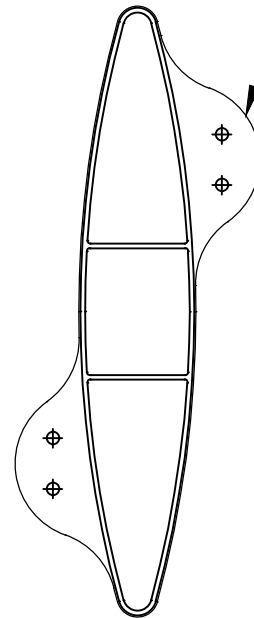


SECTION

OPTION 1



OPTION 2



SCALE: 1/2"=1'

PLAN

NOTE: SPAN SUBJECT TO CHANGE BASED ON WIND LOAD AND SUPPORTING STRUCTURE

PRELIMINARY DESIGN DETAIL  
PENDING FINAL APPROVAL BY CS ENGINEERING



**Construction Specialties™**

49 MEEKER AVENUE, CRANFORD, NEW JERSEY  
PHONE: 1-800-631-7379 / FAX: 908-272-5844

PROJECT: MEGA FINS

TITLE: END CONNECTION DETAIL

SCALE: 1/2"=1'

DRW BY: N SHRIRAM

REVISION:

DATE: 08-17-2022

SHEET: 1 OF 1

DRW NO : RD-7292