

108 BLACK 232 WHITE **AVAILABLE COLORS:** 270 GREIGE 136 GRAY

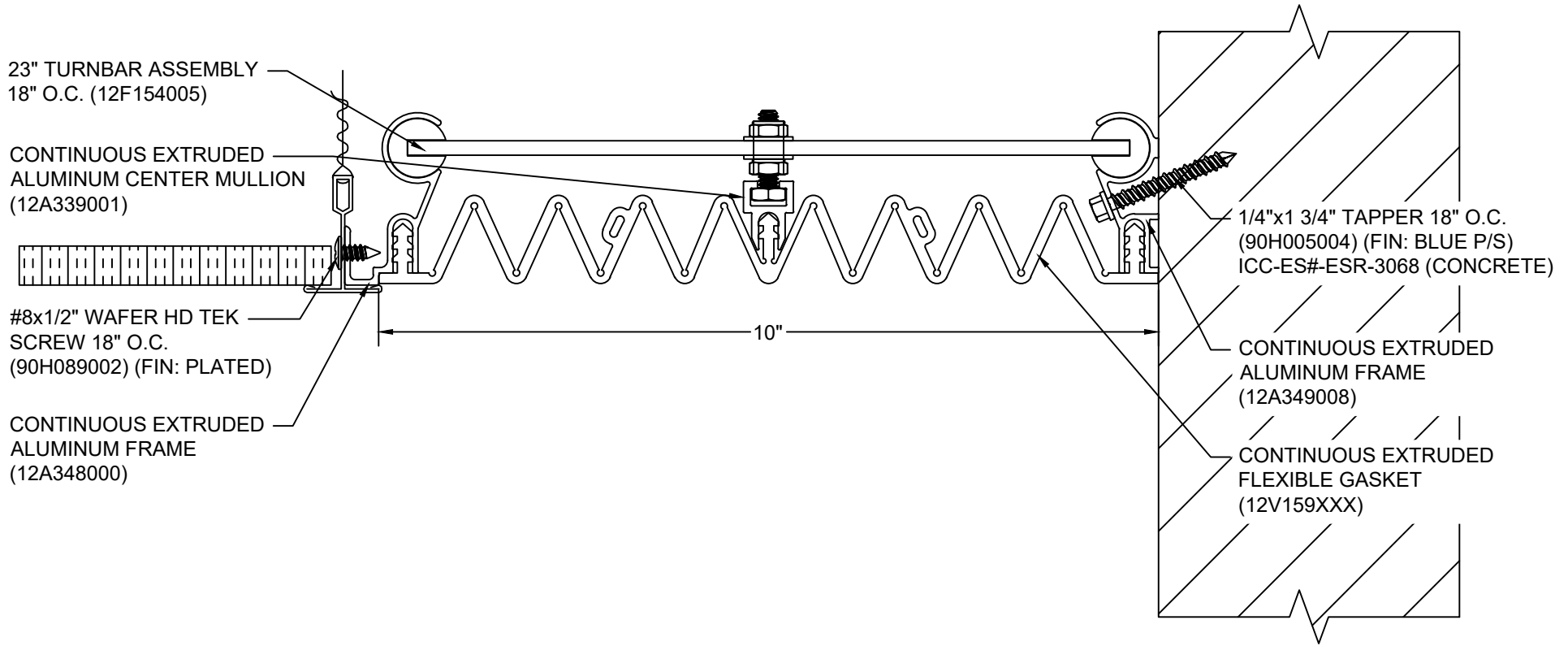
*** CUSTOM COLORS ARE AVAILABLE AT AN ADDITIONAL CHARGE, SUBJECT TO MINIMUM QUANTITIES. ***

23" TURNBAR ASSEMBLY
18" O.C. (12F154005)

CONTINUOUS EXTRUDED
ALUMINUM CENTER MULLION
(12A339001)

#8x1/2" WAFER HD TEK
SCREW 18" O.C.
(90H089002) (FIN: PLATED)

CONTINUOUS EXTRUDED
ALUMINUM FRAME
(12A348000)



1/4"x1 3/4" TAPPER 18" O.C.
(90H005004) (FIN: BLUE P/S)
ICC-ES#-ESR-3068 (CONCRETE)

CONTINUOUS EXTRUDED
ALUMINUM FRAME
(12A349008)

CONTINUOUS EXTRUDED
FLEXIBLE GASKET
(12V159XXX)

Model: FCSC-1000

CS **Construction Specialties**
www.c-sgroup.com
6696 Route 405 Highway, Muncy, PA 17756
Phone: (800) 233-8493 / Fax: (570) 546-8022



895 Lakefront Promenade, Mississauga, Ontario L5E 2C2 Canada
Phone: (888) 895-8955 / Fax: (905) 274-6241

© Copyright 2016 Construction Specialties, Inc.

PROJECT:	SCALE: NTS
CUSTOMER:	DATE:
LOCATION:	JOB NO.:
DRAWN BY:	SHEET NO.: