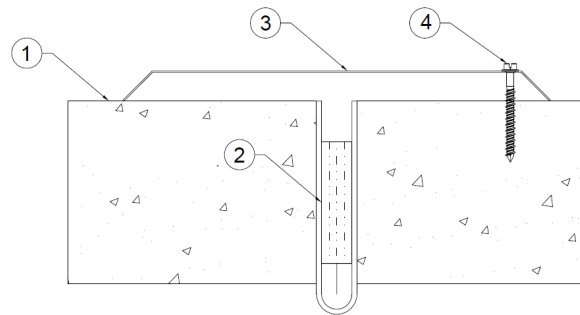


Construction Specialties, Inc.
Design No. CSI/EJCA 180-02
Floor Joint System
FB-22 Fire Barrier
UL 2079
Rating: 3 Hour
L-Rating: <1 SCFM/LF
CAN/ULC-S115
F Rating: 3 Hour
FT Rating: 3 Hour
ASTM E1399/E1399M

Cycling – Class IV ± 50% Horizontal Movement (See Table 1)



Nominal Joint Size	Max. Joint Width	Min. Joint Width
1 in.	1-1/2 in.	1/2 in.
2 in.	3 in.	1 in.

Table 1.

1. CONCRETE FLOOR ASSEMBLY: Use a min. 3-hour fire-resistance rated, solid reinforced concrete floor assembly made from either lightweight or normal weight concrete with a density of 100 – 150 pcf, with a min. thickness of 6 in. at the joint face. When a longitudinal recess breakout is required to contain an architectural joint system, increase the concrete floor assembly thickness to maintain a min. thickness of 6 in. and accommodate depth of breakout formed in the concrete: breakout width unrestricted.

2. CERTIFIED MANUFACTURER: Construction Specialties, Inc.

CERTIFIED PRODUCT: Expansion Joint Cover Assembly

CERTIFIED MODELS:
FB-22

JOINT TREATMENT: Fire barrier composed of ceramic paper, one or two layers of ceramic blanket, and insulation block. Install joint



treatment in accordance with manufacturer's installation instructions.

- A. The 1 in. and 2 in. nominal joint widths require only one layer of ceramic blanket.
- B. The ceramic paper is adhered to the joint face of the concrete floor assembly (Item 1) using a single, nom. 3/8 in. wide bead of Tremco Trempro 644 high temperature silicone sealant. Strips of foil tape are used to hold the ceramic paper in place while applying the sealant and while the sealant cures per the manufacturer's instructions. The tape may be removed after the sealant cures, or it may remain in place.
- C. Splices in joint treatment should be implemented by offsetting the individual component layer splices by minimum of 12 in. and should be installed per manufacturer's installation instructions.

- 3. JOINT COVER:** Min. 20 GA joint cover formed of aluminum, bronze, stainless steel, or galvanized

Consult the listing report on the Directory of Building Products (<https://bpdirectory.intertek.com>) for the edition of the standard(s) evaluated.

Compliance of the assembly described in this Design Listing with the referenced standard relies on verification that the assembly constructed in the field is consistent with that described herein. Intertek certified products may be verified by the approved Intertek label; other products must be verified by the Authority Having Jurisdiction as meeting the specifications stated herein.

steel. Joint cover splices shall be offset from splices in joint treatment layers below by minimum of 12 in. and the splice shall be butted together.

(Not Shown): In conditions where the linear opening is enclosed within a chase wall, a joint cover consisting of a creased 2 mil stainless steel foil secured with 1 in. wide continuous galvanized steel washer strips along each side of the joint may be installed in lieu of the min. 20 GA joint cover.

- 4. FASTENERS:** Joint covers (Item 3) shall be anchored to concrete floor assembly (Item 1) with min. 3/16 in. diameter concrete anchors at max. 18 in. oc over length of joint in accordance with manufacturer's installation instructions.