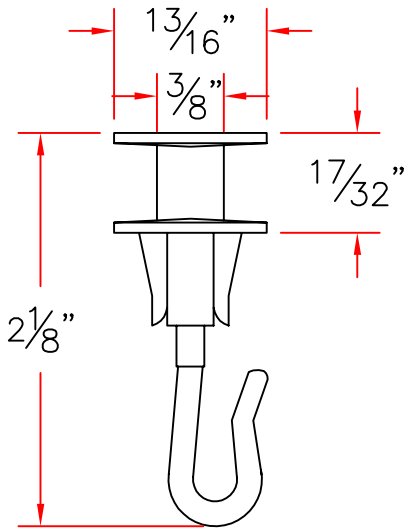
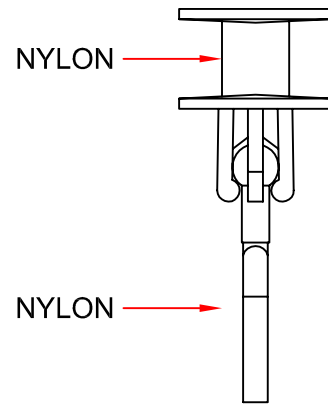


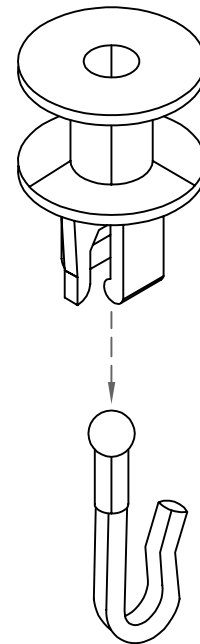
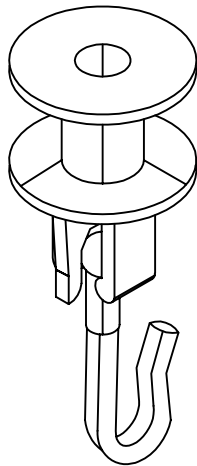
SB062 BREAK-A-WAY CARRIER



SIDE 1



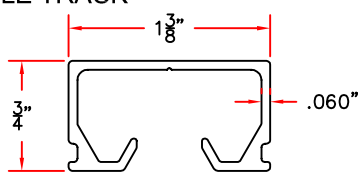
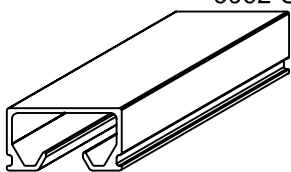
SIDE 2



TWO PIECE BREAK-A-WAY CARRIER MADE FROM NYLON.

NOTE: THE HOOK ON THIS CARRIER WILL DISENGAGE FROM THE BODY OF THE CARRIER WHEN 9.9 LBS OF PRESSURE IS APPLIED.

6062 CUBICLE TRACK



DRAWING BY: CDL

DATE: 11/2/2018

CS™ Cubicle Curtains