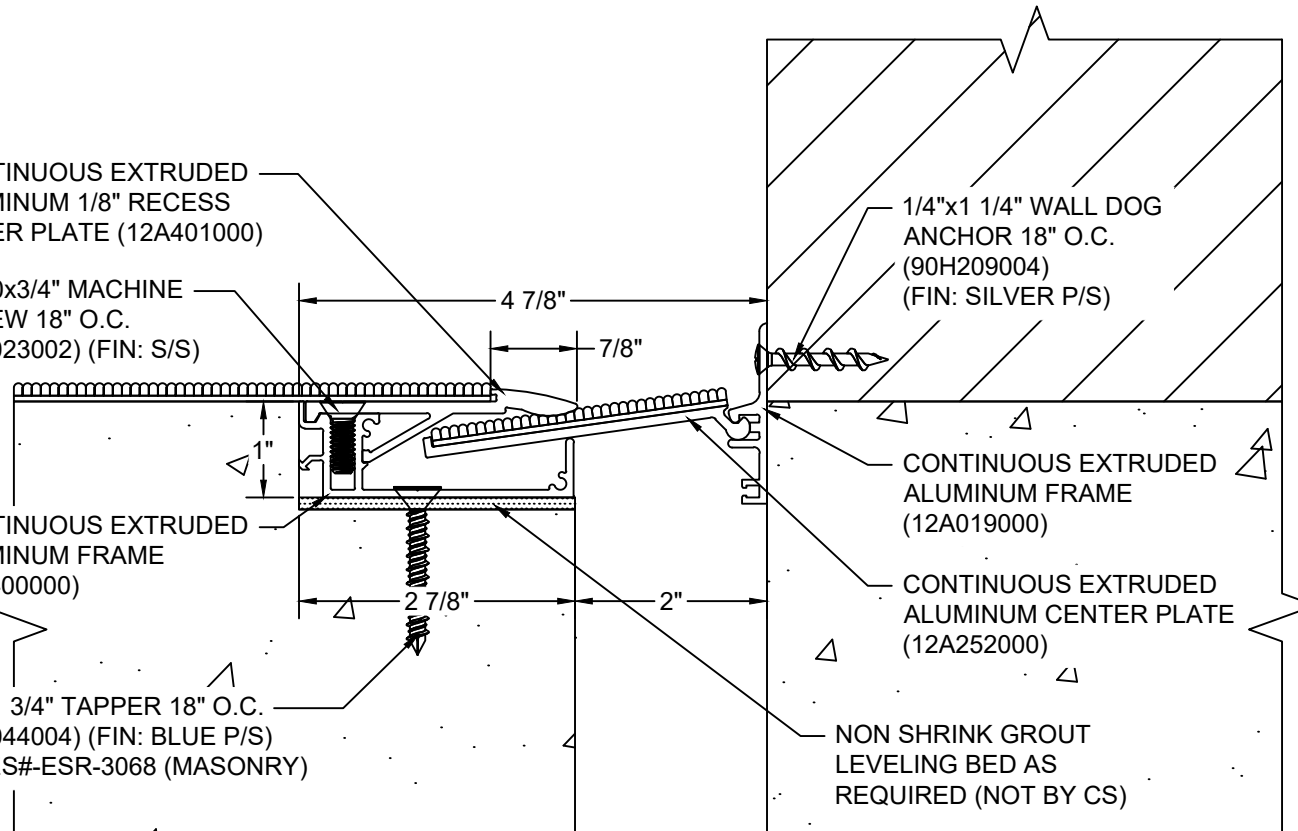


CONTINUOUS EXTRUDED
ALUMINUM 1/8" RECESS
COVER PLATE (12A401000)

1/4-20x3/4" MACHINE
SCREW 18" O.C.
(90H023002) (FIN: S/S)

CONTINUOUS EXTRUDED
ALUMINUM FRAME
(12A400000)

1/4"x1 3/4" TAPPER 18" O.C.
(90H044004) (FIN: BLUE P/S)
ICC-ES#-ESR-3068 (MASONRY)



1/4"x1 1/4" WALL DOG
ANCHOR 18" O.C.
(90H209004)
(FIN: SILVER P/S)

CONTINUOUS EXTRUDED
ALUMINUM FRAME
(12A019000)

CONTINUOUS EXTRUDED
ALUMINUM CENTER PLATE
(12A252000)

NON SHRINK GROUT
LEVELING BED AS
REQUIRED (NOT BY CS)

Model: FYWW-200



Construction Specialties®

www.c-sgroup.com

6696 Route 405 Highway, Muncy, PA 17756
Phone: (800) 233-8493 / Fax: (570) 546-8022

895 Lakefront Promenade, Mississauga, Ontario L5E 2C2 Canada
Phone: (888) 895-8955 / Fax: (905) 274-6241

© Copyright 2018 Construction Specialties, Inc.

PROJECT:	SCALE: NTS
CUSTOMER:	DATE:
LOCATION:	JOB NO.:
DRAWN BY:	SHEET NO.: