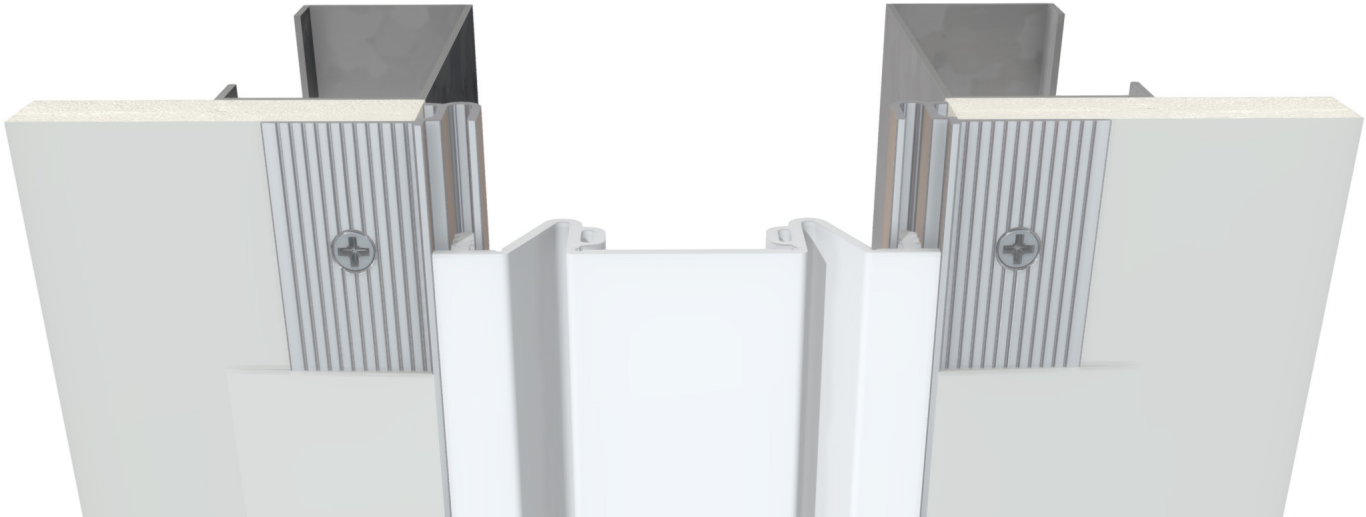


FWF Series



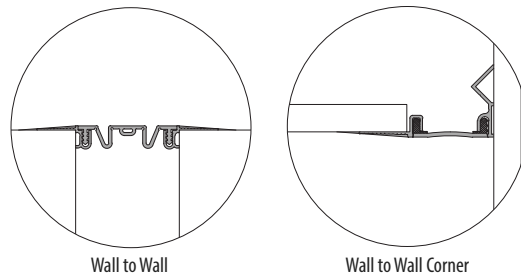
This flush, single gasket wall cover system is ideal for interior applications where minimal visual impact is preferred. Gasket profiles vary based on joint size to offer flexibility in installation and field construction. This series is also designed to match select flush ceiling cover systems.

Product Details

- Joint sizes range from 1" to 10" (25.4mm to 254mm)
- 10' (3.048m) stock lengths
- Select sizes are in stock for fast shipping
- Different frame options available for a variety of substrates
- Meets ASTM E1399
- Standard Five-Year Warranty



Applications



Gasket Color Options



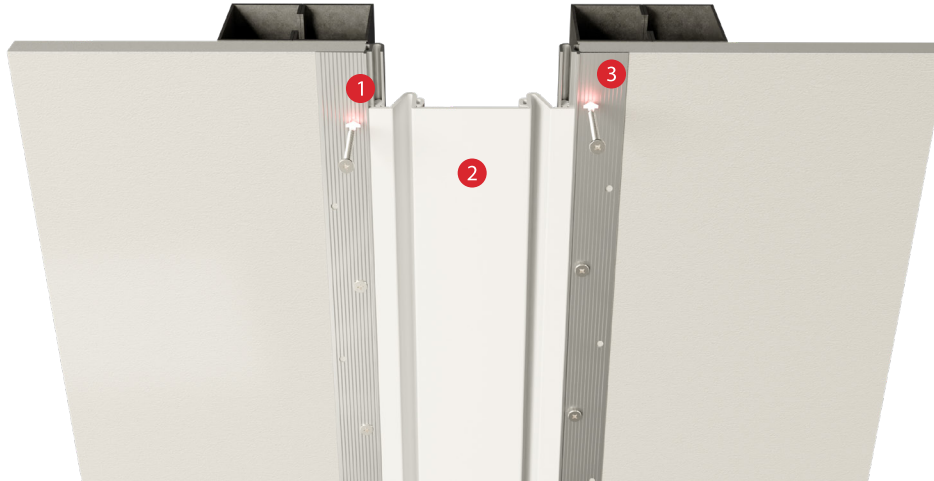
Aluminum in contact with concrete/masonry will have a 2 mil, heavy metal free, high solids primer. For custom applications, loading or finishes, contact your Representative.



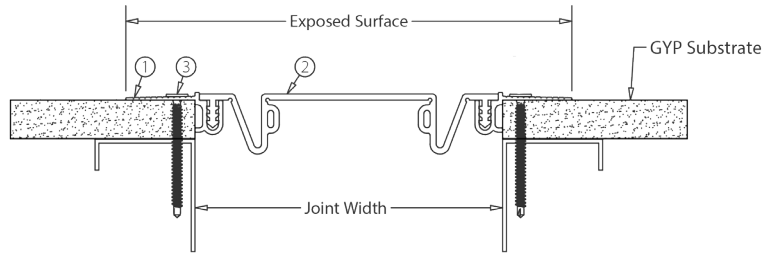
Additional resources

FWF - Wall to Wall

[Buy Online](#)



- 1. Extruded aluminum frame
- 2. Continuous extruded flexible gasket
- 3. Fastener



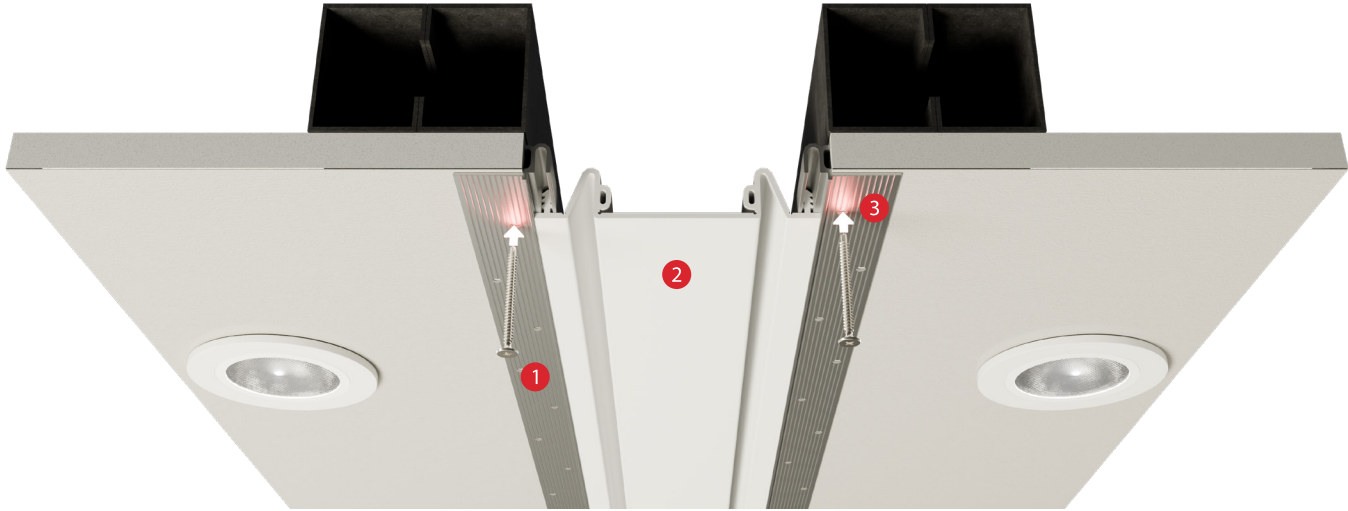
Wall to Wall - Performance Data

MODEL	JOINT WIDTH	MIN. OPENING	MAX. OPENING	EXPOSED SURFACE	BLOCKOUT WIDTH	BLOCKOUT HEIGHT
FWF-100	1.00" (25mm)	0.75" (19mm)	1.25" (32mm)	1.06" (27mm)	N/A	N/A
FWF-200	2.00" (51mm)	1.50" (38mm)	2.50" (64mm)	2.06" (52mm)	N/A	N/A
FWF-300	3.00" (76mm)	1.25" (32mm)	4.50" (114mm)	3.00" (76mm)	N/A	N/A
FWF-400	4.00" (102mm)	1.25" (32mm)	6.00" (152mm)	4.00" (102mm)	N/A	N/A
FWF-500	5.00" (127mm)	1.25" (32mm)	7.50" (191mm)	5.00" (127mm)	N/A	N/A
FWF-600*	6.00" (152mm)	1.75" (44mm)	9.00" (229mm)	6.00" (152mm)	N/A	N/A
FWF-700	7.00" (178mm)	2.50" (64mm)	10.50" (267mm)	7.00" (178mm)	N/A	N/A
FWF-800	8.00" (203mm)	2.50" (64mm)	12.00" (305mm)	8.00" (203mm)	N/A	N/A
FWF-900	9.00" (229mm)	2.50" (64mm)	13.50" (343mm)	9.00" (229mm)	N/A	N/A
FWF-1000	10.00" (254mm)	2.50" (64mm)	15.00" (381mm)	10.00" (254mm)	N/A	N/A

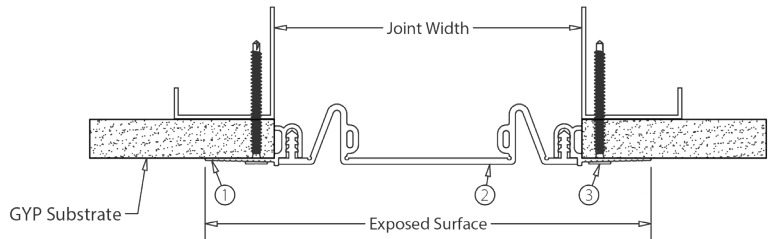
*FWF-600 frames differ in design.

FWF - Ceiling to Ceiling

[Buy Online](#)



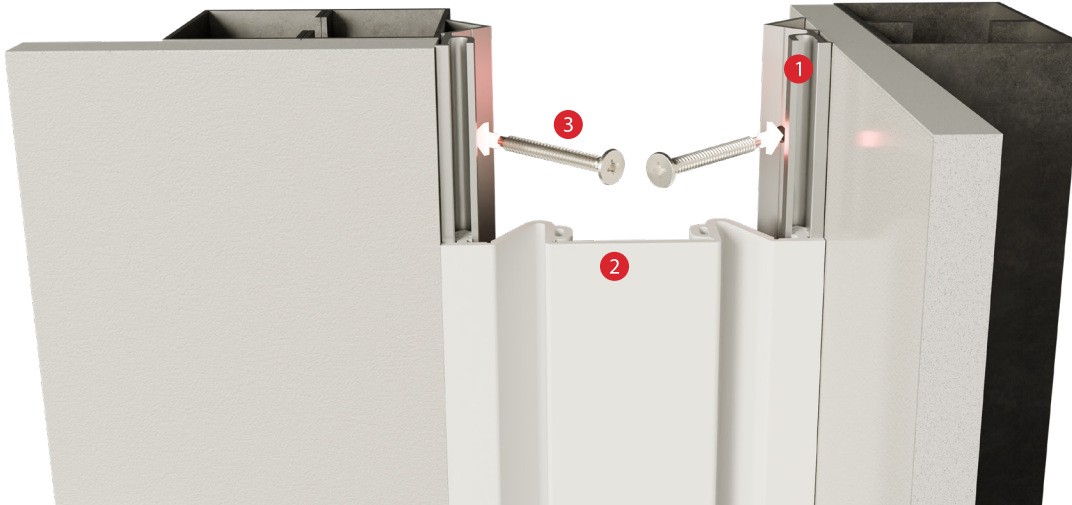
- 1. Extruded aluminum frame
- 2. Continuous extruded flexible gasket
- 3. Fastener



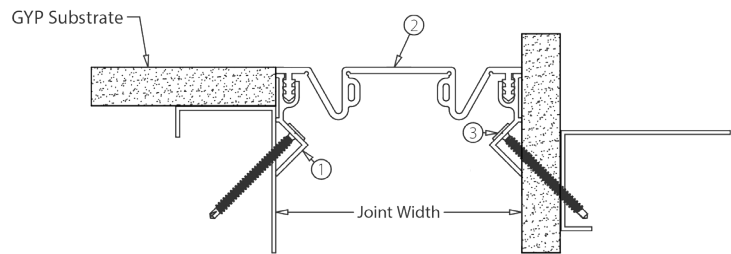
Ceiling to Ceiling - Performance Data

MODEL	JOINT WIDTH	MIN. OPENING	MAX. OPENING	EXPOSED SURFACE	BLOCKOUT WIDTH	BLOCKOUT HEIGHT
FWF-100	1.00" (25mm)	0.75" (19mm)	1.25" (32mm)	1.06" (27mm)	N/A	N/A
FWF-200	2.00" (51mm)	1.50" (38mm)	2.50" (64mm)	2.06" (52mm)	N/A	N/A
FWF-300	3.00" (76mm)	1.25" (32mm)	4.50" (114mm)	3.00" (76mm)	N/A	N/A
FWF-400	4.00" (102mm)	1.25" (32mm)	6.00" (152mm)	4.00" (102mm)	N/A	N/A
FWF-500	5.00" (127mm)	1.25" (32mm)	7.50" (191mm)	5.00" (127mm)	N/A	N/A
FWF-600*	6.00" (152mm)	1.75" (44mm)	9.00" (229mm)	6.00" (152mm)	N/A	N/A
FWF-700	7.00" (178mm)	2.50" (64mm)	10.50" (267mm)	7.00" (178mm)	N/A	N/A
FWF-800	8.00" (203mm)	2.50" (64mm)	12.00" (305mm)	8.00" (203mm)	N/A	N/A
FWF-900	9.00" (229mm)	2.50" (64mm)	13.50" (343mm)	9.00" (229mm)	N/A	N/A
FWF-1000	10.00" (254mm)	2.50" (64mm)	15.00" (381mm)	10.00" (254mm)	N/A	N/A

FWFC - Wall to Wall Corner



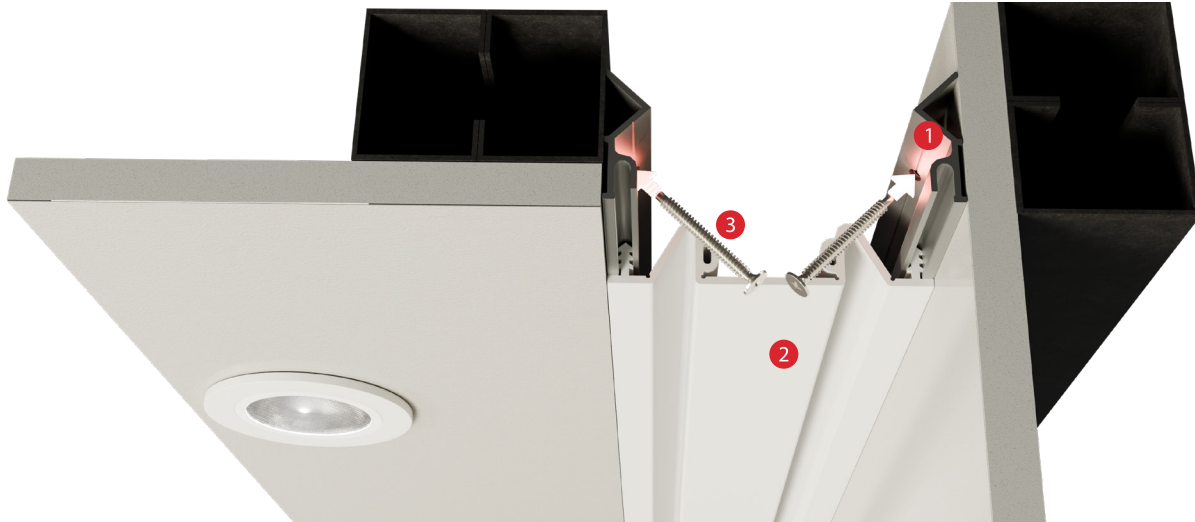
- 1. Extruded aluminum frame
- 2. Continuous extruded flexible gasket
- 3. Fastener



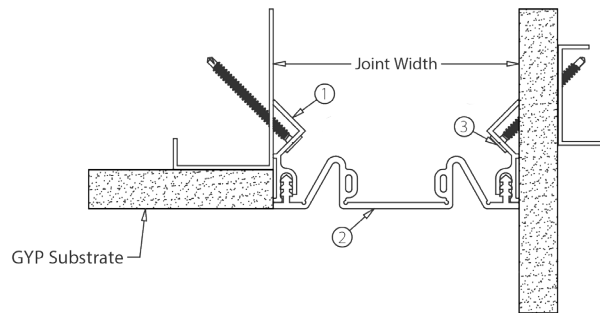
Wall to Wall Corner - Performance Data

MODEL	JOINT WIDTH	MIN. OPENING	MAX. OPENING	EXPOSED SURFACE	BLOCKOUT WIDTH	BLOCKOUT HEIGHT
FWFC-100	1.00" (25mm)	0.75" (19mm)	1.25" (32mm)	1.06" (27mm)	N/A	N/A
FWFC-200	2.00" (51mm)	1.50" (38mm)	2.50" (64mm)	2.06" (52mm)	N/A	N/A
FWFC-300	3.00" (76mm)	1.25" (32mm)	4.50" (114mm)	3.00" (76mm)	N/A	N/A
FWFC-400	4.00" (102mm)	1.25" (32mm)	6.00" (152mm)	4.00" (102mm)	N/A	N/A
FWFC-500	5.00" (127mm)	1.25" (32mm)	7.50" (191mm)	5.00" (127mm)	N/A	N/A
FWFC-600	6.00" (152mm)	1.75" (44mm)	9.00" (229mm)	6.00" (152mm)	N/A	N/A
FWFC-700	7.00" (178mm)	2.50" (64mm)	10.50" (267mm)	7.00" (178mm)	N/A	N/A
FWFC-800	8.00" (203mm)	2.50" (64mm)	12.00" (305mm)	8.00" (203mm)	N/A	N/A
FWFC-900	9.00" (229mm)	2.50" (64mm)	13.50" (343mm)	9.00" (229mm)	N/A	N/A
FWFC-1000	10.00" (254mm)	2.50" (64mm)	15.00" (381mm)	10.00" (254mm)	N/A	N/A

FWFC - Ceiling to Wall



- 1. Extruded aluminum frame
- 2. Continuous extruded flexible gasket
- 3. Fastener



Ceiling to Wall - Performance Data

MODEL	JOINT WIDTH	MIN. OPENING	MAX. OPENING	EXPOSED SURFACE	BLOCKOUT WIDTH	BLOCKOUT HEIGHT
FWFC-100	1.00" (25mm)	0.75" (19mm)	1.25" (32mm)	1.06" (27mm)	N/A	N/A
FWFC-200	2.00" (51mm)	1.50" (38mm)	2.50" (64mm)	2.06" (52mm)	N/A	N/A
FWFC-300	3.00" (76mm)	1.25" (32mm)	4.50" (114mm)	3.00" (76mm)	N/A	N/A
FWFC-400	4.00" (102mm)	1.25" (32mm)	6.00" (152mm)	4.00" (102mm)	N/A	N/A
FWFC-500	5.00" (127mm)	1.25" (32mm)	7.50" (191mm)	5.00" (127mm)	N/A	N/A
FWFC-600	6.00" (152mm)	1.75" (44mm)	9.00" (229mm)	6.00" (152mm)	N/A	N/A
FWFC-700	7.00" (178mm)	2.50" (64mm)	10.50" (267mm)	7.00" (178mm)	N/A	N/A
FWFC-800	8.00" (203mm)	2.50" (64mm)	12.00" (305mm)	8.00" (203mm)	N/A	N/A
FWFC-900	9.00" (229mm)	2.50" (64mm)	13.50" (343mm)	9.00" (229mm)	N/A	N/A
FWFC-1000	10.00" (254mm)	2.50" (64mm)	15.00" (381mm)	10.00" (254mm)	N/A	N/A

FWF Series

Material Details

- Aluminum extrusions made from multiple alloys & tempers established to be the most appropriate for the given use of individual parts. Will be one of the following:
 - (6063-T5, T6, T52) (6061-T5, T6, T51) (6105-T5, T6) (6005-T5) (6005A-T5, T61), ASTM B221
- Seal Material
 - Santoprene-TPV 8201-70 (Colors 232 White, 270 Greige, 764 Platinum)
 - Santoprene-TPV 8221-70 (Colors 108 Black, 136 Gray)
- Single Durometer - 65 Shore A, ASTM D2000