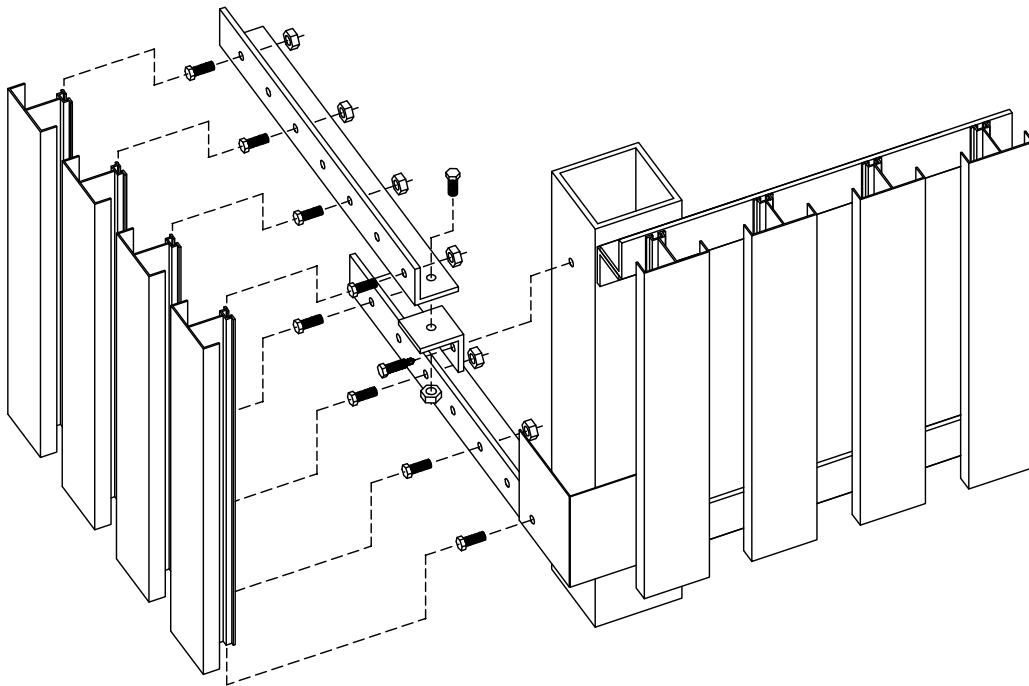



# MODEL VC-500M



Revisions				Drawn By	Job:	
No.		Date	By	Checked By	Contr.:	
				Date Approv	Arch't.:	
				Scale	Agent:	
				Date	Sheet Of	
					 <b>CONSTRUCTION SPECIALTIES, INC.</b> 49 MEEKER AVENUE, CRANFORD, NEW JERSEY	Drawing No.

THIS DOCUMENT IS THE PROPERTY OF CONSTRUCTION SPECIALTIES, INC. AND CONTAINS CONFIDENTIAL PROPRIETARY INFORMATION THAT IS NOT TO BE DISCLOSED TO THIRD PARTIES AND IS NOT TO BE USED WITHOUT APPROVAL IN WRITING FROM CONSTRUCTION SPECIALTIES, INC.