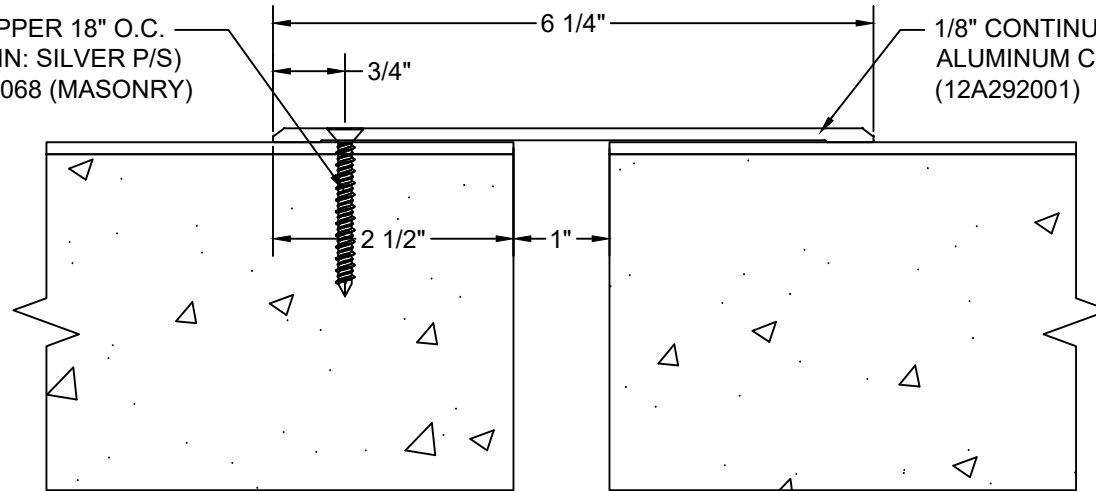


3/16"x1 3/4" TAPPER 18" O.C.  
 (90H236004) (FIN: SILVER P/S)  
 ICC-ES#-ESR-3068 (MASONRY)



1/8" CONTINUOUS EXTRUDED  
 ALUMINUM COVER PLATE  
 (12A292001)

# Model: PC2G-100

**CS** **Construction Specialties**<sup>®</sup>  
[www.c-sgroup.com](http://www.c-sgroup.com)  
 6696 Route 405 Highway, Muncy, PA 17756  
 Phone: (800) 233-8493 / Fax: (570) 546-8022  
 895 Lakefront Promenade, Mississauga, Ontario L5E 2C2 Canada  
 Phone: (888) 895-8955 / Fax: (905) 274-6241

© Copyright 2018 Construction Specialties, Inc.

<b>PROJECT:</b>	<b>SCALE:</b> NTS
<b>CUSTOMER:</b>	<b>DATE:</b>
<b>LOCATION:</b>	<b>JOB NO.:</b>
<b>DRAWN BY:</b>	<b>SHEET NO.:</b>