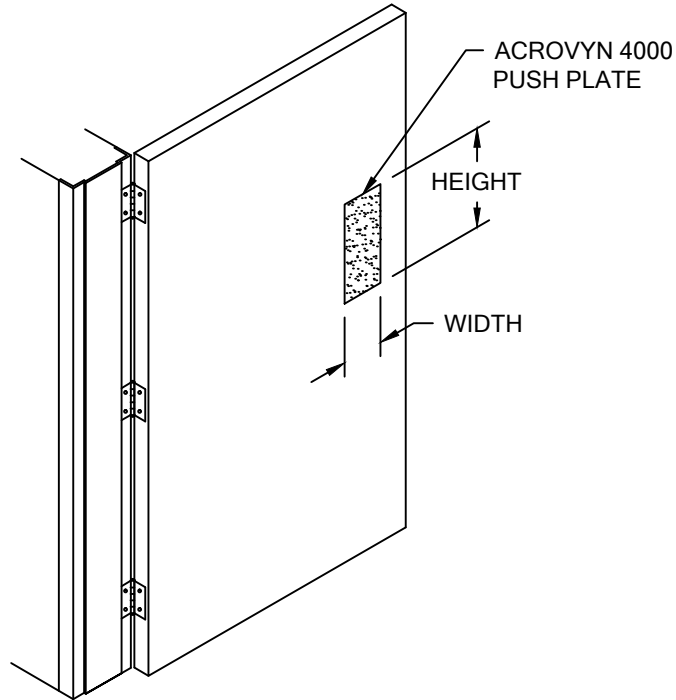


COLOR: _____
 PUSH PLATE: _____
 COLOR TO BE SELECTED FROM ONE OF C/S STANDARD COLORS.

UNITS REQ'D	HEIGHT	WIDTH


NOTES:

1. ACROVYN 4000 PUSH PLATES SUPPLIED STANDARD WITH BEVELED EDGES.
2. FIRE RATING HEAT STAMP LOCATED ON FACE OF PUSH PLATE.



PUSH PLATES ACROVYN 4000

CONDITION	SPECIFIED FASTENER	QUANTITY	C/S PART NUMBER
WOOD & METAL DOORS	DOUBLE SIDED TAPE	FACTORY APPLIED	90M181002
WOOD & METAL DOORS	FASTBOND 30 ADHESIVE	5 GALLON 1 GALLON 1 QUART	90M016001 90M014001 90M015001

 <p>Construction Specialties™ 6696 Route 405 Highway, Muncy PA 17756 (800) 233-8493 • Fax (570) 546-4692 • www.c-sgroup.com</p>	PROJECT:	REVISION:
	JOB NO.:	F&F:
	CUSTOMER:	
	REP:	DATE:
	DRAWN BY:	SHEET NO: