

Insulated Core Explosion Relief Panel



Model ERP-IC Bottom Hinged

This aluminum wall mounted system features a resettable magnetic latch that can be calibrated to release at a specified range, an R9-16 insulated core, and can be top or bottom hinged. The smooth beveled surfaces reduce dust and are easy to clean - which is key to eliminating secondary explosions.

Advantages

- Top or bottom hinge
- Permanent magnetic latch releases at specified range
- Field testable and resettable
- Rotating hold open device protects the structure and allows super-heated gases to cool
- Quick venting mitigates dangerous overpressures
- Lightweight, low inertia design
- Non-industrial appearance
- Easy to clean
- R9-16 insulated core
- FM approved with approved fasteners

Applications

- Facilities handling hazardous materials that require adequate safeguards against explosions

Insulated Core Explosion Relief Panel

Product Details

- Sizes range from 2' x 2' (0.61m x 0.61m) up to 4' x 8' (1.22m x 2.44m)
- Standard release setting is 20-30 lb/ft²

Certifications/Testing

- Meets NFPA 68 Guide for Venting of Deflagrations and major building and fire code requirements

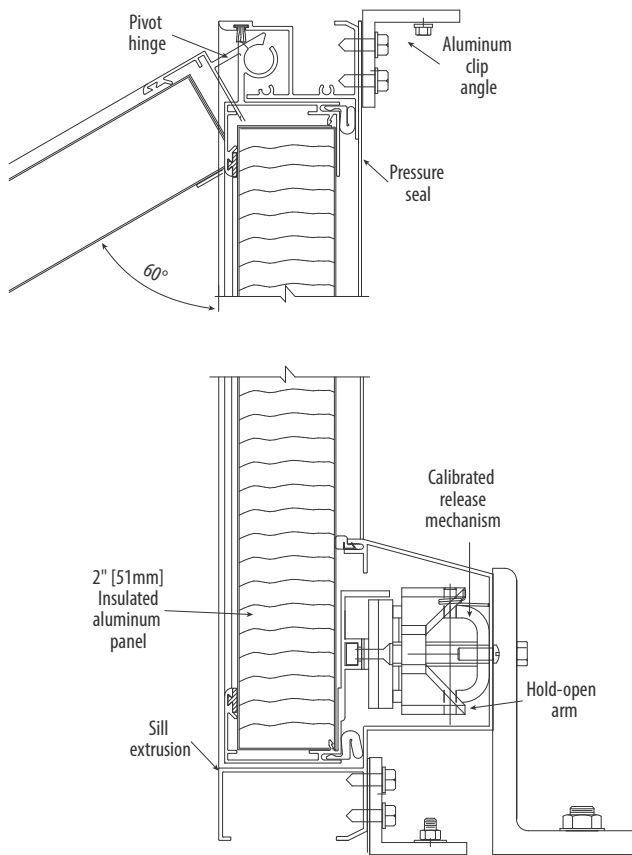
Finish Options



See all finish options online at c-sgroup.com.

Warranty

- Standard Limited Warranty



Learn More →