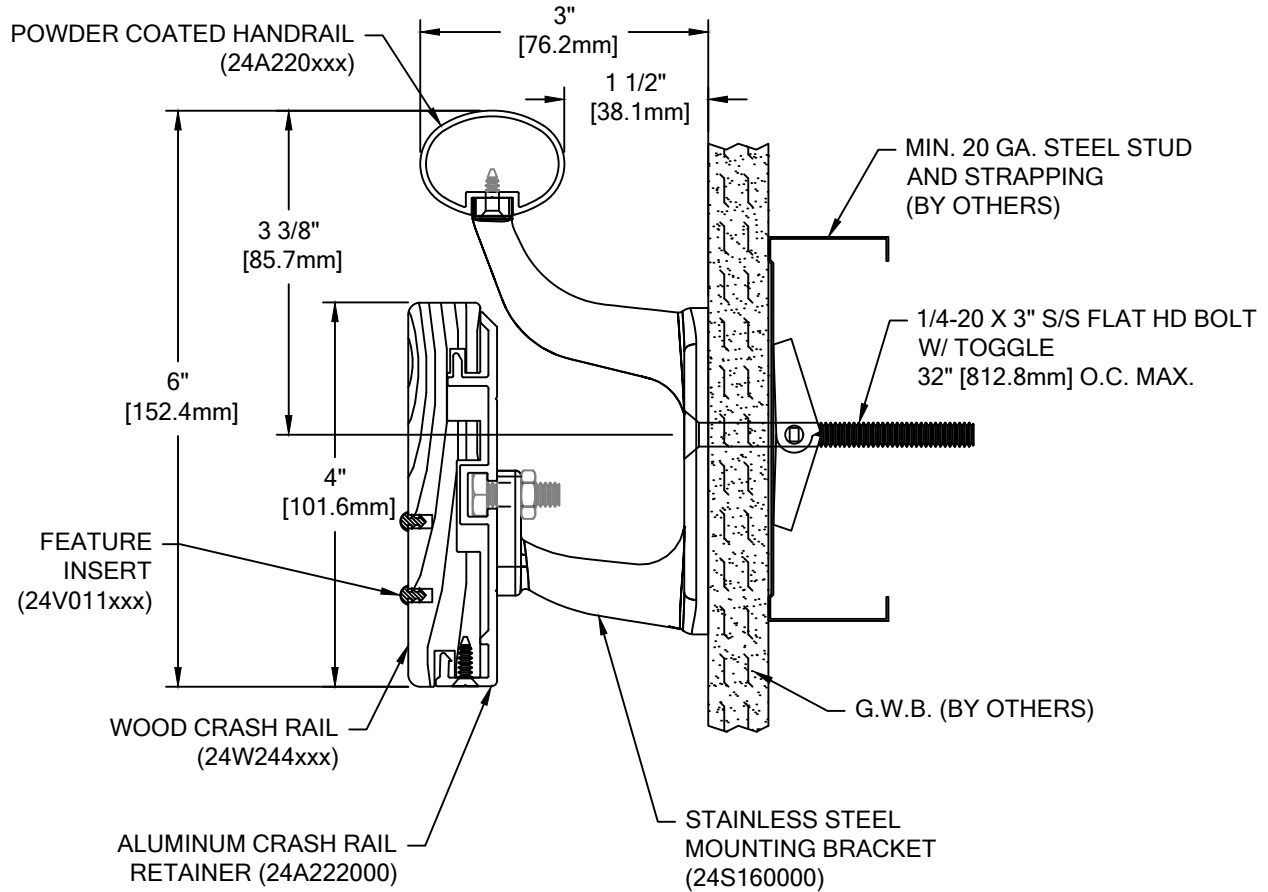



COLOR: _____
 TOP RAIL: _____
 BOTTOM RAIL WOOD SPECIES: _____
 BOTTOM RAIL WOOD FINISH: _____
 *BRACKETS: _____
 COLOR TO BE SELECTED FROM ONE OF C/S STANDARD COLORS.
 *BRACKETS ARE AVAILABLE WITH AN OPTIONAL POWDER COAT FINISH.
 PLEASE ADVISE POWDER COAT FINISH IF REQUIRED.
 FEATURE INSERT COLOR: _____

| TOTAL L/F REQ'D | LEFT END CAPS | RIGHT END CAPS | O.S. REQ'D |
|-----------------|---------------|----------------|------------|
| | | | |
| | | | |
| | | | |



P-OMWV

| WALL CONDITION | SPECIFIED FASTENER | DRILL DIAMETERS | | C/S PART NUMBER |
|---|---|-----------------|----------|-----------------|
| | | WALL | RETAINER | |
| STEEL STUD/GYPSUM WALL | 1/4-20 X 3" S/S FLAT HEAD BOLT WITH TOGGLE | 3/4" | N/A | 90H184002 |
| CONCRETE/CONCRETE BLOCK | 1/4" X 1 3/4" S/S FLAT HEAD MASONRY ANCHOR | 3/16" | N/A | 90H390000 |
| WOOD STUD/GYPSUM WALL | #14 X 3" S/S PHILLIPS FLAT HEAD WOOD SCREW | 7/32 | N/A | 90H538004 |
| 16 GA. MIN. STEEL STUD AND 16 GA. MIN. STEEL STRAPPING / GYPSUM WALL CONSTRUCTION REQUIRED (TEK SCREWS) | #14 X 3" PHILLIPS FLAT HEAD SELF DRILLING S/S TEK SCREW | N/A | N/A | 90H230003 |

| | | |
|--|------------------|------------------|
|  Hughesville, PA 800.233.8493 570.546.5941 Mississauga, ON 888.895.8955 905.274.3611 www.c-sgroup.com © Copyright 2018 Construction Specialties, Inc. | PROJECT: | REVISION: |
| | JOB NO.: | F&F: |
| | CUSTOMER: | |
| | REP: | DATE: |
| | DRAWN BY: | SHEET NO: |