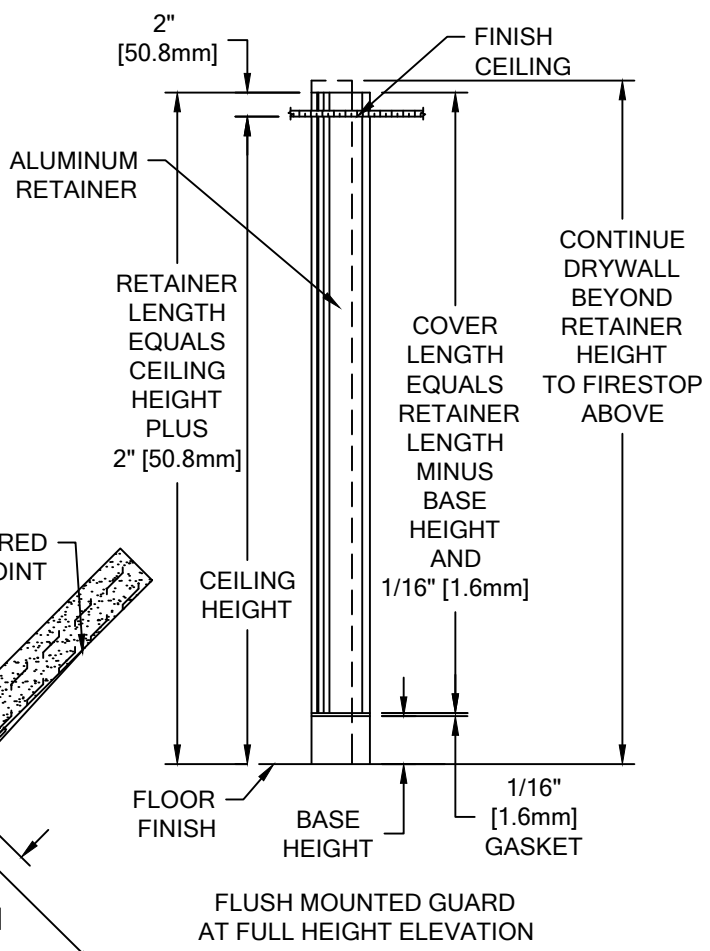
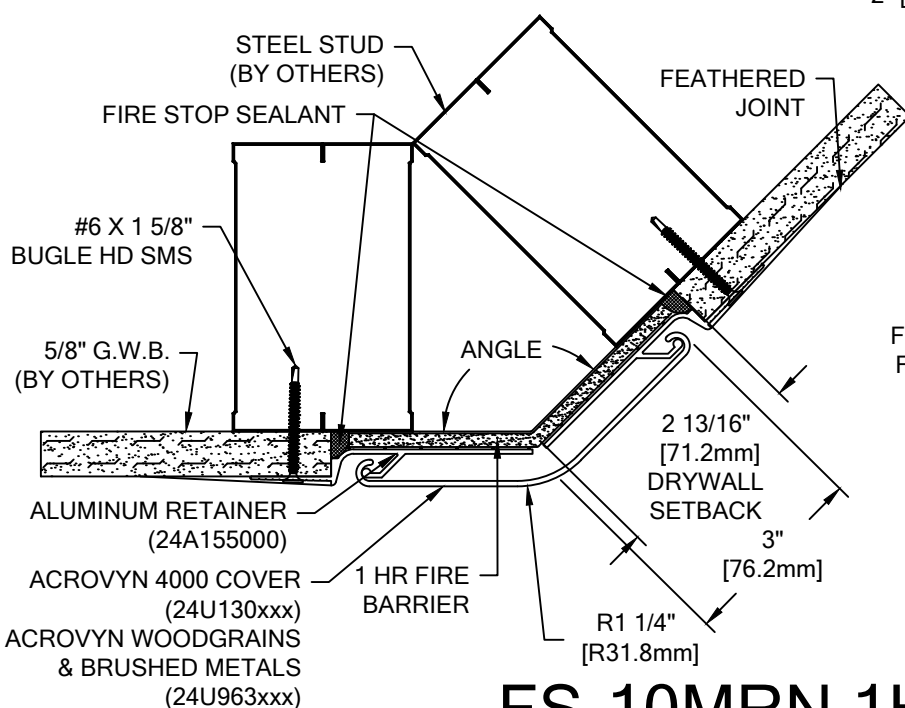


COLOR: _____
 CORNER GUARD: _____
 COLOR TO BE SELECTED FROM ONE OF CS STANDARD COLORS.

UNITS REQ'D	CEILING HGT.	RET. LEN.	COVER LEN.	BASE HGT.	ANGLE

NOTES:

- UNITS TO BE FURNISHED IN LENGTHS TO ACCOMMODATE THE SPECIFIED CEILING HEIGHT, WITH 2" ADDED FOR FIELD VARIATIONS. WHERE POSSIBLE, THIS 2" SHOULD EXTEND INTO THE CEILING.
- A MINIMUM 24 GA. CHANNEL STUD MUST BE SECURELY ANCHORED TOP AND BOTTOM TO INSURE POSITIVE ATTACHMENT OF ALUMINUM RETAINERS. IF TRUSS STUDS ARE USED, CHANNEL STUDS MUST BE USED AT CORNER.
- ANGLES ONLY AVAILABLE BETWEEN 60° - 160°.



FS-10MRN 1HR ACROVYN 4000

WALL CONDITION	SPECIFIED FASTENER	DRILL DIAMETERS		CS PART NUMBER
		WALL	RETAINER	
STEEL STUD/GYPSUM WALL WOOD STUD/GYPSUM WALL	#6 X 1 5/8" BUGLE HEAD SMS	N/A	N/A	90H079002

Hughesville, PA | 800.233.8493 | 570.546.5941
 Mississauga, ON | 888.895.8955 | 905.274.3611
www.c-sgroup.com

© Copyright 2018 Construction Specialties, Inc.

PROJECT:	REVISION:
JOB NO.:	F&F:
CUSTOMER:	
REP:	DATE:
DRAWN BY:	SHEET NO: