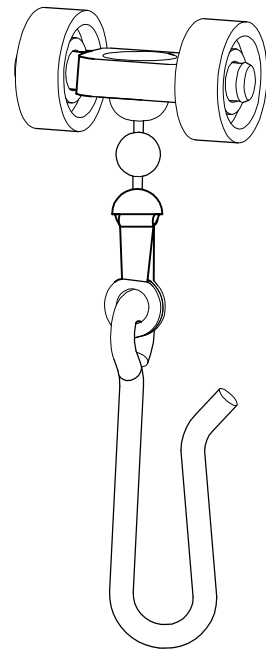
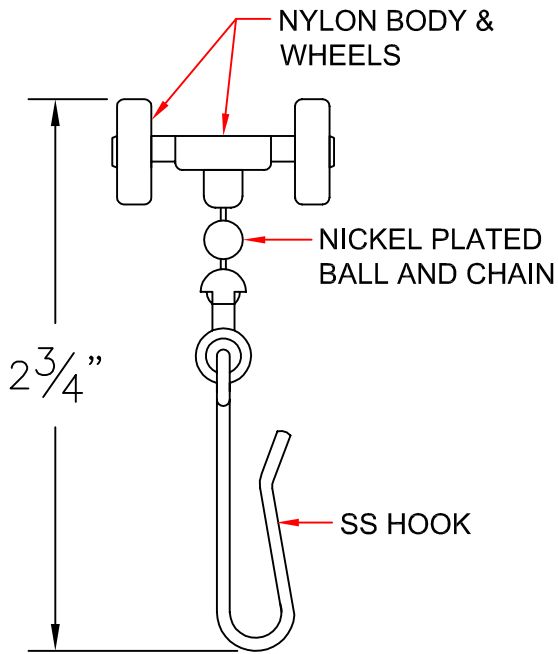
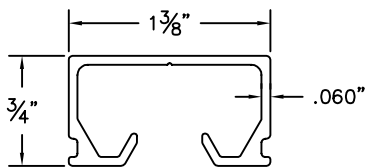
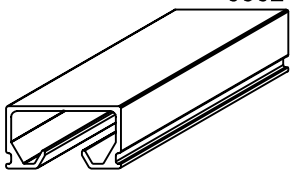


1062N CARRIER



6062 CUBICLE TRACK



DRAWING BY: CDL

DATE: 10/5/2016

CS™ Cubicle Curtains