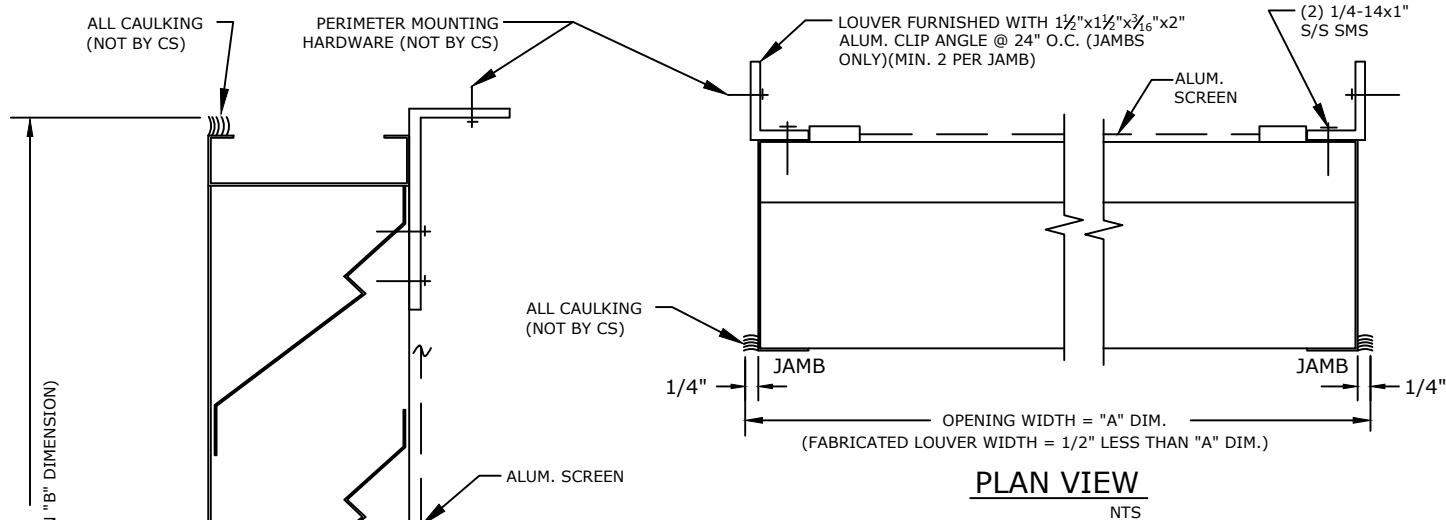
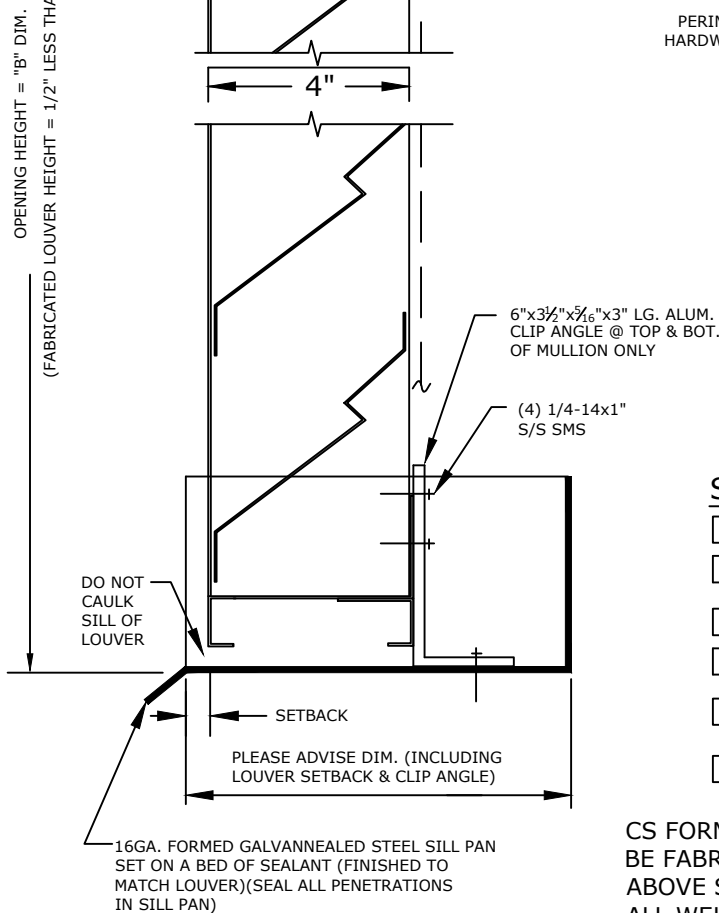


# STEEL LOUVER MODEL GS-410



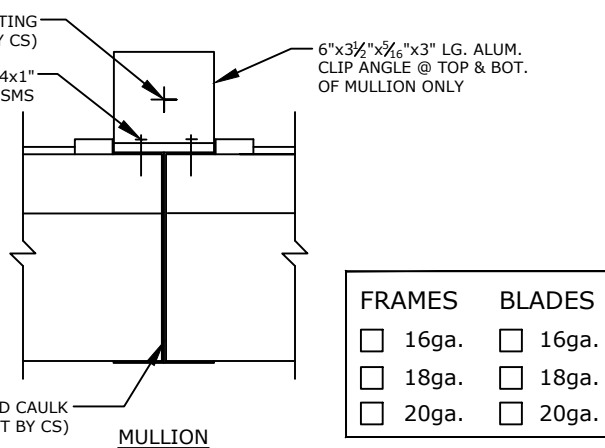
**PLAN VIEW**

NTS



**VERTICAL SECTION**

NTS



FRAMES	BLADES
<input type="checkbox"/> 16ga.	<input type="checkbox"/> 16ga.
<input type="checkbox"/> 18ga.	<input type="checkbox"/> 18ga.
<input type="checkbox"/> 20ga.	<input type="checkbox"/> 20ga.

**SCREENS**

- SCREEN NOT REQUIRED
- SCREEN REQUIRED
- INTERIOR MOUNTED
- EXTERIOR MOUNTED
- BIRDSCREEN: 1/2" MESH .063 DIA. ALUM. WIRE (MILL FINISH)
- INSECT SCREEN: 18x16 ALUM. MESH (MILL FINISH)

**FINISHES**

- STANDARD MILL
- FLUOROPOLYMER POWDER COAT (NOT AVAILABLE IN 600XL OR 700)
- KYNAR (500),(600XL) or (700)
- (1) OF CS STD. COLORS
- CUSTOM COLOR, CS REQUIRES A COLOR CHIP FOR MATCHING
- OTHER \_\_\_\_\_

CS FORMED LOUVER MODEL GS-410. BLADES AND FRAMES TO BE FABRICATED FROM GALVANNEALED STEEL. UNLESS SPECIFIED ABOVE STANDARD BLADE AND FRAME THICKNESS TO BE 20 GA. ALL WELDED CONSTRUCTION. ALL FASTENERS TO BE STAINLESS STEEL. UNSUPPORTED BLADE LENGTH = @ PSF.

MARK	QTY.	"A" DIM.	"B" DIM.	NUMBER OF MULLIONS	LOCATION	REMARKS

**Construction Specialties, Inc.**  
3 Werner Way  
Lebanon, New Jersey 08833  
(800) 233-8493

PROJECT:	CKD. BY:
CUSTOMER:	DRAWN BY:
ARCH'T:	DATE:
AGENT:	DWG. NO:
	SHEET OF