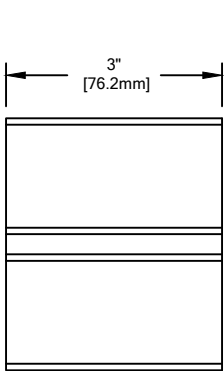
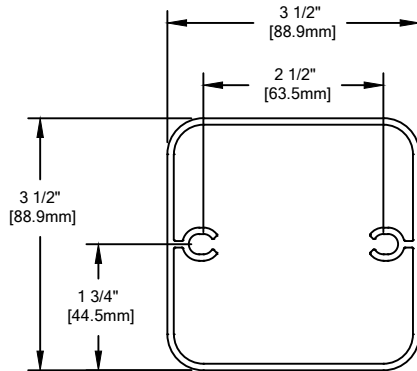


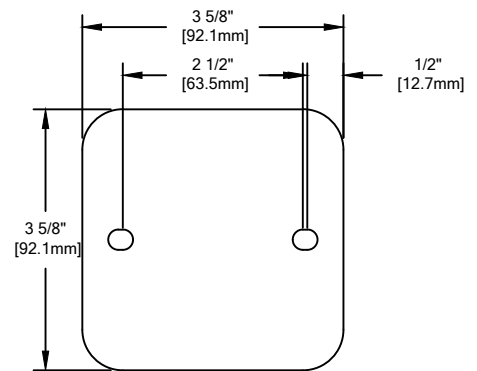
RAIL: ALUMINUM RAIL 10'-0" LONG PART# 24A295000	BRACKETS: STANDARD TUBE BRACKET 3" LONG BRACKET PART #24F067003 NO. BRACKETS REQUIRED:	BRACKETS: EXTRUSION PART #: 24A170001	GASKETS: GASKET PART #: 24F068004 NO. GASKETS REQUIRED:	WALL MOUNT HARDWARE: 1/4-20 x 6" S/S PH FL HD MS (90H307002) 1/4-20 TOGGLE (90H019004)
QTY:	QTY:	QTY:	QTY:	QTY:



ECR-32 3" TUBE BRACKET
CUT FROM 24A170000



ECR-32 TUBE BRACKET
MATERIAL: ALUMINUM
MATERIAL THICKNESS: .090 TYP



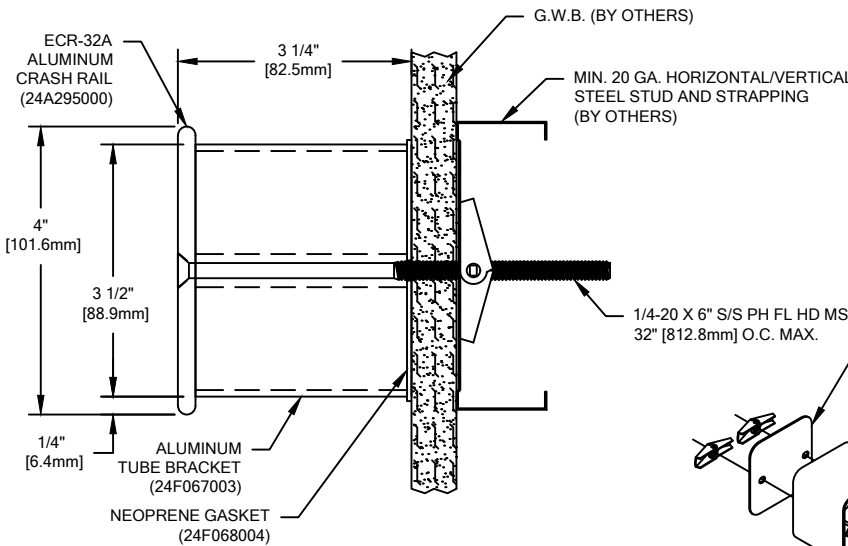
ECR-32 1/16" THICK GASKET
MATERIAL: 1/16" THICK NEOPRENE
RUBBER (12V039108)

CONTRACTOR NOTES:

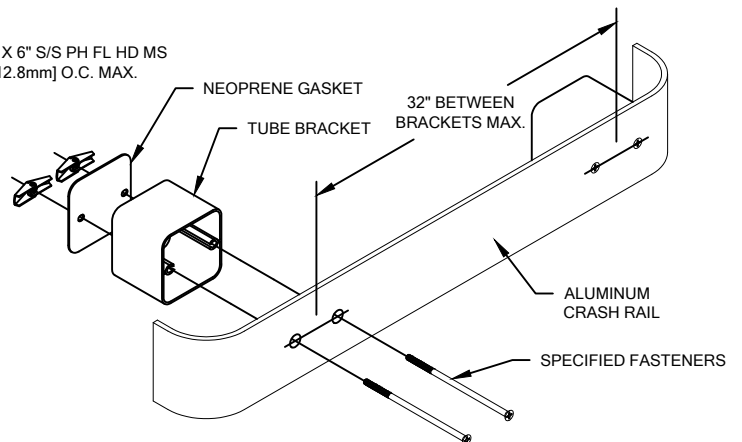
1. ALL DIMENSIONS MUST BE FIELD VERIFIED TO A 1/16" TOLERANCE.
2. DIMENSIONS TO BE OBTAINED AT THE ELEVATION OF MATERIAL LOCATION. ALSO, MOUNTING CONDITION TO BE VERIFIED. FABRICATION CANNOT BEGIN WITHOUT THIS INFO.
3. SOME DIMENSIONS SMALLER THAN 16" MAY BE TOO SMALL TO FABRICATE.


NOTES:

1. ALL RAIL TO BE SUPPLIED PREFABRICATED TO REQUIRED LENGTH. ALL CORNERS AND END CAPS TO BE FACTORY FORMED TO SUIT FIELD CONDITIONS.
2. ALL UNITS TO BE PRE-DRILLED FOR ATTACH. HOLE SPACING TO BE DETERMINED BY UNIT LENGTH, SPACING NOT TO EXCEED 32" ON CENTER.
3. ALL MOUNTING HARDWARE TO BE SUPPLIED FOR FIELD ASSEMBLY AND INSTALLATION.
4. MATERIAL:
CS ECR-32A CRASH RAIL SHALL BE MANUFACTURED FROM A 4" WIDE X 1/4" THICK ALUMINUM EXTRUSION, #4 SATIN FINISH DESIGNED FOR ELASTIC DEFORMATION UNDER IMPACT WITHOUT DAMAGING THE WALL TO WHICH IT HAS BEEN MOUNTED.
5. FINISH:
THE ECR-32A CRASH RAIL SHALL BE FURNISHED WITH A 120 GRIT MECHANICAL & A 204RL1 CLEAR ANODIZE FINISH



ECR-32A
"TUBE" BRACKET



 <p>Hughesville, PA 800.233.8493 570.546.5941 Mississauga, ON 888.895.8955 905.274.3611 www.c-sgroup.com</p> <p>© Copyright 2017 Construction Specialties, Inc.</p>	PROJECT:	REVISION:
	JOB NO.:	F&F:
	CUSTOMER:	
	REP:	DATE:
	DRAWN BY:	SHEET NO: