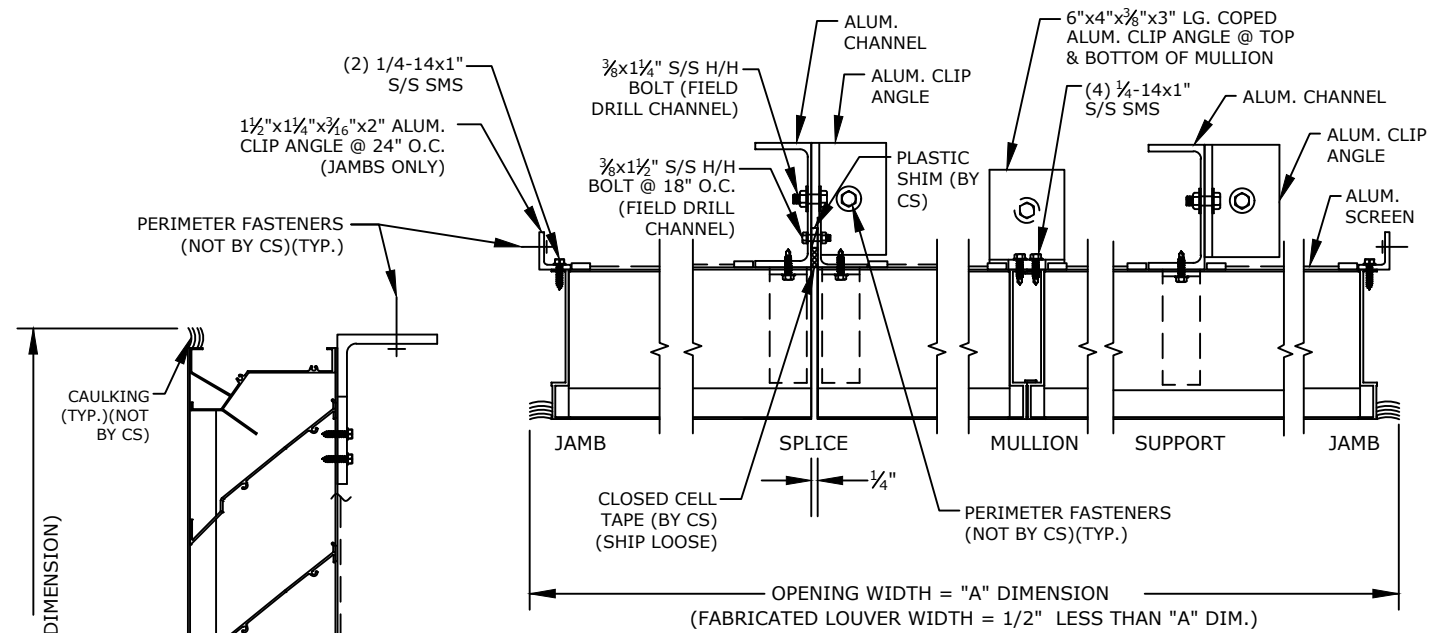
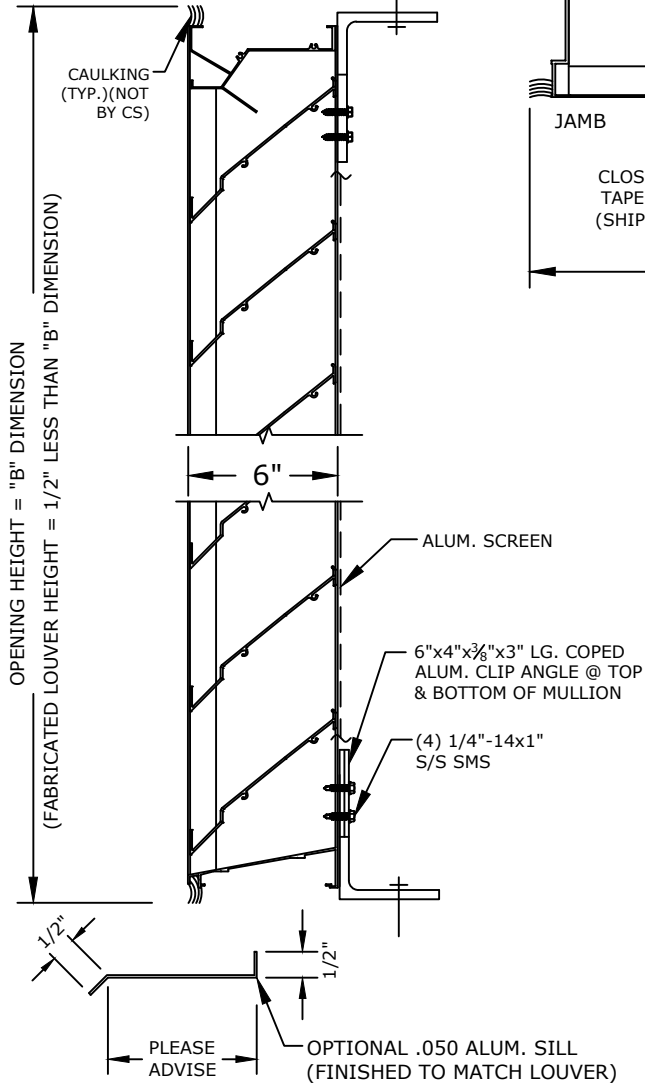


6" DRAINABLE HORIZONTAL LOUVER MODEL A6177



PLAN VIEW

NTS



VERTICAL SECTION

NTS

SCREENS

- SCREEN NOT REQUIRED
- SCREEN REQUIRED
- INTERIOR MOUNTED
- EXTERIOR MOUNTED
- BIRDSCREEN: 1/2" MESH .063 DIA. ALUM. WIRE (MILL FINISH)
- INSECT SCREEN: 18x16 ALUM. MESH (MILL FINISH)

FINISHES

- STANDARD MILL
- FLUOROPOLYMER POWDER COAT (NOT AVAILABLE IN 600XL OR 700)
- KYNAR (500),(600XL)or(700)
- (1) OF CS STD. COLORS
- CUSTOM COLOR, CS REQUIRES A COLOR CHIP FOR MATCHING
- BRONZE ANODIC (DARK OR MED.)
- CLEAR ANODIZE
- OTHER _____

CS EXTRUDED ALUMINUM DRAINABLE LOUVER MODEL A6177. FRAMES AND BLADES TO BE FABRICATED FROM 6063-T6 ALLOY WITH REINFORCING BOSSES. ALL FASTENERS TO BE STAINLESS STEEL

UNSUPPORTED BLADE LENGTH = @ PSF.

MARK	QTY.	"A" DIM.	"B" DIM.	NUMBER OF MULLIONS	NUMBER OF SUPPORTS	NUMBER OF SPLICES	LOUVER LOCATION	REMARKS

Construction Specialties, Inc.
 3 Werner Way
 Lebanon, New Jersey 08833
 (800) 233-8493

PROJECT:	DRAWN BY:	CKD. BY:
CUSTOMER:	DATE:	
ARCH'T:	DWG. NO:	
AGENT:	SHEET OF	