

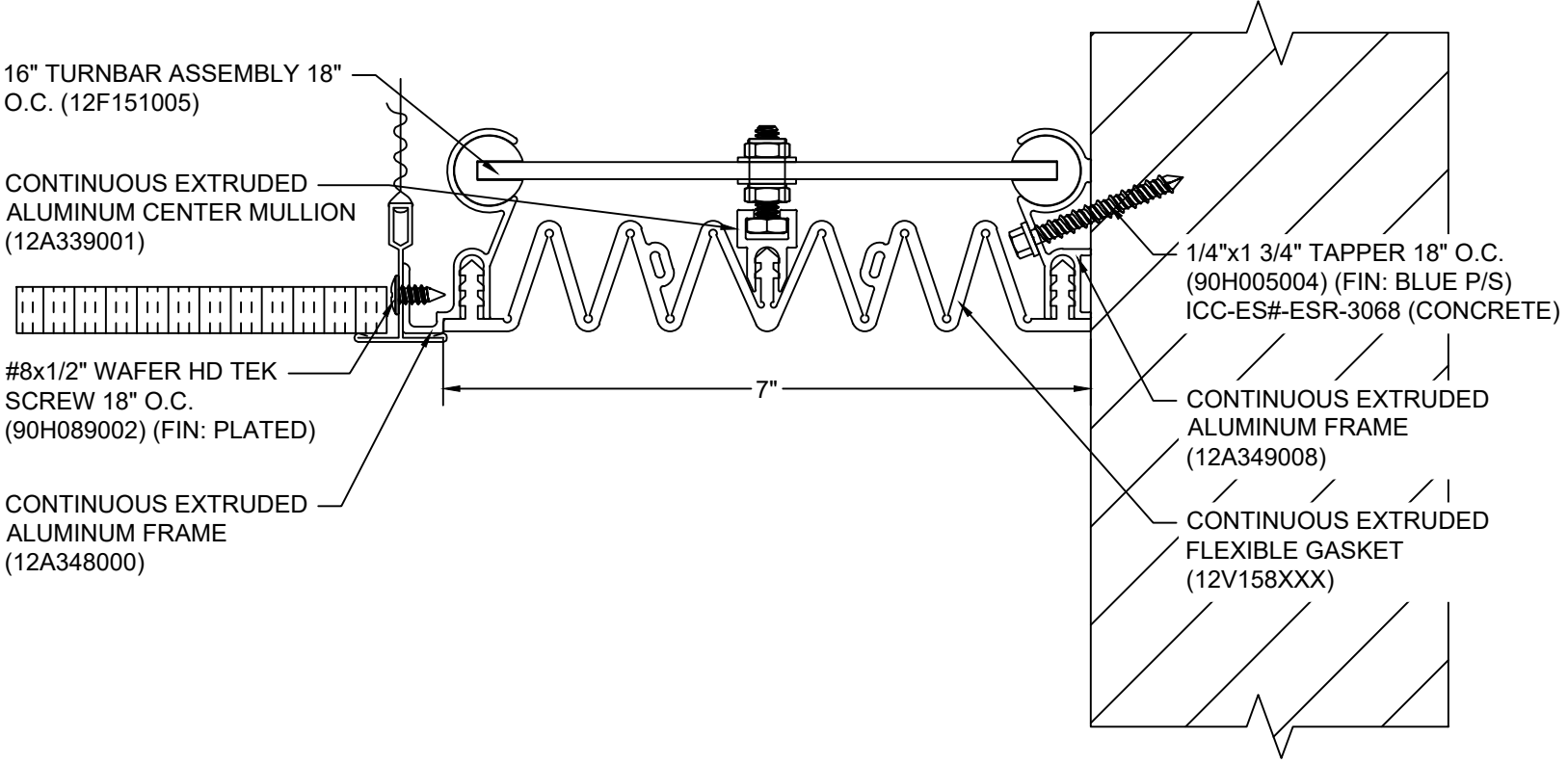
108 BLACK	232 WHITE	<b>AVAILABLE COLORS:</b>	270 GREIGE	136 GRAY
		*** CUSTOM COLORS ARE AVAILABLE AT AN ADDITIONAL CHARGE, SUBJECT TO MINIMUM QUANTITIES. ***		

16" TURNBAR ASSEMBLY 18" O.C. (12F151005)

CONTINUOUS EXTRUDED ALUMINUM CENTER MULLION (12A339001)

#8x1/2" WAFER HD TEK SCREW 18" O.C. (90H089002) (FIN: PLATED)

CONTINUOUS EXTRUDED ALUMINUM FRAME (12A348000)



1/4"x1 3/4" TAPPER 18" O.C. (90H005004) (FIN: BLUE P/S) ICC-ES#-ESR-3068 (CONCRETE)

CONTINUOUS EXTRUDED ALUMINUM FRAME (12A349008)

CONTINUOUS EXTRUDED FLEXIBLE GASKET (12V158XXX)

# Model: FCSC-700

**Construction Specialties**<sup>®</sup>  
[www.c-sgroup.com](http://www.c-sgroup.com)  
 6696 Route 405 Highway, Muncy, PA 17756  
 Phone: (800) 233-8493 / Fax: (570) 546-8022

895 Lakefront Promenade, Mississauga, Ontario L5E 2C2 Canada  
 Phone: (888) 895-8955 / Fax: (905) 274-6241



© Copyright 2016 Construction Specialties, Inc.

PROJECT:	SCALE: NTS
CUSTOMER:	DATE:
LOCATION:	JOB NO.:
DRAWN BY:	SHEET NO.: