

Kick and Push Plates

Resilient Acrovyn® kick plates and push plates provide added protection for interior doors. They are cut to customer specified dimensions and come with a beveled finish edge on all four sides. Acrovyn kick plates and push plates are available in Acrovyn as well as stainless steel and polycarbonate options.

Advantages

- Added protection for interior doors, prolonging the life of the door
- Entirely customizable, from size and shape to finish options, to meet any aesthetic need
- Custom graphic patterns can be created utilizing Acrovyn by Design® for an elevated design option
- Factory-beveled edges on all sides for softer edges

Applications

- Areas looking for low-cost protection for interior doors against daily wear and tear, including back-of-house, hallways, conference spaces, etc.

Building Segments

- Healthcare
- Senior Living
- Education
- Hospitality
- Retail
- Sports & Entertainment
- Aviation & Transportation



Kick and Push Plates

Product Details

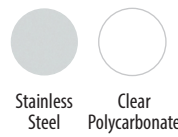
- Self-adhesive tape mount (polycarbonate option mechanically fastened)
- PVC-free Acrovyn in suede texture
- Specify .040" (1.02mm) or .060" (1.52mm) thick Acrovyn sheet (Acrovyn by Design .040" only)
- Available in .060" (1.5mm) thick clear polycarbonate
- Available in .0625" (1.6mm) thick stainless steel sheet, 14, 16, 18, or 20 gauge (type 304 stainless steel alloy)
- Material cut to specified dimensions from 4' x 8' (1.2m x 2.4m) or 4' x 10' (1.2m x 3.0m) sheet
- Supplied with 1" (25.4mm) clearance at both jambs
- Fire rating heat stamp located on face

Acrovyn Finish Options



Solid Colors Woodgrains Brushed Metals Acrovyn by Design

Other Finish Options



Stainless Steel Clear Polycarbonate

See all finish options online at c-sgroup.com.

Certifications / Testing

- Resistant to certain bacterial & fungal growth (per ASTM G 22-76 & G 21-96)
- Chemical resistant (per ASTM D543-06)
- Taber abrasion resistant (per ASTM D 4060-07) (suede & shadowgrain textures only)
- Fire test standards: UL-10C (Acrovyn models only)

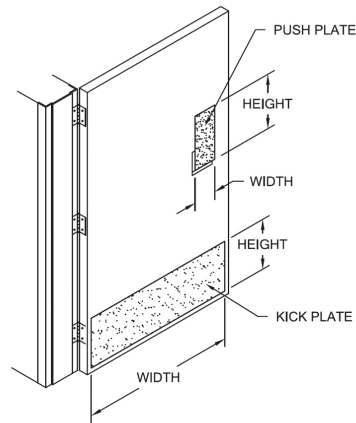


See Kick & Push Plates →



Warranty

- Acrovyn Doors Limited Lifetime Warranty



Model Details

KICK PLATES

KP-40	.040" Acrovyn
KP-60	.060" Acrovyn
KP-LX	Polycarbonate
KP-SS	Stainless Steel

PUSH PLATES

PP-40	.040" Acrovyn
PP-60	.060" Acrovyn
PP-LX	Polycarbonate
PP-SS	Stainless Steel