

Fire Suppression Explosion Relief Panel



Model ERP-FS

This vertically mounted, bottom hinged smoke vent connects to a building's control system, and will automatically open upon signal or power cutoff detection. Panels can easily be closed after an actuation without replacing fusible links or other release devices. This system can be routinely tested for performance validation, and reduces repair, replacement and downtime costs typically associated with alternate smoke vent systems.

Advantages

- Core material to be insulated, metal clad, polycarbonate, or other as required
- Designed to protect interior wall and ceiling structures from the pressure rise experienced during the release of fire suppressant agents into a confined room space
- Interior and exterior seals provide a comfortable draft-free environment
- System can be field tested for release through nondestructive means
- Can save on damage cost in event of an accident within the facility
- Architectural design offers non-industrial appearance

Applications

- Facilities where high-pressure gaseous fire suppressant agents are employed as the method to combat fire

Fire Suppression Explosion Relief Panel

Product Details

- Sizes range from 2' x 2' (0.61m x 0.61m) up to 4' x 8' (1.22m x 2.44m)
- Standard release setting is 20-30 lb/ft²

Certifications/Testing

- Meets NFPA 68 Guide for Venting of Deflagrations and major building and fire code requirements

Model Options

- Pressure Trip Switch activated (released) by the suppressant being piped to the trip switch at the same time as being introduced into the room. Once released the pressure pushes the panel open.
- Electromagnetic latch linked with the smoke or fire alarm control system. With a disconnection of power, the panel is pushed open by the pressure rise in the room.

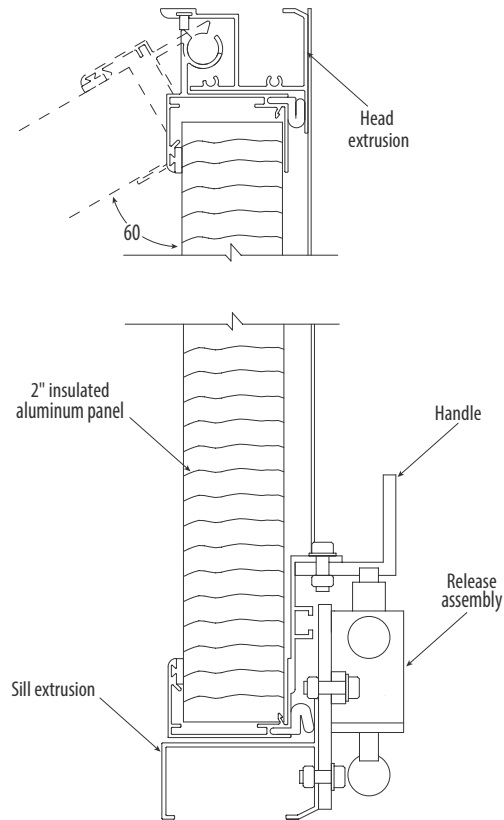
Finish Options



See all finish options online at c-sgroup.com.

Warranty

- Standard Limited Warranty



Learn More →