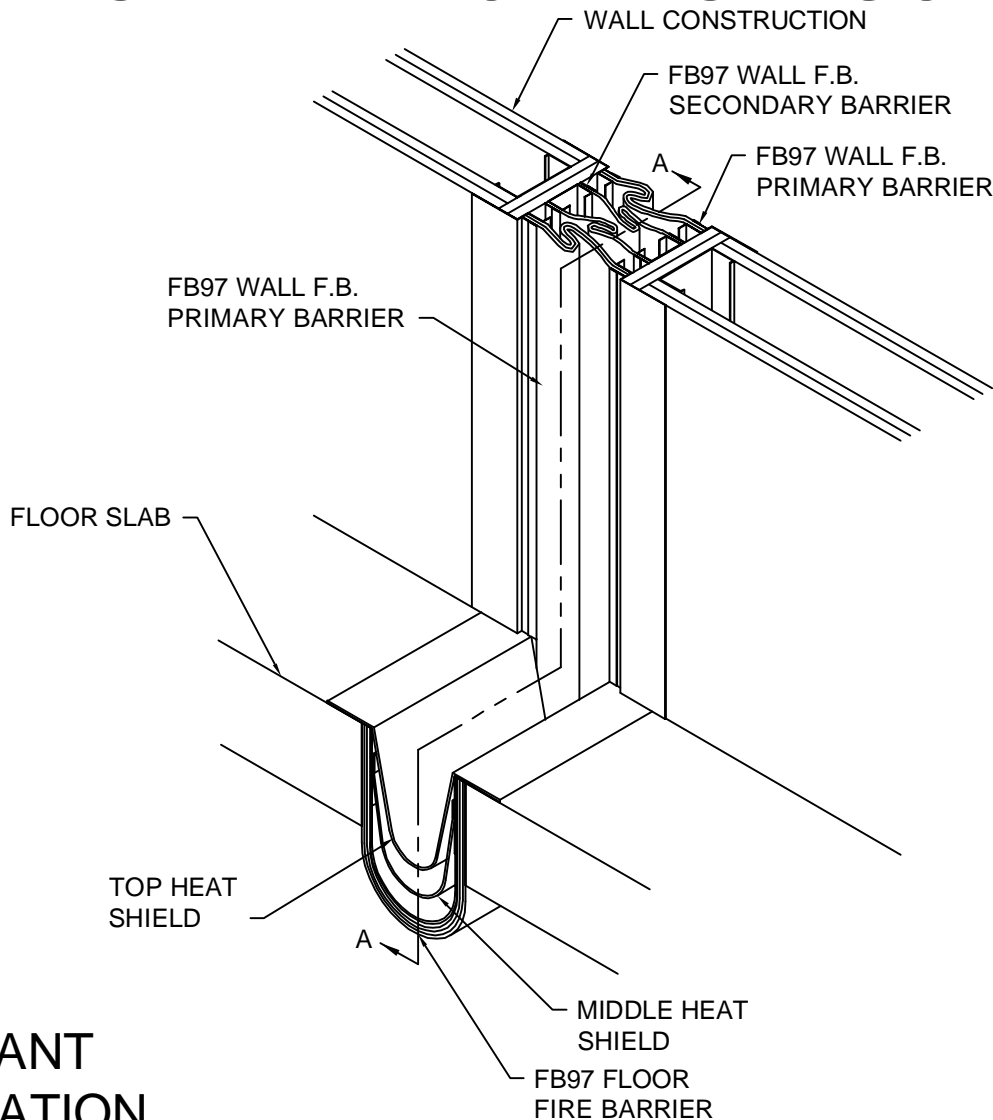


MODEL FB97 WALL BARRIER TO FLOOR BARRIER TRANSITION INSTALLATION INSTRUCTIONS ^{12BW}



IMPORTANT INFORMATION

Prior to the commencement of Installation, all materials **MUST** be inspected for Damage. Any damage must be reported to CONSTRUCTION SPECIALTIES, INC., as soon as possible, so that replacement materials may be furnished without delay.

All work must be completed as per Architect's Approved "Shop Drawings", and in accordance with these Installation Instructions. When installation is complete, all materials must be protected from damage until the Architect's FINAL INSPECTION.

All materials should be arranged in the order that they are to be installed. All hardware required for each portion of the work should be placed with the appropriate materials.

Please review all Approved Shop Drawings and this Document to familiarize yourself with all the details and components of this assembly.

IMPORTANT:
READ THROUGH ALL INSTRUCTIONS PRIOR TO STARTING INSTALLATION

6/27/11

CONSTRUCTION SPECIALTIES, INC.

P.O. BOX 380
MUNCY, PA 17756
PHONE: (570)546-5941 FAX: (570)546-8022

This document is the property of Construction Specialties, Inc. and contains CONFIDENTIAL PROPRIETARY INFORMATION that is not to be disclosed to third parties and is not to be used without approval in writing from Construction Specialties, Inc.

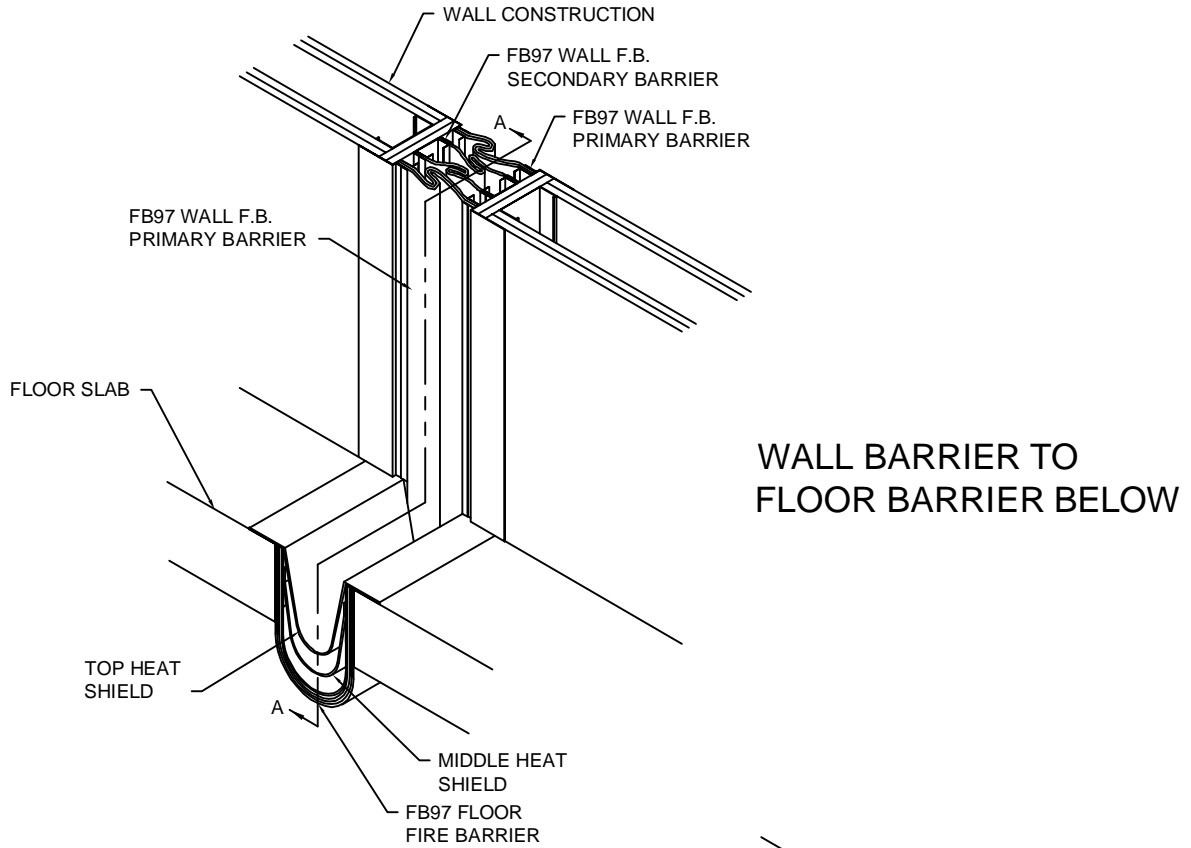
Notes:

Before beginning installation, review the architectural drawings and approved Construction Specialties Inc. shop drawings to familiarize yourself with the Fire Barrier.

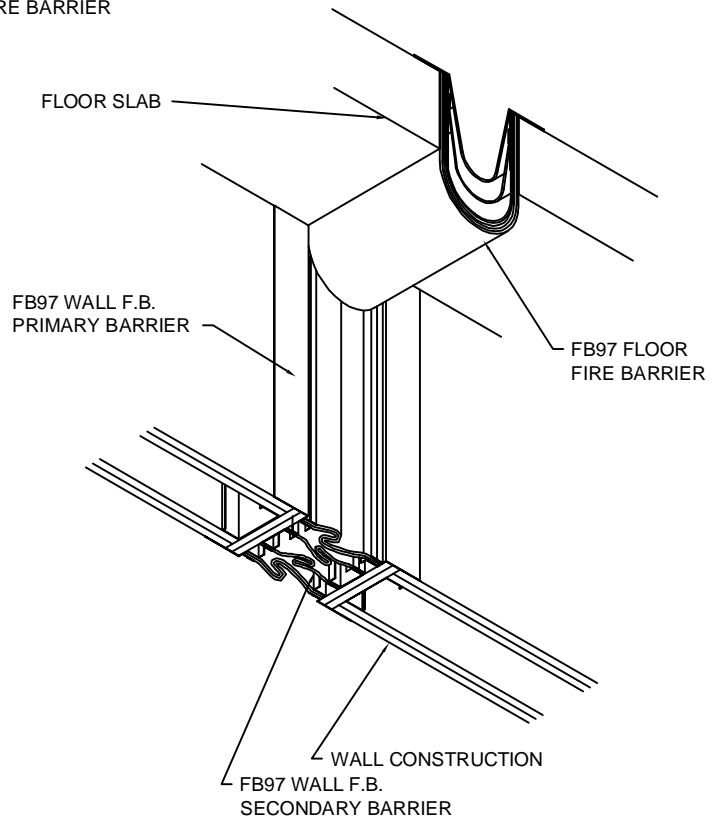
Check all of the components to confirm that the correct components have been received. Also, check for materials that may have been damaged during shipping. Report all incorrect and/or damaged components to C/S at 800-233-8493.

Read through all the steps of these instructions prior to beginning work.

Install all FB-97 Wall Fire Barrier components in accordance with FB-97 Wall Fire Barrier Installation Instructions.

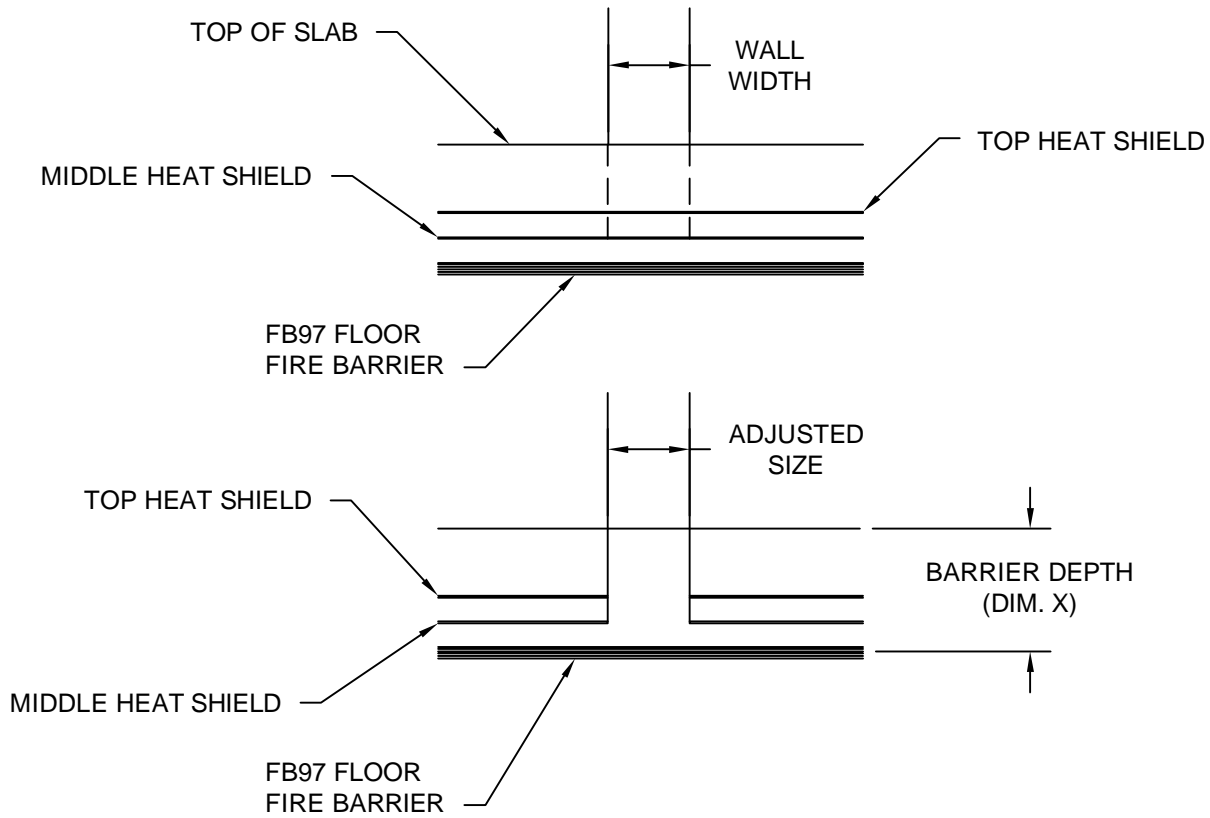


WALL BARRIER TO FLOOR BARRIER ABOVE



STEP 1

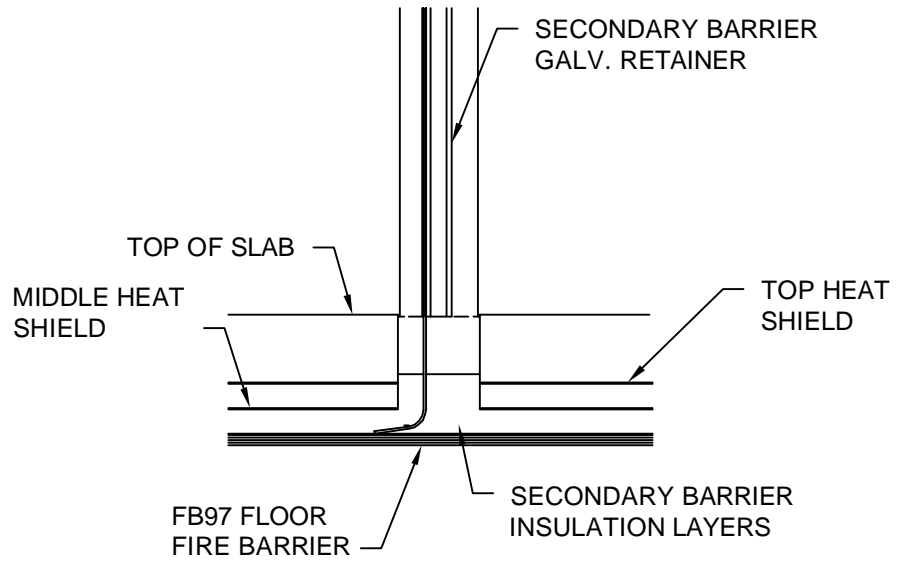
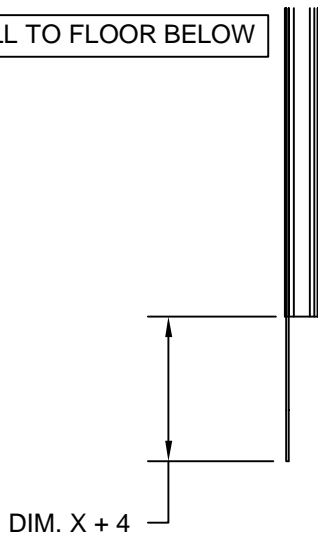
FB97 WALL TO FLOOR BELOW



- 1.1) Install the Floor Fire Barrier continuous through the wall as per the Floor Fire Barrier Installation Instructions.
- 1.2) With a utility knife or scissors, cut away the top and middle heat shields where they pass through the wall joint to expose the main floor barrier.
- 1.3) Using a tape measure, measure the depth of floor barrier from top of slab to the base of the barrier (Dim. X).

STEP 2

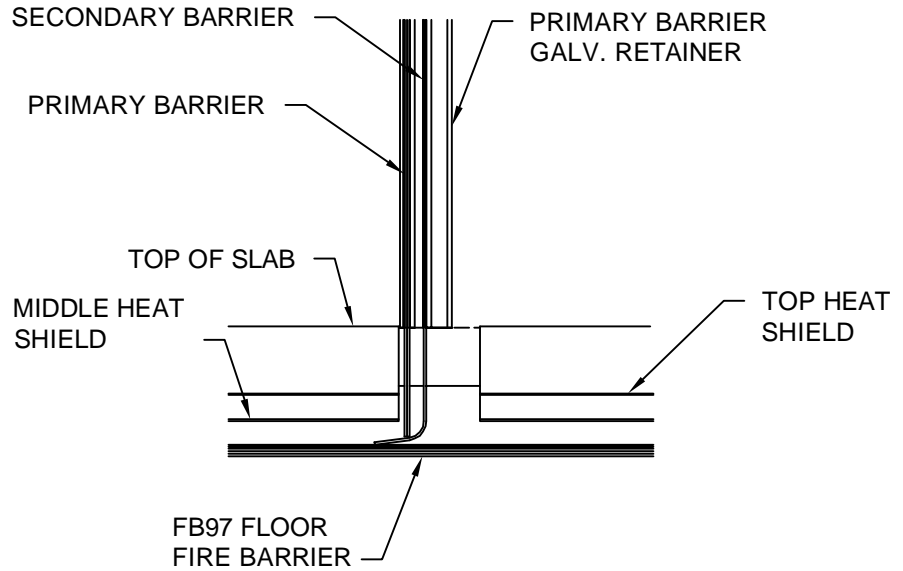
FB97 WALL TO FLOOR BELOW



- 2.1) At one end of a length of FB-97 Wall F.B., Secondary Barrier, cut and remove the galv. channels and washer strips, equal to Dim. X +4".
- 2.2) Install the Secondary Barrier so that the galv. channels stops at the top of the slab, and the insulation layer sweeps down and into the main floor barrier.

STEP 3

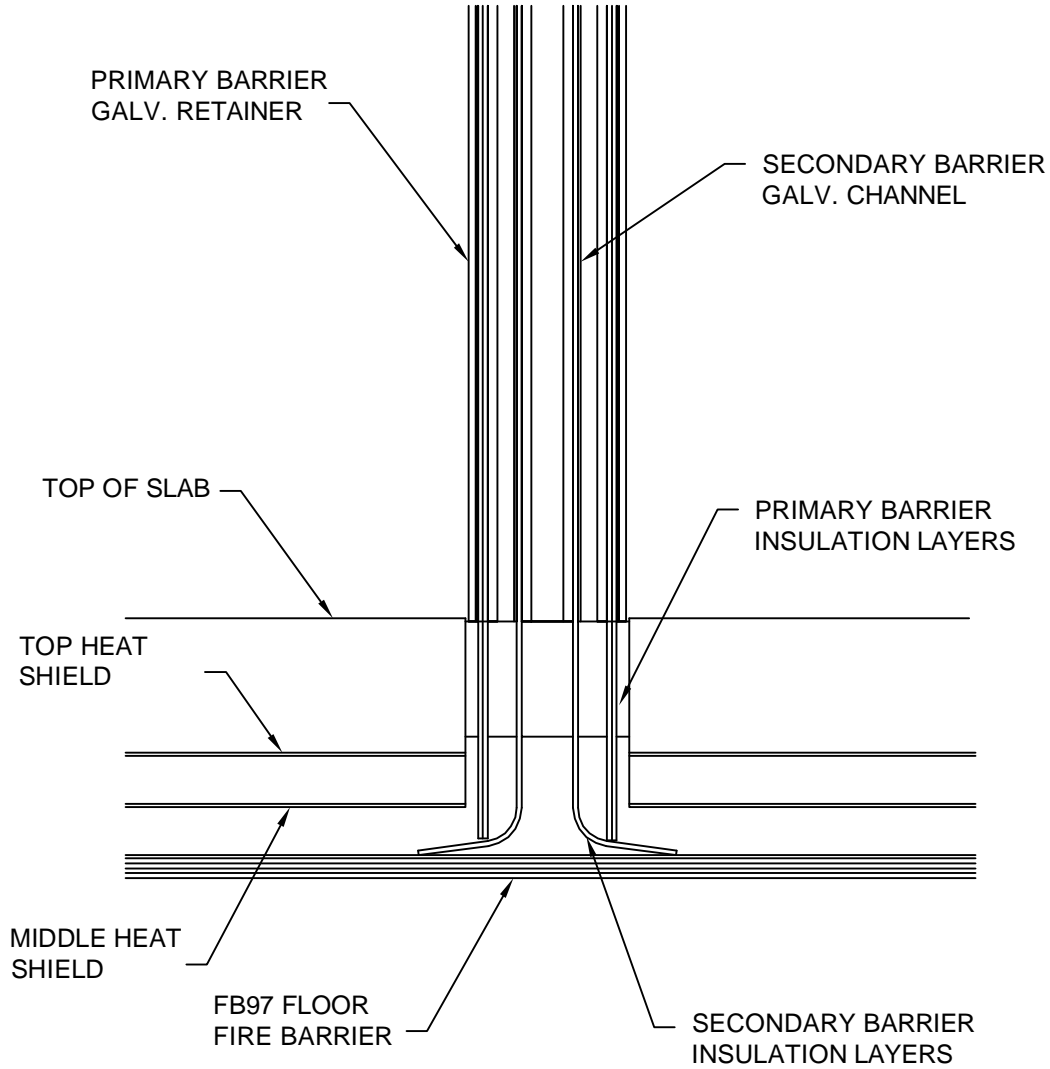
FB97 WALL TO FLOOR BELOW



- 3.1) Cut and remove the galv. retainers and washer strips from the bottomend of a length of Primary Barrier, equal to Dim. Y.
- 3.2) Install the Primary Barrier so the insulation material extends into base of the Main Floor Barrier.

STEP 4

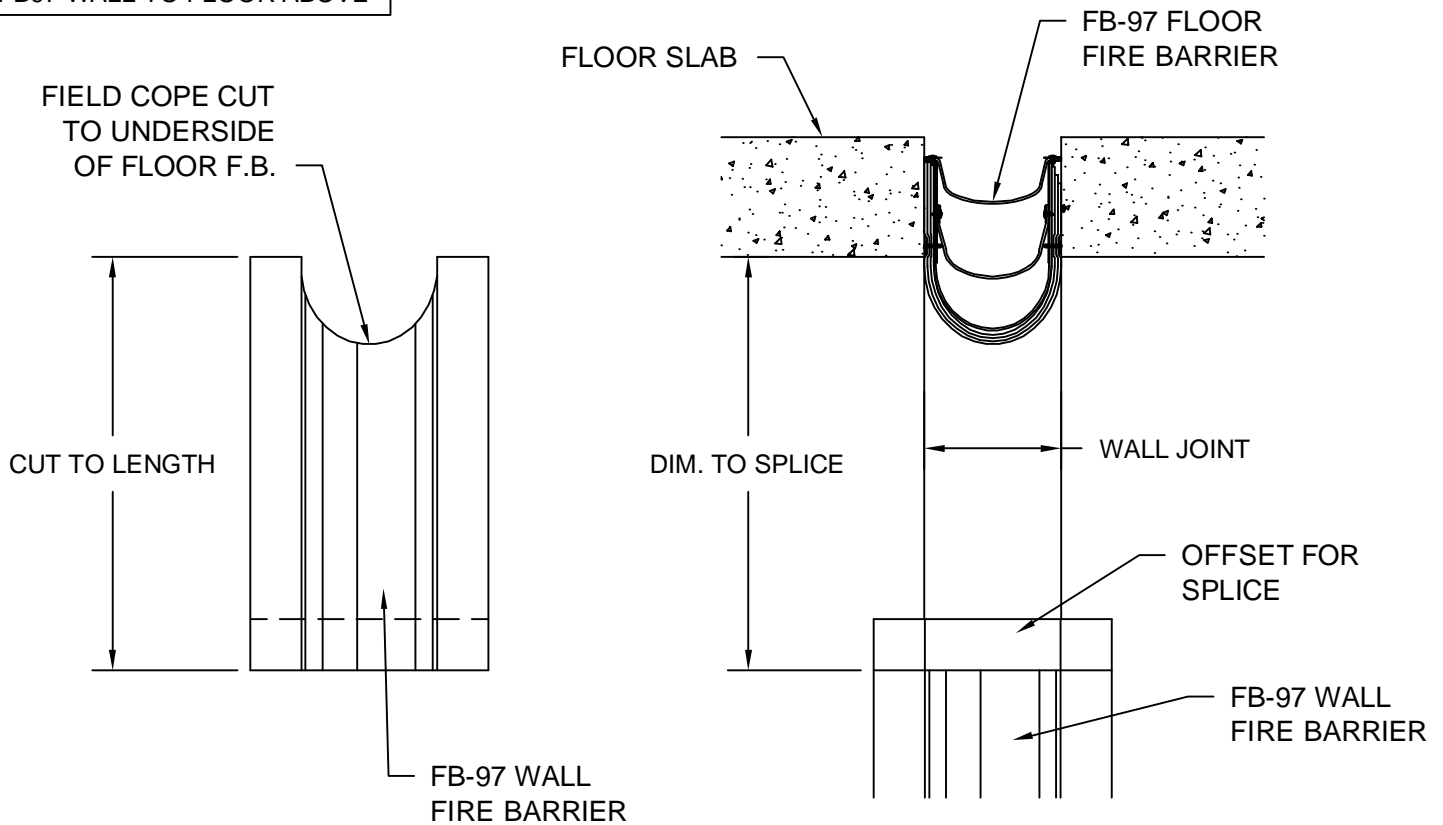
COMPLETE INSTALLATION



4.1) Repeat Steps 2 and 3 to install the Secondary Barrier and Primary Barriers at the opposite face of the wall to complete the installation of the transition.

STEP 1

FB97 WALL TO FLOOR ABOVE



Note: Each portion of the FB-97 wall fire barrier must be field coped to fit tightly to the underside of the floor fire barrier in the joint above. Depending on the joint width and size of the fire barrier, it may be necessary to trim the galvanized flanges of the wall fire barrier and extend the end of the wall fire up into the floor joint to contact the floor fire barrier.

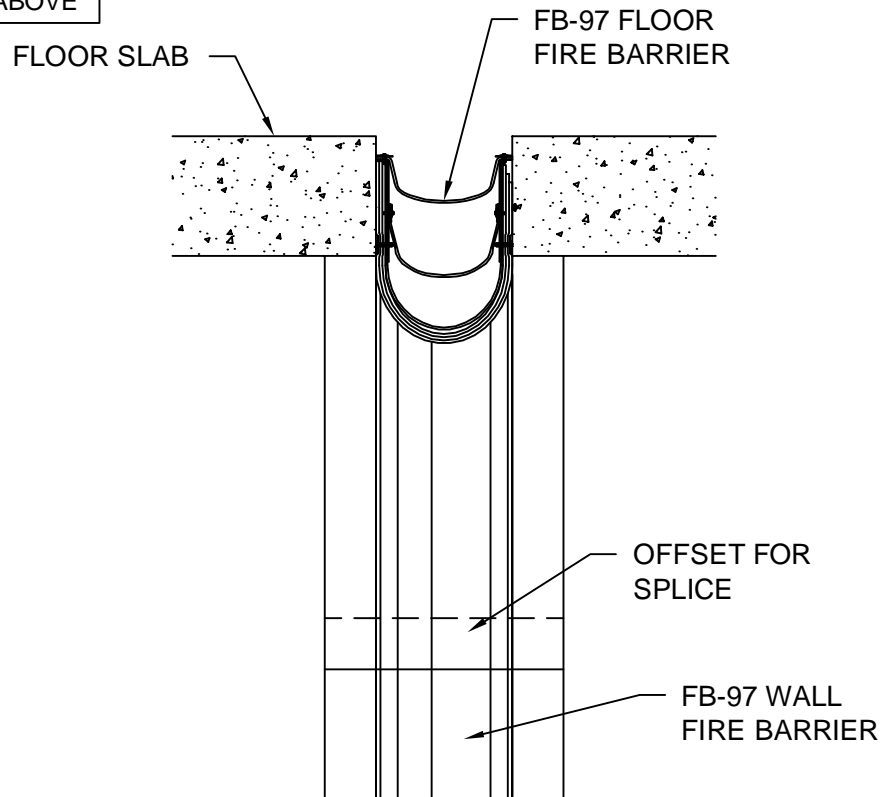
1.1) Measure from the splice point of the previous section of wall fire barrier (or from the floor if less than 10' slab to slab) to the underside of the floor slab above. Cut the first portion of the FB-97 wall barrier to this length.

1.2) With a utility knife and/or scissors, cope cut the top end of the wall barrier to the profile of the underside of the floor barrier above. (A template of the profile can be made from paper or cardboard.) Note: It is important that the cuts be clean and accurate to the shape of the floor barrier in order to get a tight compression fit as no sealant is to be applied.

1.3) Position, splice and install the first portion of the wall barrier in accordance with the FB-97 Wall Fire Barrier Installation Instructions.

STEP 2

FB97 WALL TO FLOOR ABOVE



2.1) Repeat steps 1.1 - 1.4 to prepare and install each of the remaining components of the FB-97 wall fire barrier.

Installation is complete.