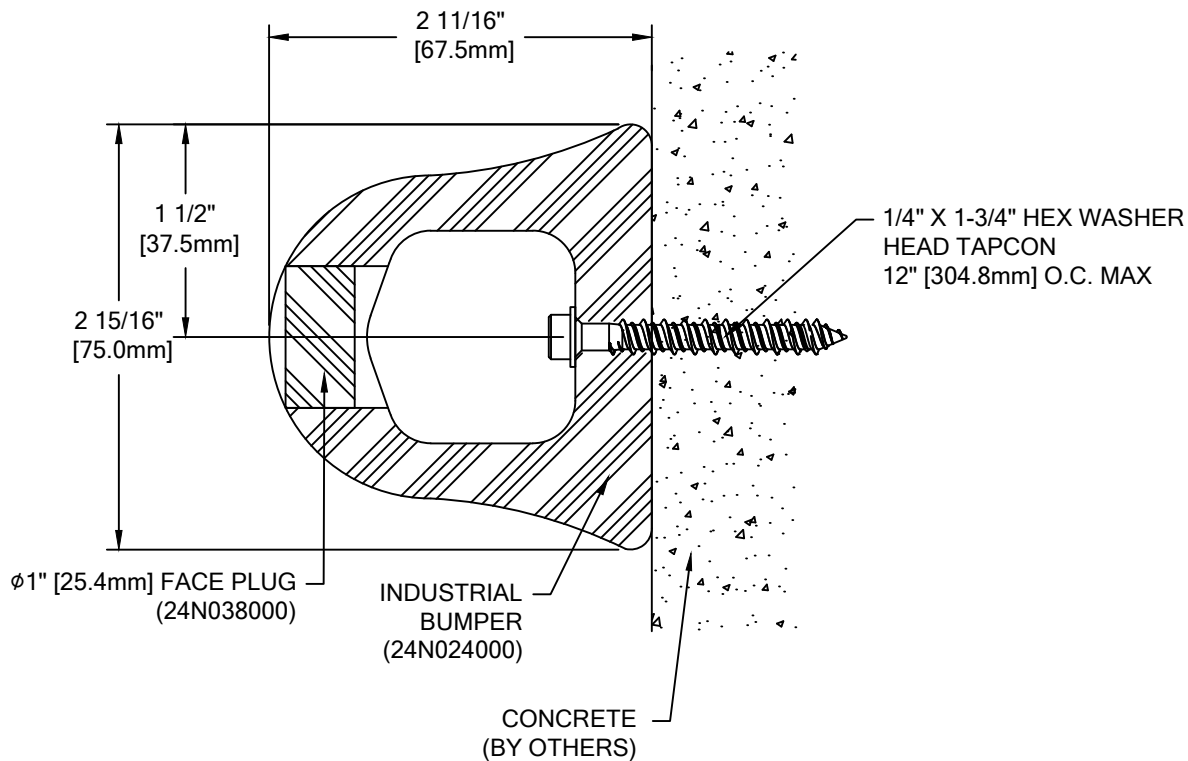



TOTAL L/F REQ'D	END PLUGS



HB-75D

WALL CONDITION	SPECIFIED FASTENER	DRILL DIAMETERS		CS PART NUMBER
		WALL	BUMPER	
CONCRETE/CONC. BLOCK	1/4" X 1-3/4" HEX WASHER HEAD TAPCON	3/16"	5/16"	90H936002
STEEL STUD AND GYPSUM WALL BRD	1/4" X 4" ROUND HEAD TOGGLE BOLT WITH TOGGLE WING	3/4"	9/32"	90H059002
WOOD STUD AND GYPSUM WALL BRD	#14 X 4" ROUND HEAD ALL PURPOSE SCREW	7/32"	9/32"	90H225002

 Hughesville, PA 800.233.8493 570.546.5941 Mississauga, ON 888.895.8955 905.274.3611 www.c-sgroup.com © Copyright 2017 Construction Specialties, Inc.	PROJECT:	REVISION:
	JOB NO.:	F&F:
	CUSTOMER:	
	REP:	DATE:
	DRAWN BY:	SHEET NO: