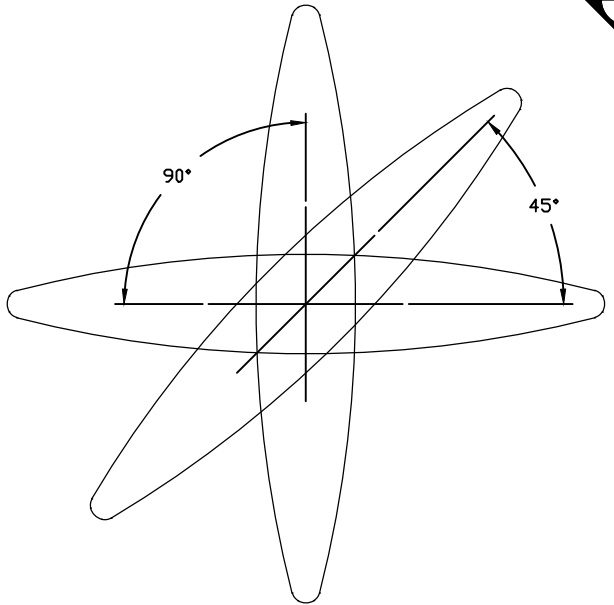
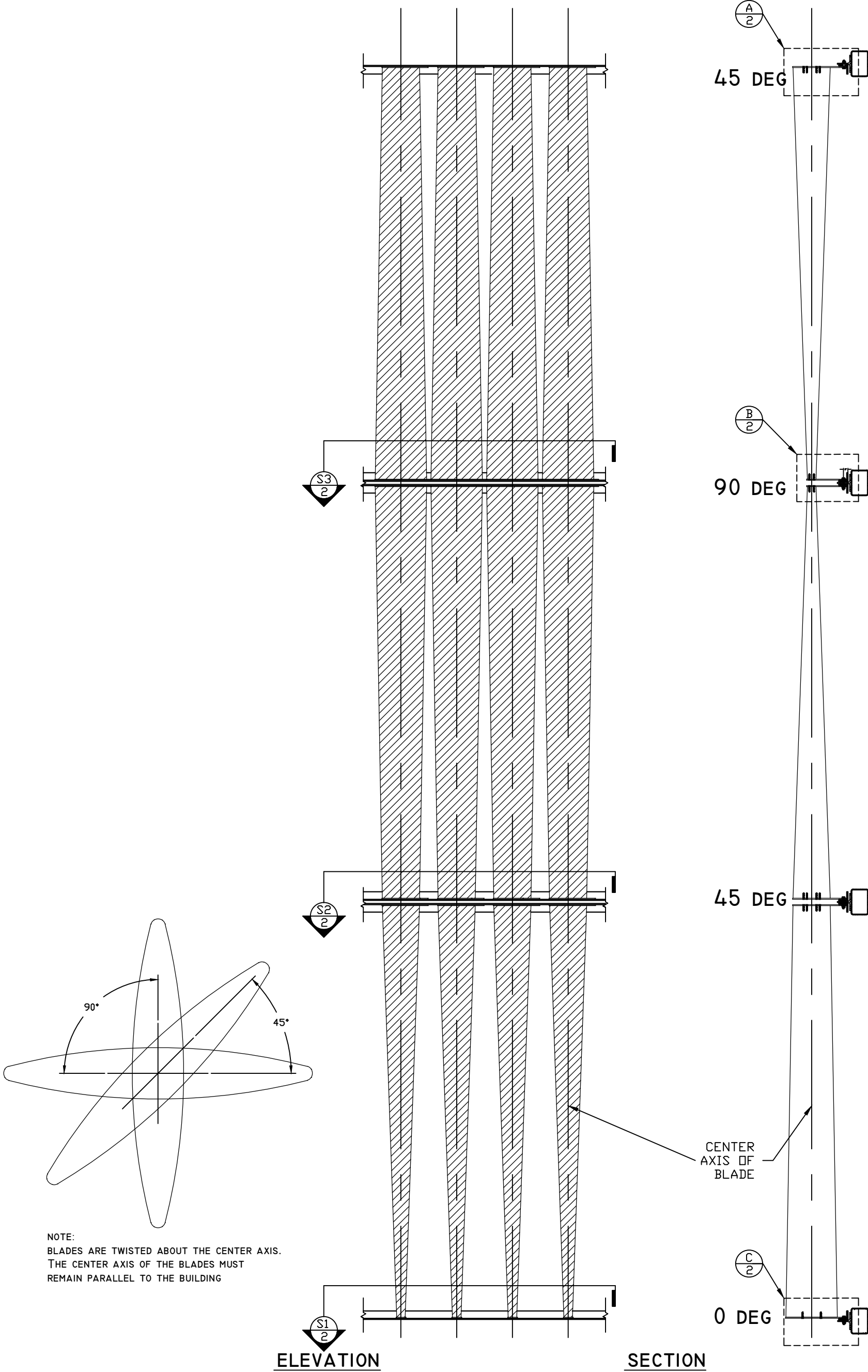


AIRFOIL SYSTEM

LIMITS:

12" AFB - 5.625 DEG PER FOOT MAX TWIST



NOTE:
BLADES ARE TWISTED ABOUT THE CENTER AXIS.
THE CENTER AXIS OF THE BLADES MUST
REMAIN PARALLEL TO THE BUILDING

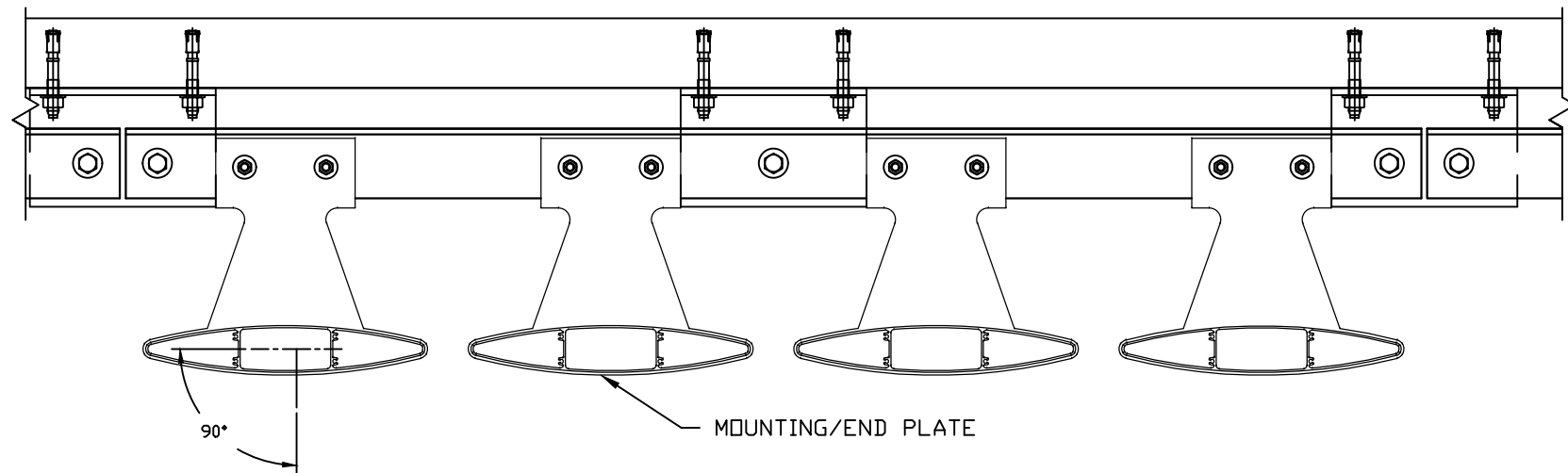


Construction Specialties™
49 MEEKER AVENUE, CRANFORD, NEW JERSEY
PHONE: 1-800-631-7379 / FAX: 908-272-5844

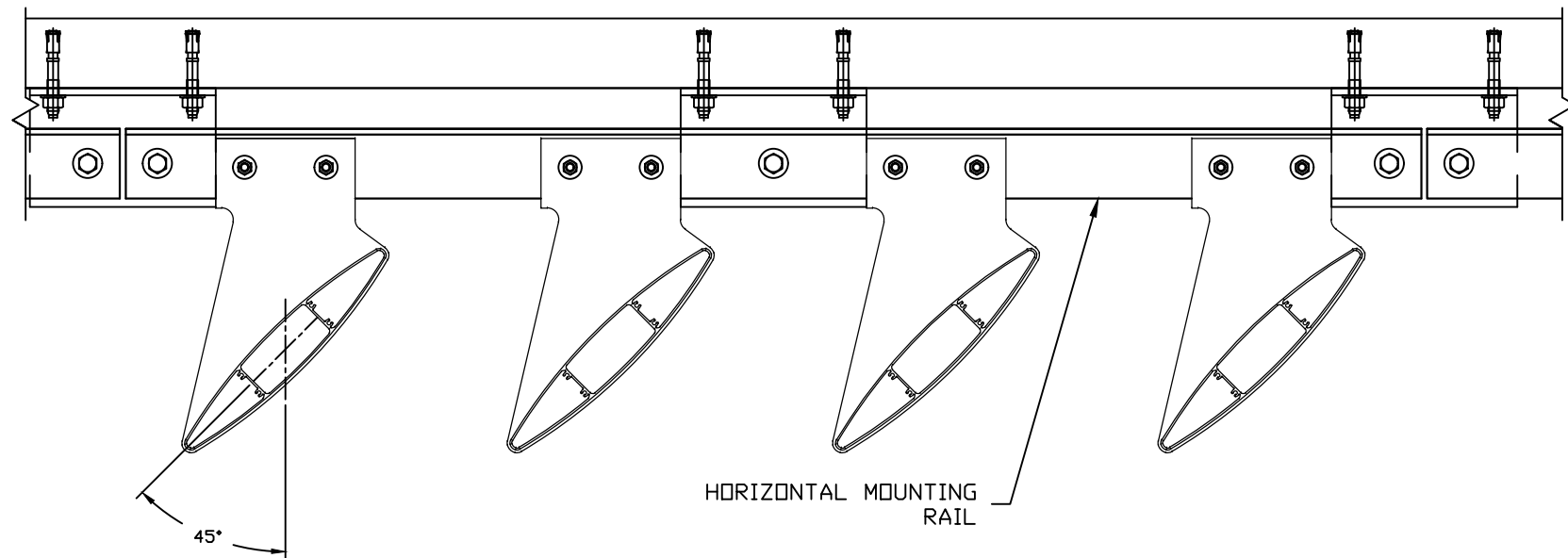
PROJECT: TWISTED SUNSHADE
TITLE: AFB ELEVATION & SECTION
SCALE: 1/2" = 1'
DRW BY: J BLAKE

REVISION: 02-13-19
DATE: 2-14-18
SHEET: 1 OF 3
DRW NO : RD-

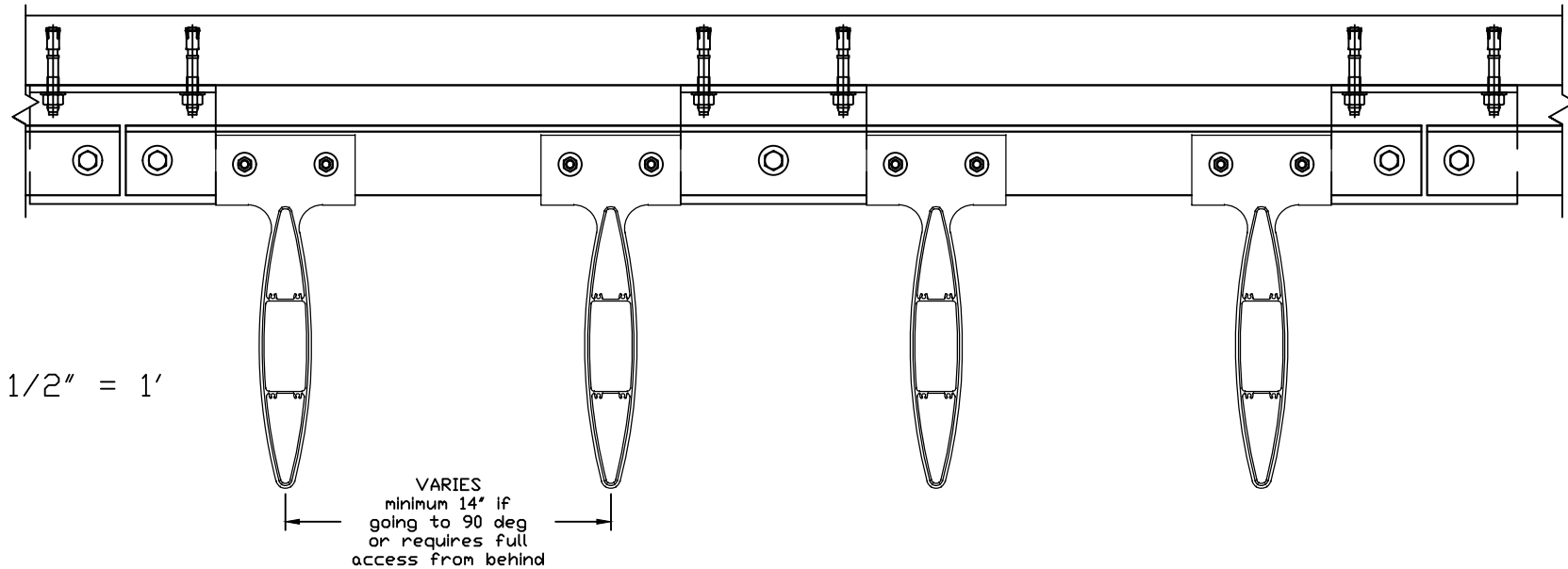
SECTION S3
90 DEG 2



SECTION S2
45 DEG 2

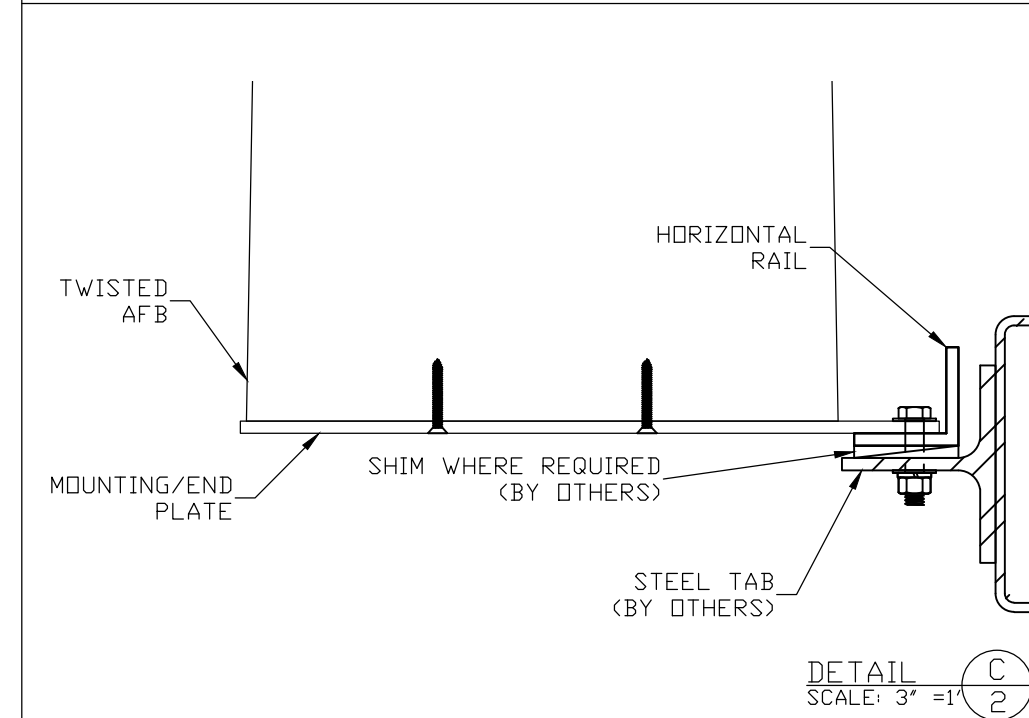
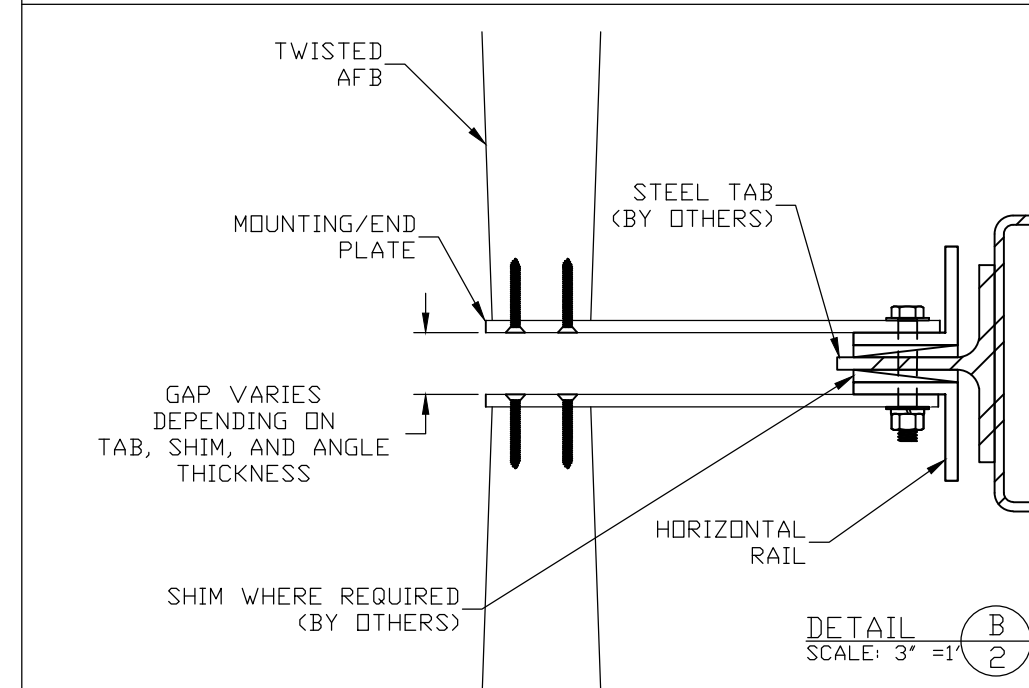
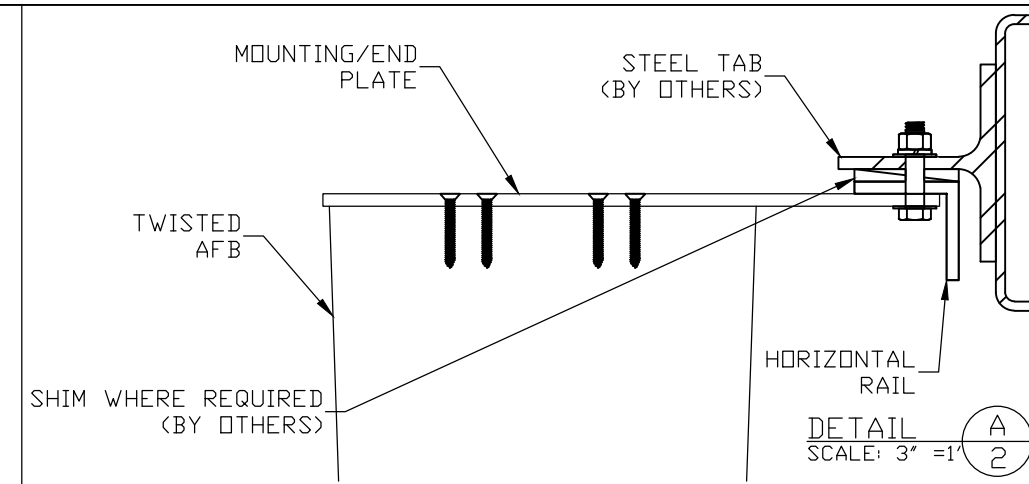


SECTION S1
0 DEG 2



SCALE: 1 1/2" = 1'

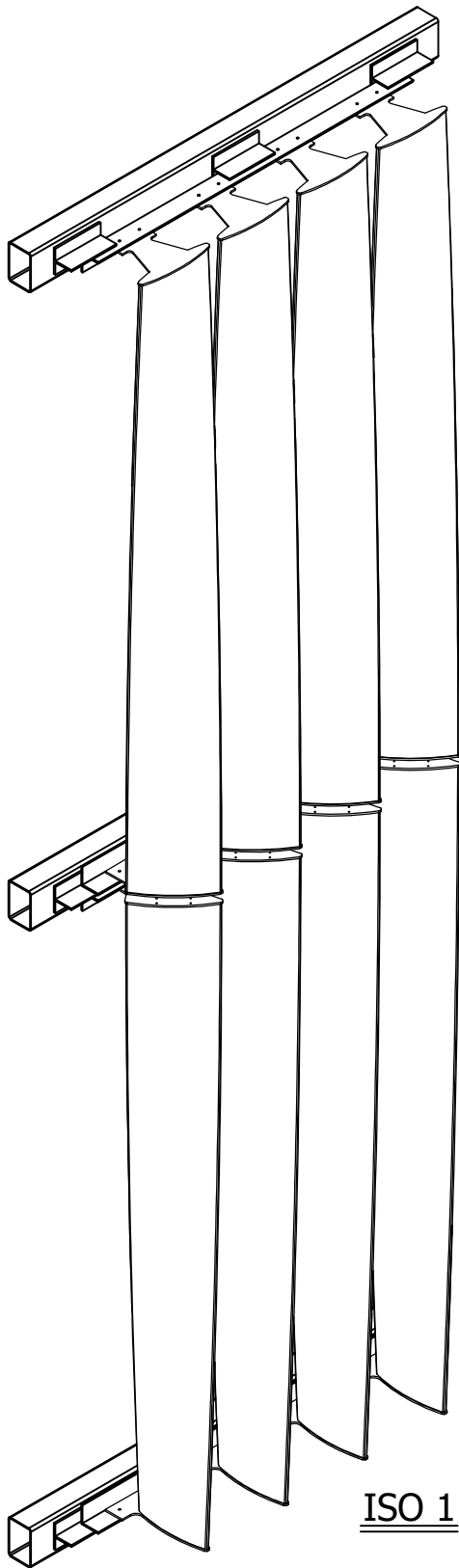
VARIES minimum 14° if going to 90 deg or requires full access from behind



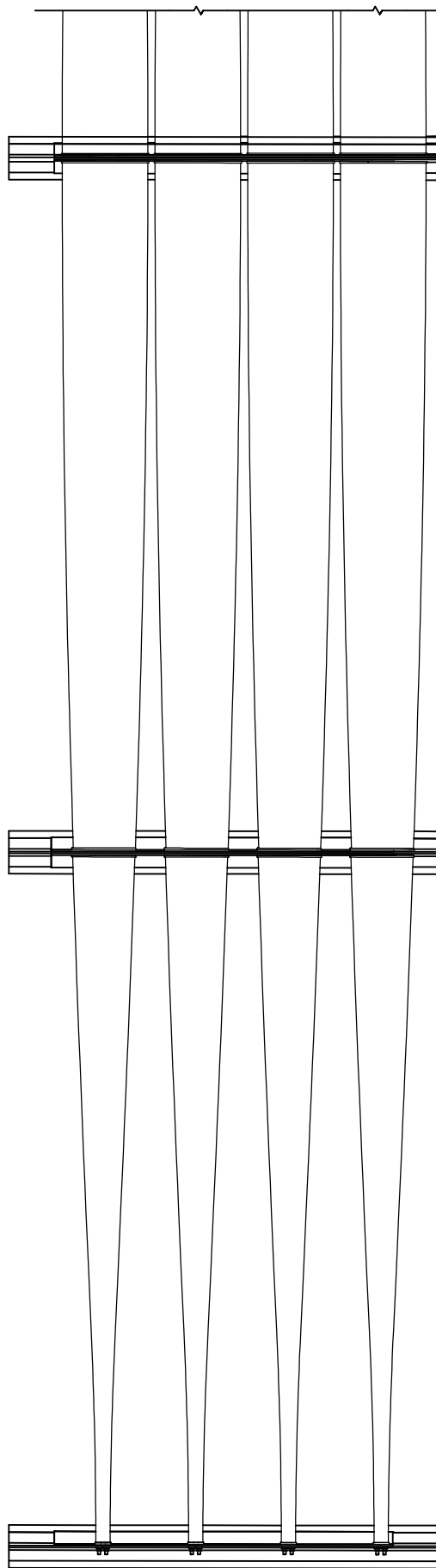
REVISION: 02-15-19
DATE: 2-14-18
SHEET: 2 OF 3
DRW NO: RD-

PROJECT: TWISTED SUNSHADE
TITLE: AFB DETAILS
SCALE: 1 1/2" = 1'
DRW BY: J BLAKE

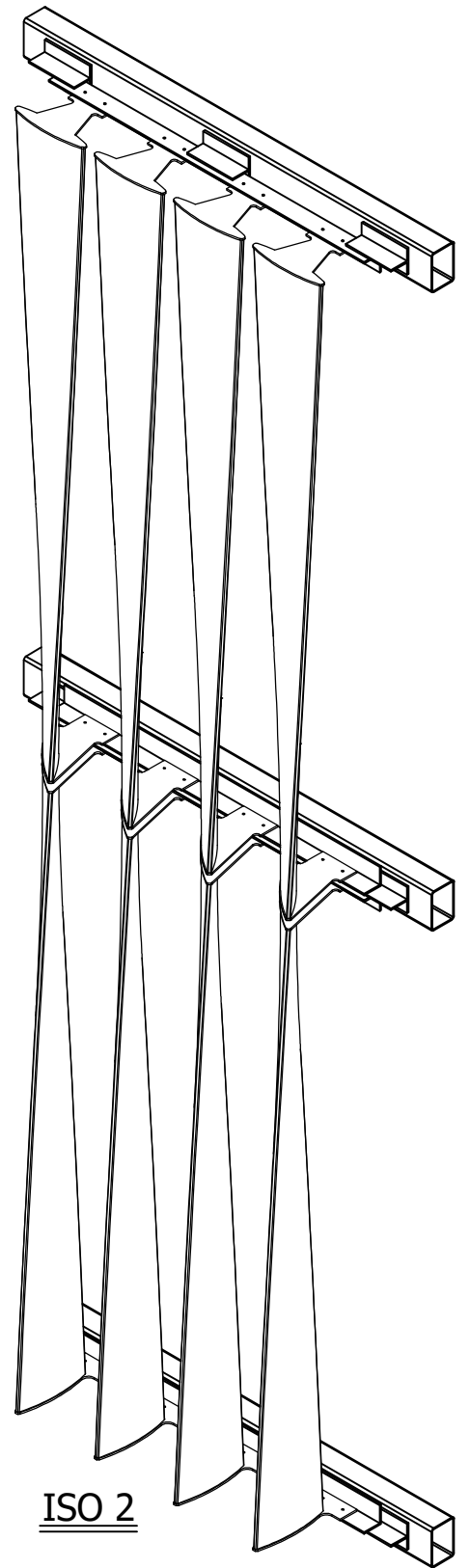
CS Construction Specialties™
49 MEEKER AVENUE, CRANFORD, NEW JERSEY
PHONE: 1-800-631-7379 / FAX: 908-272-5844



ISO 1



ELEVATION



ISO 2



Construction Specialties™
 49 MEEKER AVENUE, CRANFORD, NEW JERSEY
 PHONE: 1-800-631-7379 / FAX: 908-272-5844

PROJECT: TWISTED SUNSHADE
 TITLE: AFB ELEVATION AND ISO
 SCALE: 1/2" = 1'
 DRW BY: J BLAKE

REVISION: 02-13-19
 DATE: 2-14-18
 SHEET: 3 OF 3
 DRW NO : RD-