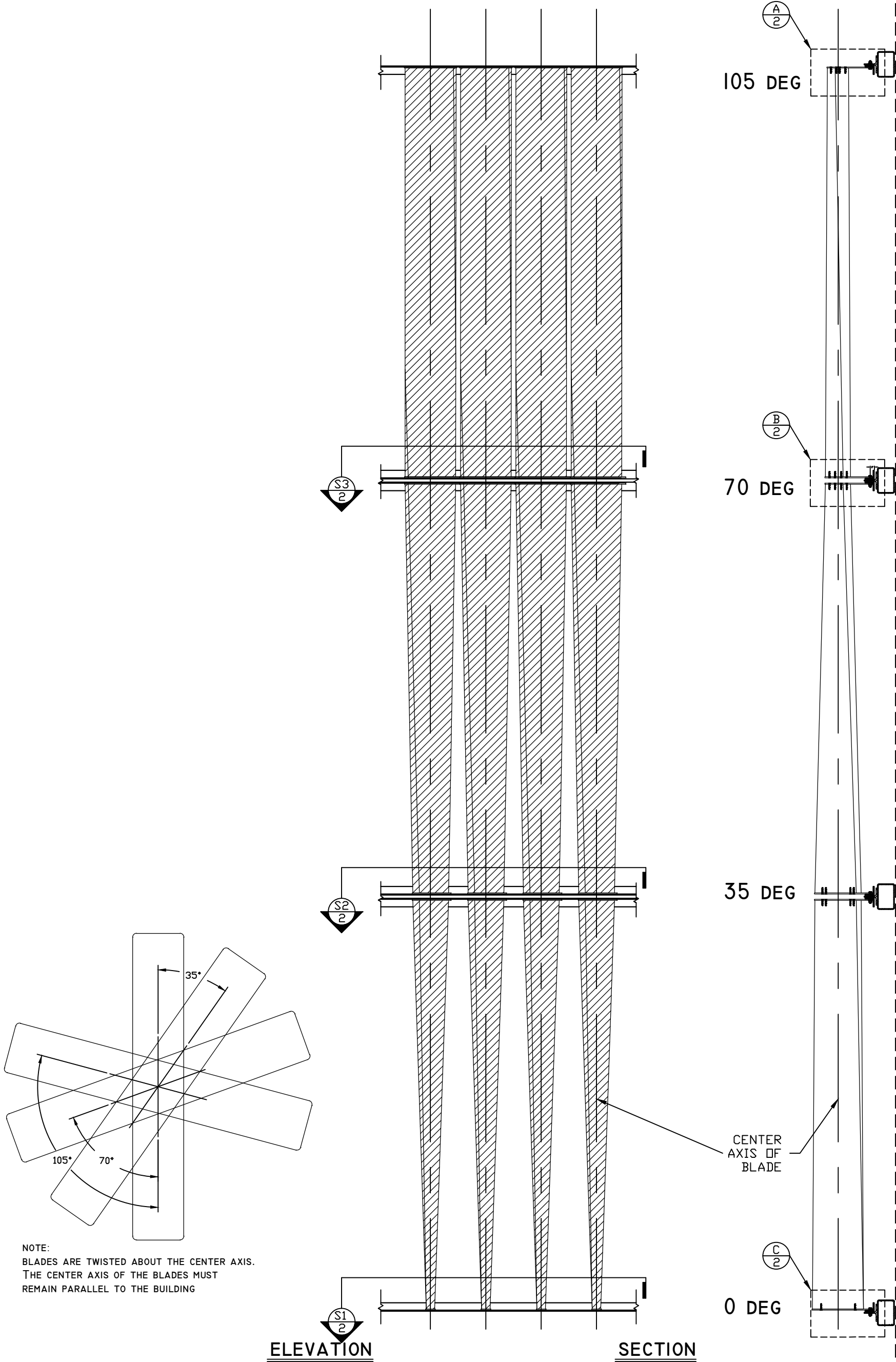


# RECT. TUBE SYSTEM

LIMITS:

12" X 2" REC TUBE - 4.375 DEG PER FOOT MAX TWIST



**Construction Specialties™**

49 MEEKER AVENUE, CRANFORD, NEW JERSEY  
PHONE: 1-800-631-7379 / FAX: 908-272-5844

PROJECT: TWISTED SUNSHADE

TITLE: TUBE ELEVATION & SECTION

SCALE: 1/2" = 1'

DRW BY: J BLAKE

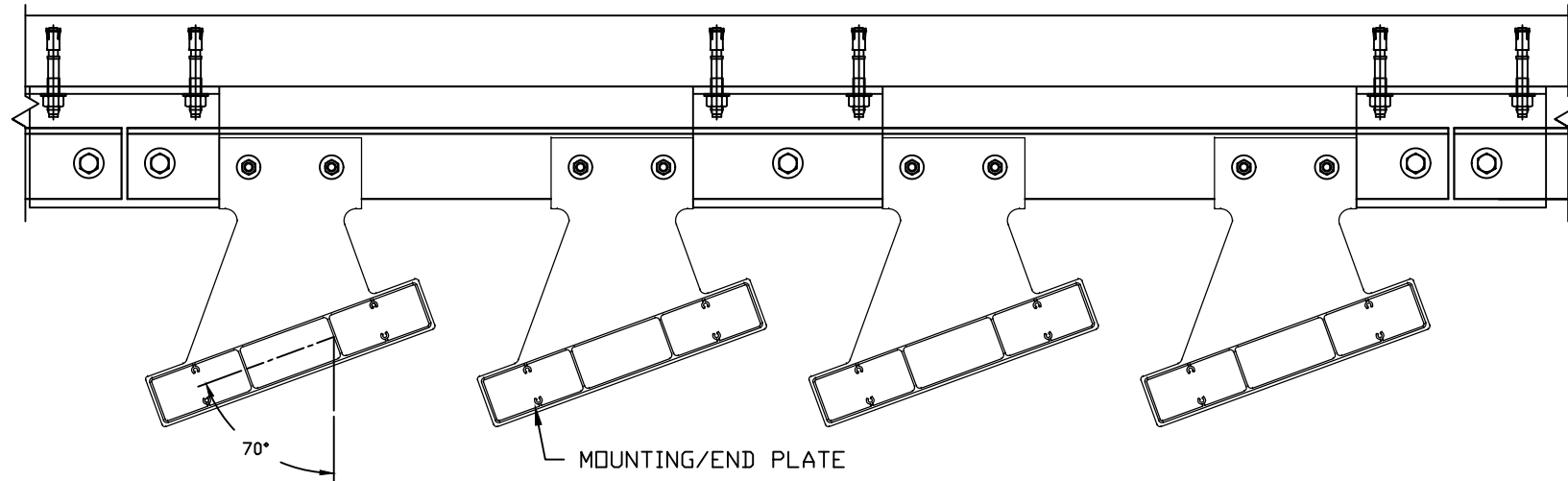
REVISION: 02-13-19

DATE: 2-14-18

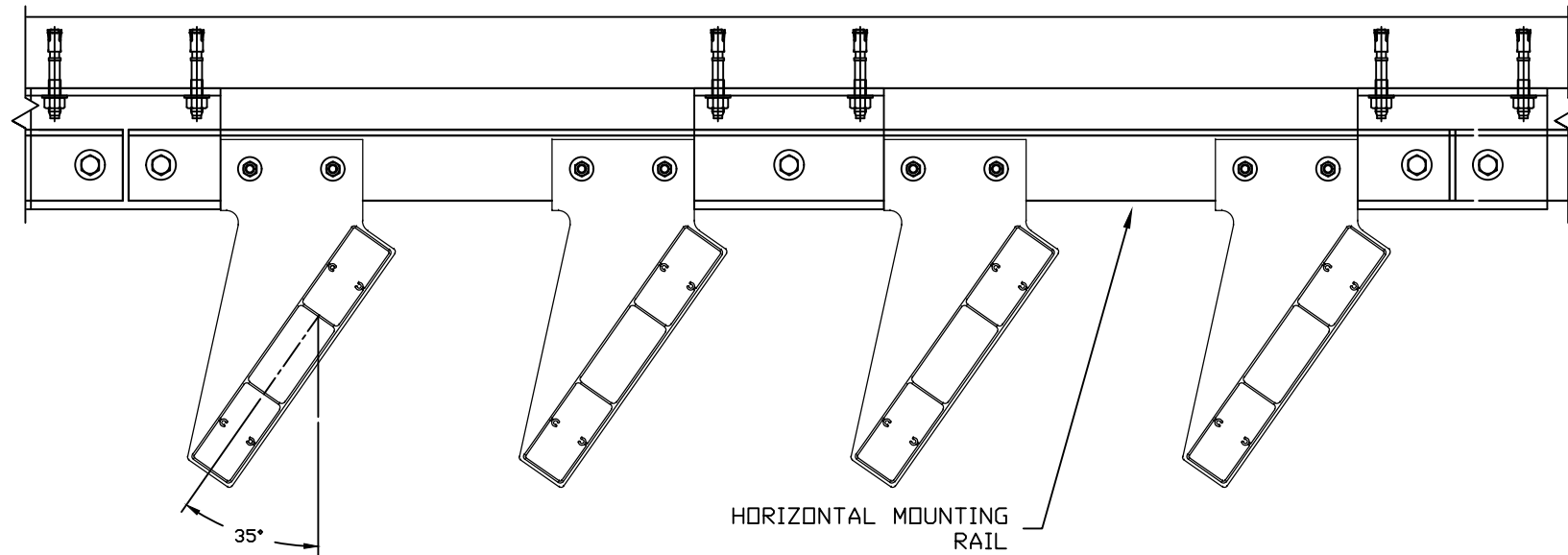
SHEET: 1 OF 3

DRW NO : RD-

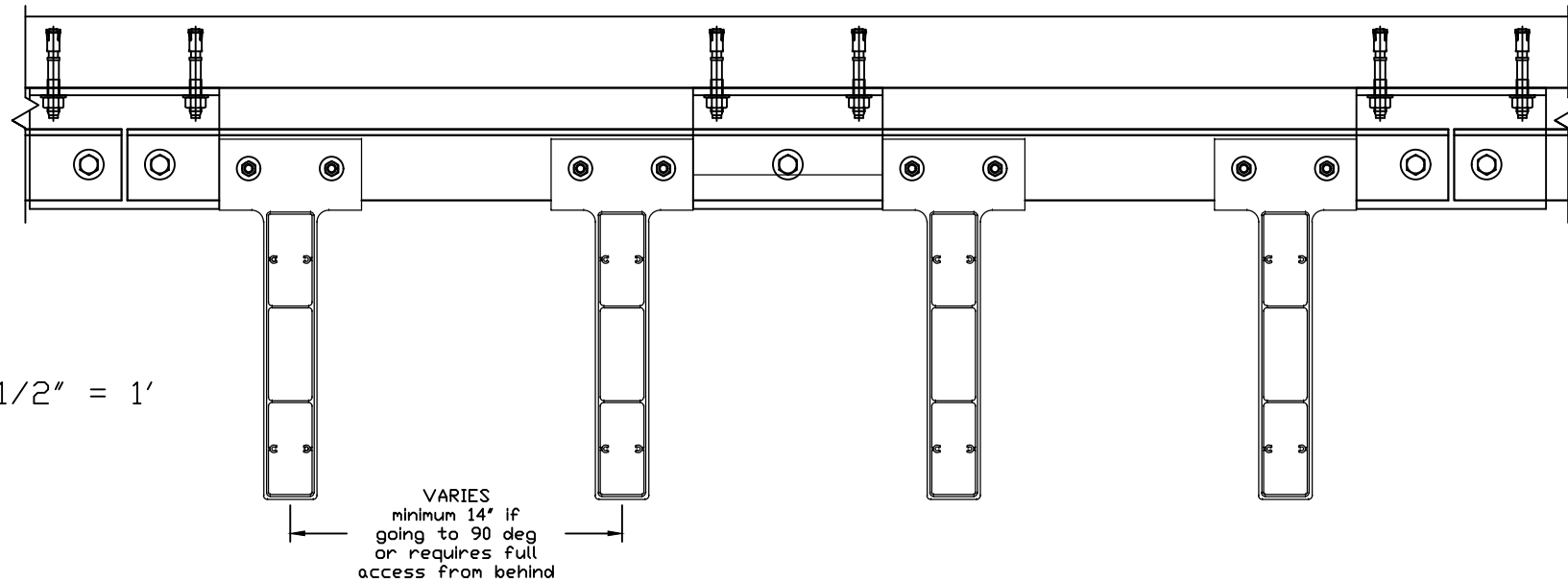
SECTION S3  
70 DEG 2



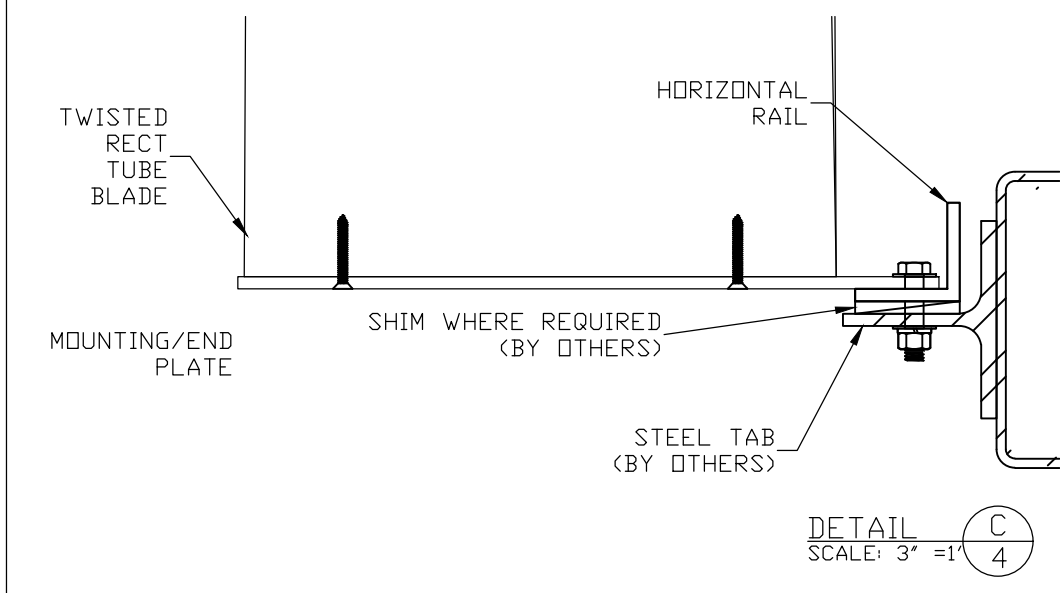
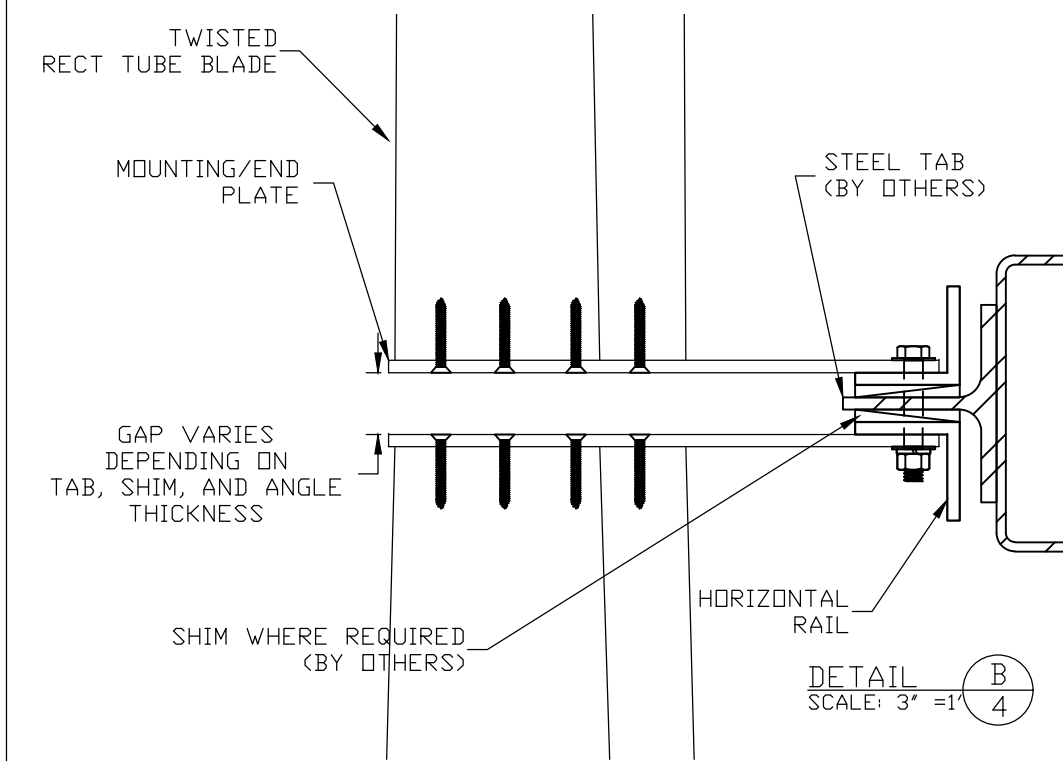
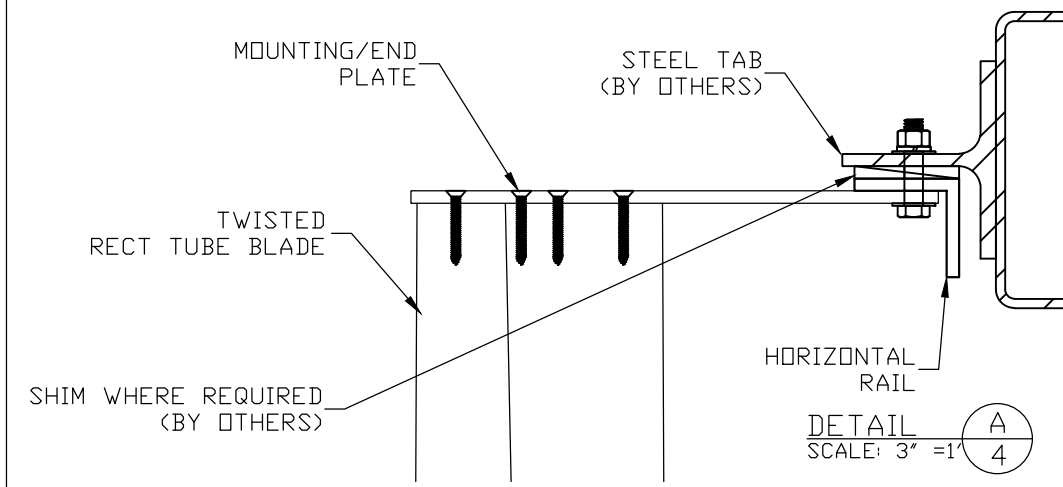
SECTION S2  
35 DEG 2



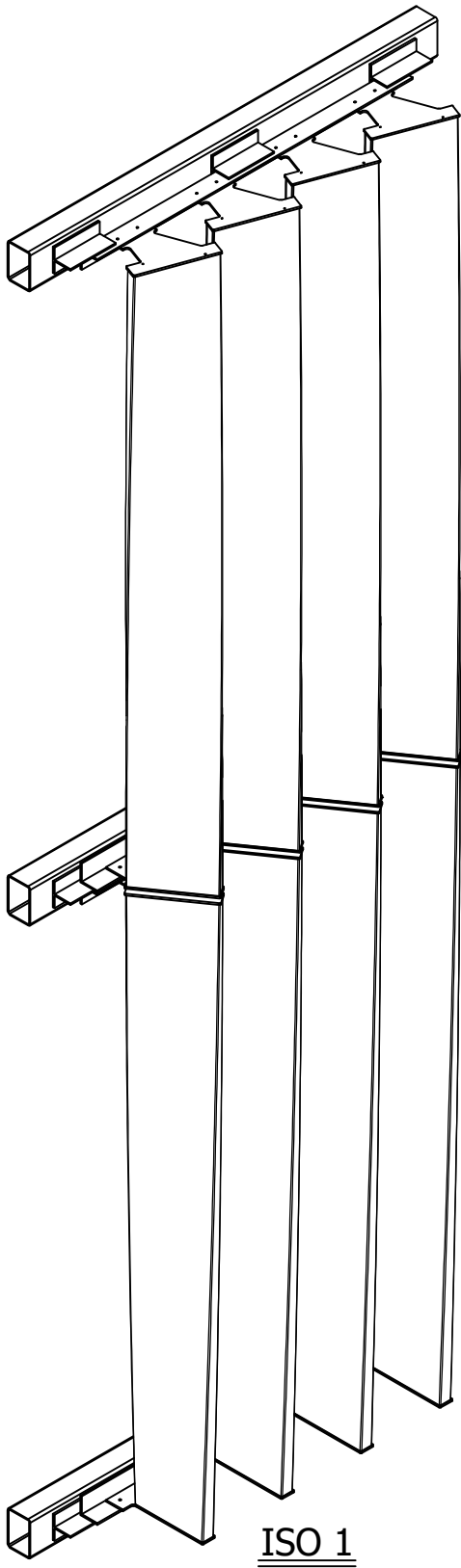
SECTION S1  
0 DEG 2



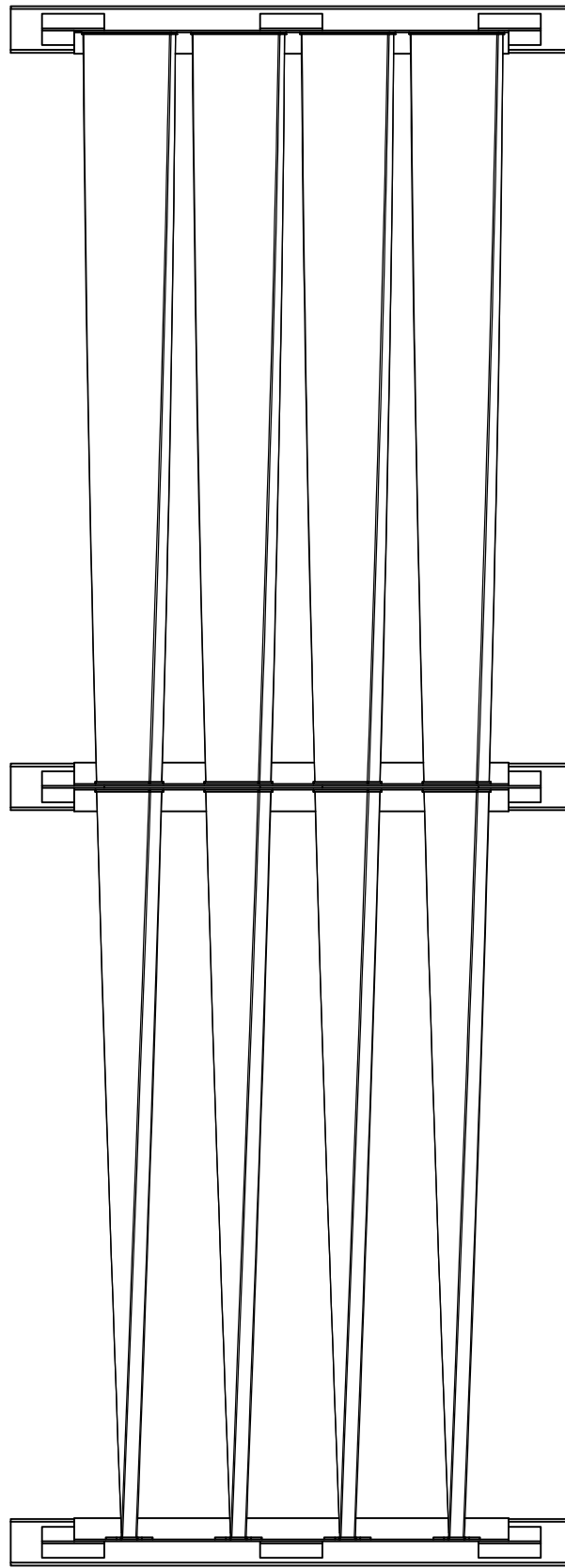
SCALE: 1 1/2" = 1'



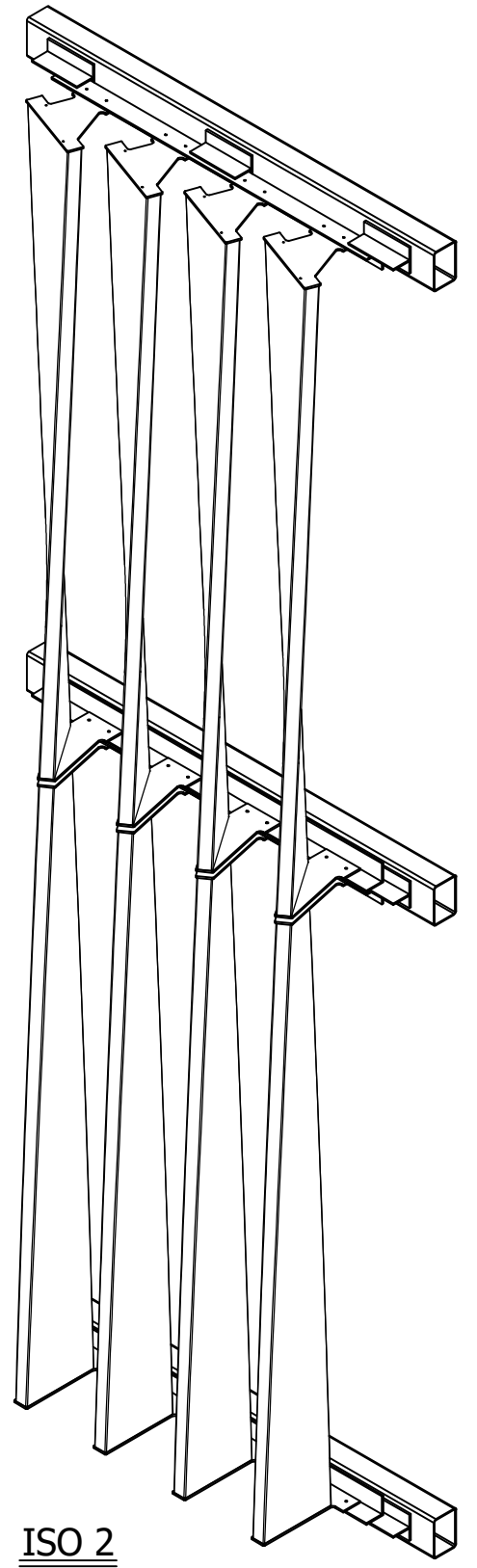
REVISION: 02-13-19  
DATE: 2-14-18  
SHEET: 2 OF 3  
DRAW NO: RD-  
PROJECT: TWISTED SUNSHADE  
TITLE: TUBE DETAILS  
SCALE: 1 1/2" = 1'  
DRW BY: J BLAKE



ISO 1



ELEVATION



ISO 2



**Construction Specialties™**  
 49 MEEKER AVENUE, CRANFORD, NEW JERSEY  
 PHONE: 1-800-631-7379 / FAX: 908-272-5844

PROJECT: TWISTED SUNSHADE

TITLE: RECT TUBE ELEVATION AND ISO

SCALE: 1/2" = 1'

DRW BY: J BLAKE

REVISION: 02-13-19

DATE: 2-14-18

SHEET: 3 OF 3

DRW NO : RD-