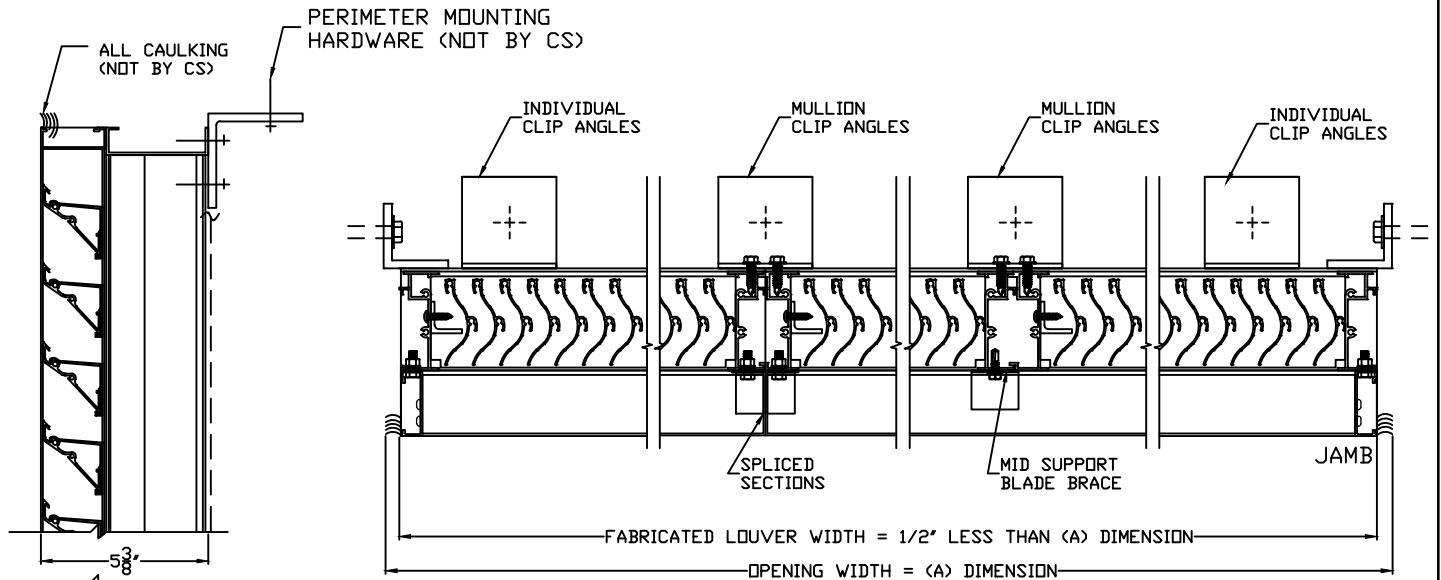
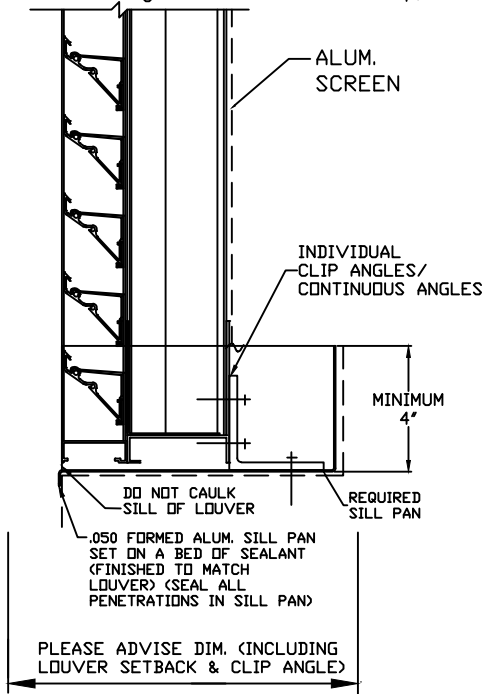


5-3/8" HORIZONTAL STORM RESISTANT LOUVER MODEL RS-5225



PLAN VIEW



VERTICAL SECTION

SCREENS

- SCREEN NOT REQUIRED
- SCREEN REQUIRED
- INTERIOR MOUNTED
- EXTERIOR MOUNTED
- BIRDSCREEN: 1/2" MESH .063 DIA. ALUM. WIRE (MILL FINISH)
- INSECT SCREEN: 18x16 ALUM. MESH (MILL FINISH)

FINISHES

- STANDARD MILL
- FLUOROPOLYMER POWDER COAT (NOT AVAILABLE IN 600XL OR 700)
- KYNAR (500),(600XL)or(700)
- (1) OF CS STD. COLORS
- CUSTOM COLOR, CS REQUIRES A COLOR CHIP FOR MATCHING
- BRONZE ANODIC (DARK OR MED.)
- CLEAR ANODIZE
- OTHER _____

CS EXTRUDED ALUMINUM STORM RESISTANT LOUVER MODEL RS-5225. FRAMES AND BLADES TO BE FABRICATED FROM 6063-T6 ALLOY WITH REINFORCING BOSSES. ALL FASTENERS TO BE STAINLESS STEEL.

UNSUPPORTED BLADE LENGTH = @ PSF.

| MARK | QTY. | "A" DIM. | "B" DIM. | NUMBER OF SPLICES | LOUVER LOCATION | REMARKS |
|------|------|----------|----------|-------------------|-----------------|----------|
| | | | | | | |
| | | | | | | |
| | | | | | | |
| | | | | | | |
| | | | | | | |
| | | | | | | CKD. BY: |

Construction Specialties, Inc.
 3 Werner Way
 Lebanon, New Jersey 08833
 (800) 233-8493

| | |
|-----------|-----------|
| PROJECT: | DRAWN BY: |
| CUSTOMER: | DATE: |
| ARCH'T: | DWG. NO: |
| AGENT: | SHEET OF |