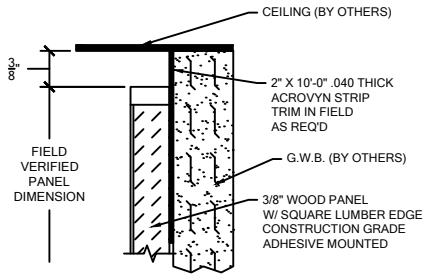
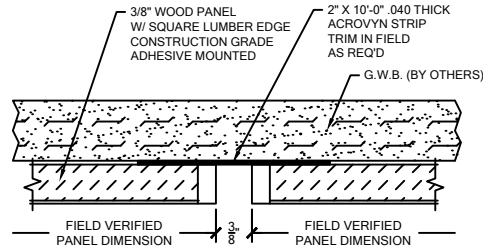


**NOTES:**

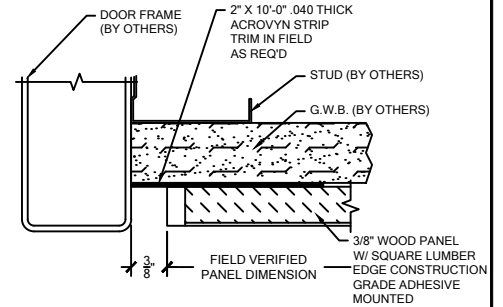
1. MAXIMUM SQUARE LUMBER EDGE PANEL SIZE IS 48" X 120".
2. ALL WALL PANELS HAVE A NOMINAL THICKNESS OF 3/8".
3. WOOD GRAIN DIRECTION IS PARALLEL TO THE 120" SIDE OF A VENEER EDGE PANEL UNLESS OTHERWISE NOTED.
4. PANEL SYSTEM IS DESIGNED TO BE FACTORY CUT. THEREFORE FIELD VERIFIED DIMENSIONS ARE REQUIRED.



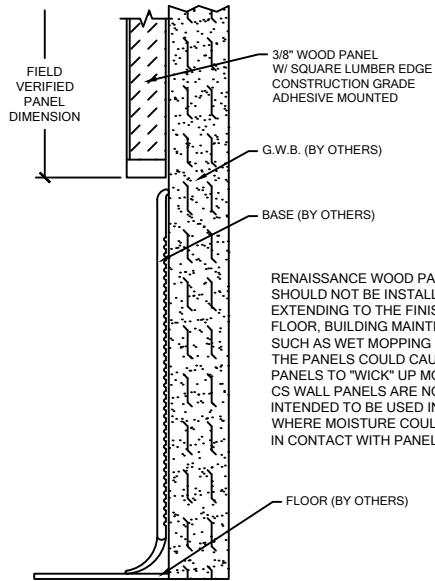
**CEILING REVEAL**



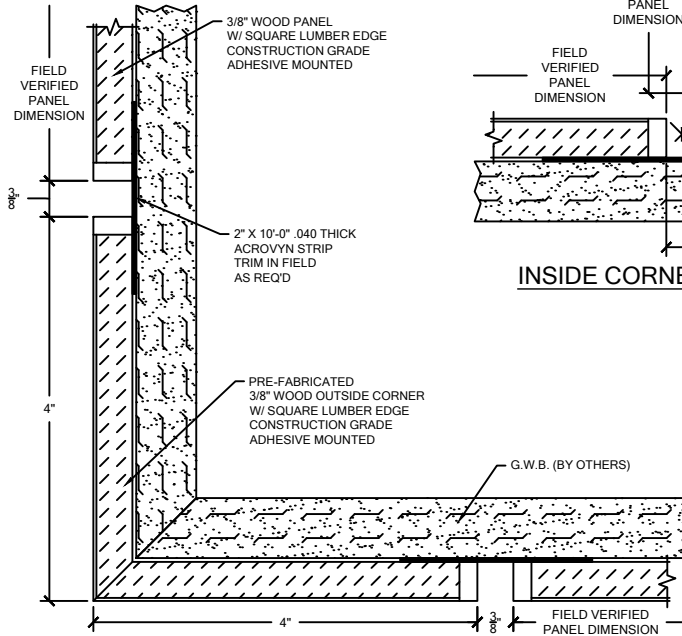
**VERTICAL REVEAL**



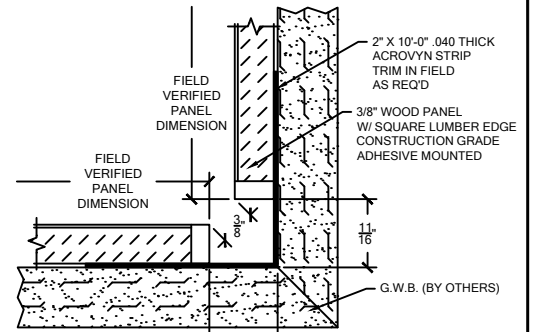
**END REVEAL**



**BASE CONDITION**



**OUTSIDE CORNER**



**INSIDE CORNER CONDITION**

RENAISSANCE WOOD PANELS SHOULD NOT BE INSTALLED EXTENDING TO THE FINISH FLOOR, BUILDING MAINTENANCE SUCH AS WET MOPPING NEAR THE PANELS COULD CAUSE THE PANELS TO "WICK" UP MOISTURE. CS WALL PANELS ARE NOT INTENDED TO BE USED IN AREAS WHERE MOISTURE COULD COME IN CONTACT WITH PANELS.

## SQUARE LUMBER EDGE RENAISSANCE WALL PANELS AT FULL HEIGHT



CS WALL PANELS ARE UL RATED AND MEET CLASS A/1 FIRE RATING WHEN TESTED IN ACCORDANCE WITH ASTM-E84

<b>PROJECT:</b>	<b>REVISION:</b>
<b>JOB NO.:</b>	<b>F&amp;F:</b>
<b>CUSTOMER:</b>	
<b>REP:</b>	<b>DATE:</b>
<b>DRAWN BY:</b>	<b>SHEET NO:</b>



Hughesville, PA | 800.233.8493 | 570.546.5941  
Mississauga, ON | 888.895.8955 | 905.274.3611  
[www.c-sgroup.com](http://www.c-sgroup.com)

© Copyright 2017 Construction Specialties, Inc.