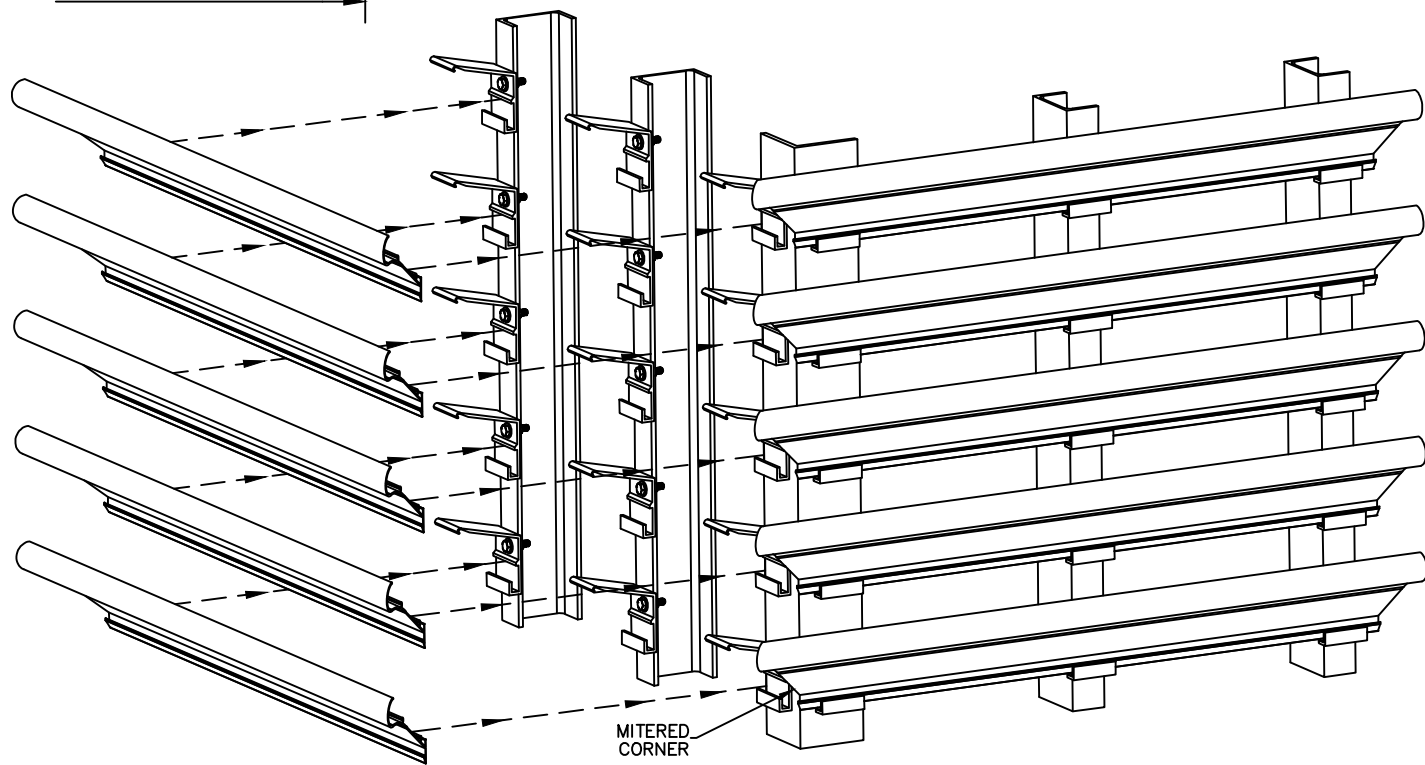
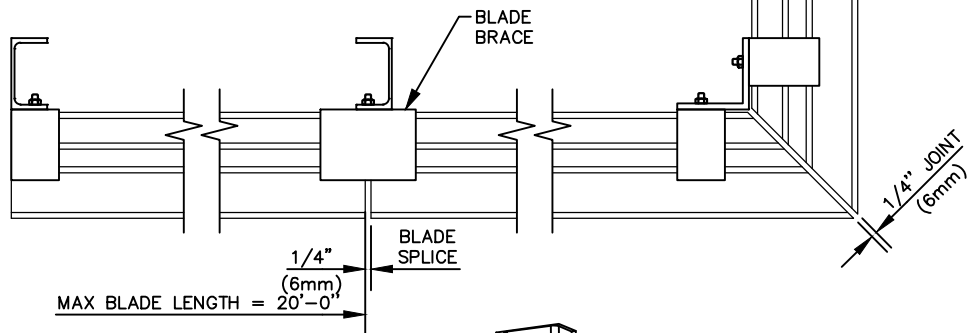
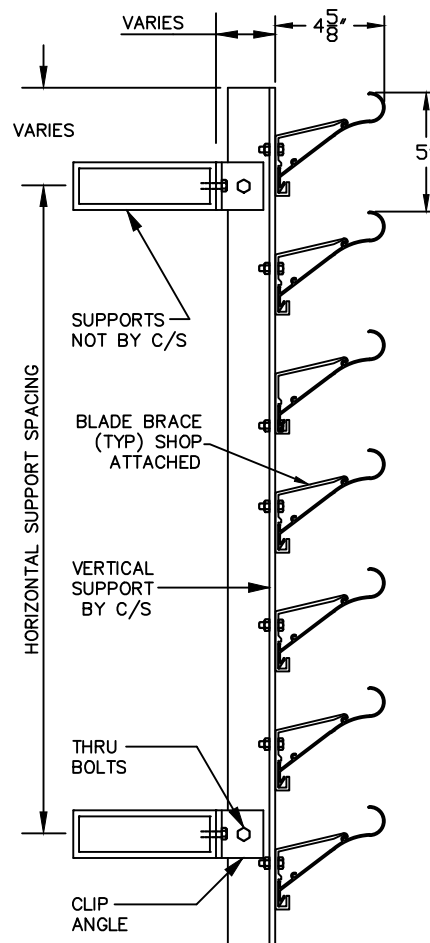
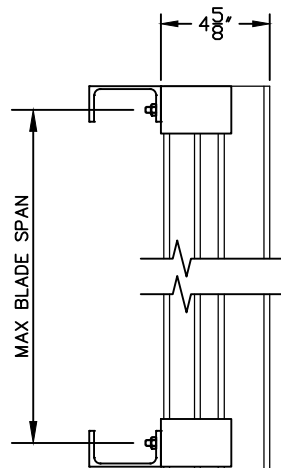


VAC-308



Construction Specialties™
 49 MEEKER AVENUE, CRANFORD, NEW JERSEY
 PHONE: 1-800-631-7379 / FAX: 908-272-5844

PROJECT: VAC-308

TITLE: PRODUCT SHEET

SCALE: NTS

DRW BY: J BLAKE

REVISION:

DATE: 8-9-18

SHEET: 1 OF 1

DRW NO : RD-