

1-1/8" STAINLESS STEEL GRIDLINE 2 (STRAIGHT RAILS) RECESSED DEEP PIT / WITH ALUMINUM DRAIN PAN LESS THAN 3"

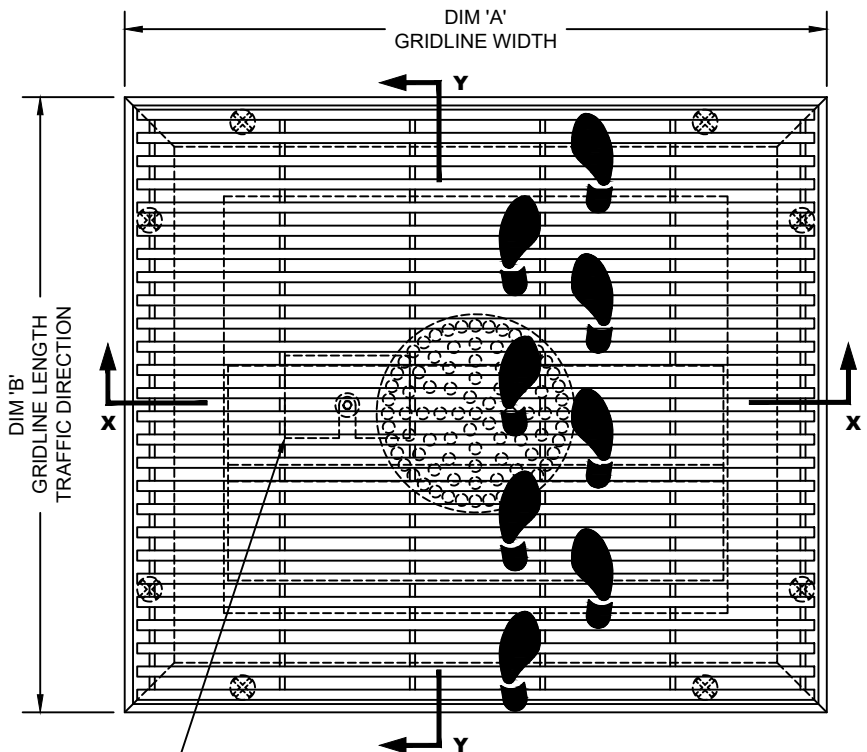
INSERT STYLE: N/A

INSERT COLOR: N/A

CATALOG NUMBER: G62

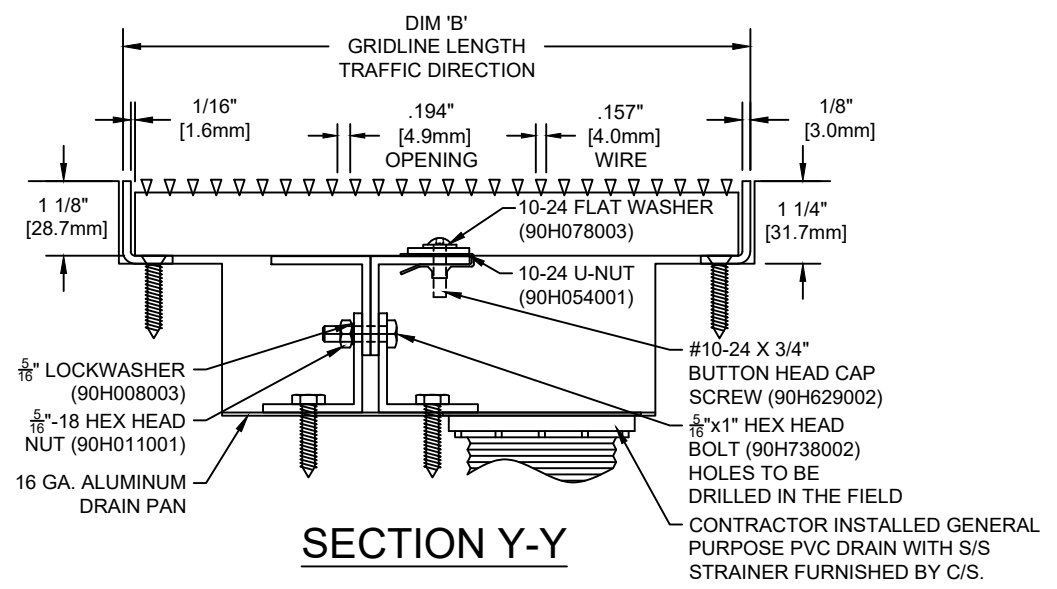
PART NUMBER:

NO.	REVISION	DATE	BY
NO.	F&F RELEASE	DATE	BY



1/8" X 1-7/8" X 1-1/4" HOLD-DOWN PLATE 1 AT EACH CORNER THEN SPACE 30" O.C. SLOT SHOULD RUN PARALLEL TO SUPPORTS ALL FACING SAME DIRECTION (90F040001).

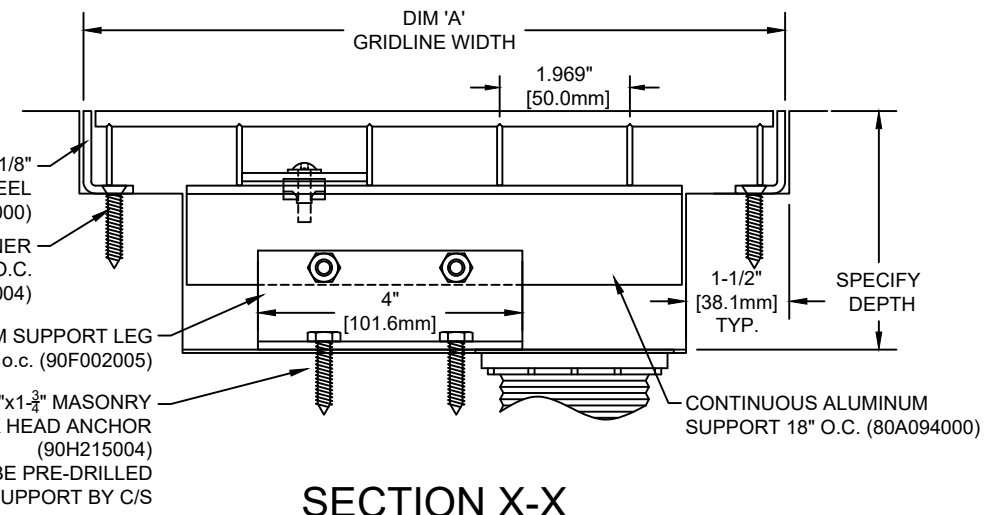
TYPICAL PLAN VIEW



SECTION Y-Y

HOLES TO BE DRILLED IN THE FIELD CONTRACTOR INSTALLED GENERAL PURPOSE PVC DRAIN WITH S/S STRAINER FURNISHED BY C/S.

1 1/4" X 3/4" X 1/8" STAINLESS STEEL ANGLE (16S003000)
MASONRY LAG FASTENER 24" (609.6mm) O.C. (90H066004)



SECTION X-X

ALUMINUM SUPPORT LEG MAX 18" o.c. (90F002005)
1/4" X 1-3/4" MASONRY HEX HEAD ANCHOR (90H215004)
HOLES TO BE PRE-DRILLED IN SUPPORT BY C/S

NOTES:

*MAX. SINGLE GRID SIZE NOT TO EXCEED 95-1/4" [2.419M] IN WIDTH (DIM 'A') AND 49-1/16" [1.246M] IN LENGTH (DIM 'B')
*ALL SURFACE WIRES AND SUPPORT BARS ARE ELECTRONICALLY RESISTANCE WELDED TO ENSURE CORRECT WEIGHT BEARING PROPERTIES.

*GRIDS SHALL BE ABLE TO SUPPORT A 300LB UNIFORM LOAD.
* SURFACE WIRE SPACING PROVIDES A 55.3% EFFECTIVE OPEN AREA FOR DIRT AND MOISTURE REMOVAL.

CS Construction Specialties
8696 Route 405 Highway, Muncy PA 17756
(800) 233-8493 • Fax (570) 546-4692 • www.c-sgroup.com

PLEASE VERIFY ALL	QTY	MARK #	LOCATION	MODEL	DIM 'A' WIDTH	DIM 'B' LENGTH	FRAME FINISH	REMARKS

PROJECT:		
LOCATION:		
CONTRACTOR:		
AGENT:		SHT:
DRG. BY:	DATE:	JOB NO.: