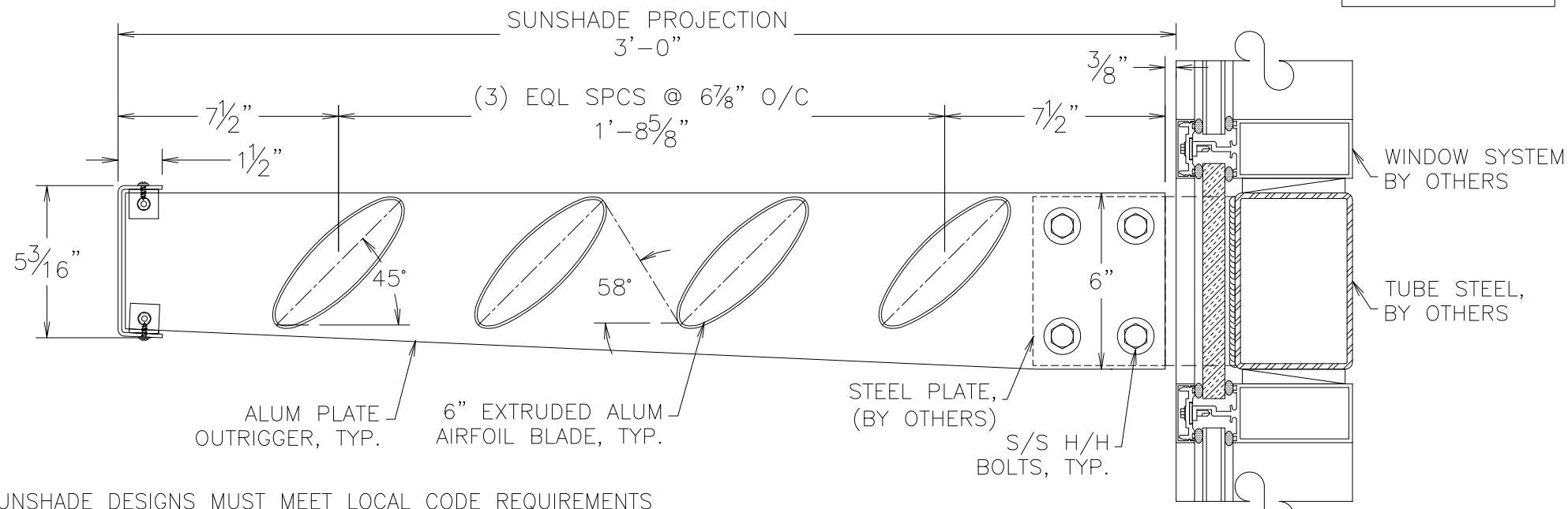


FORMED ALUM CHANNEL FASCIA (SHIPS LOOSE)

PLAN VIEW DETAIL OF CUSTOM CANTILEVER AIRFOIL SUNSHADE SYSTEM

WALL CONDITION IS ASSUMED



SUNSHADE PROJECTION 3'-0"

(3) EQL SPCS @ 6 7/8" O/C 1'-8 5/8"

5 3/16"

ALUM PLATE OUTRIGGER, TYP.

6" EXTRUDED ALUM AIRFOIL BLADE, TYP.

STEEL PLATE, (BY OTHERS)

S/S H/H BOLTS, TYP.

WINDOW SYSTEM, BY OTHERS

TUBE STEEL, BY OTHERS

SUNSHADE DESIGNS MUST MEET LOCAL CODE REQUIREMENTS PLEASE CONTACT C/S REPRESENTATIVE IN YOUR AREA FOR ASSISTANCE.

SECTION VIEW DETAIL OF CUSTOM CANTILEVER AIRFOIL SUNSHADE SYSTEM

100-3C-20

THIS DOCUMENT IS THE PROPERTY OF CONSTRUCTION SPECIALTIES, INC., WHICH CONTAINS CONFIDENTIAL PROPRIETARY INFORMATION THAT IS NOT TO BE DISCLOSED TO A THIRD PARTIES, AND IS NOT TO BE USED WITHOUT WRITTEN APPROVAL FROM CONSTRUCTION SPECIALTIES, INC.



Construction Specialties™

49 Meeker Avenue, Cranford, NJ 07016-3198
Phone (800)-526-6930 / Fax (908)-272-6038

PROJECT:	SCALE: 3/16" = 1"
LOCATION:	DSGN & DRW BY: MENA MORCOS
ARCH'S:	DATE:
AGENT:	DRW NO : 4