

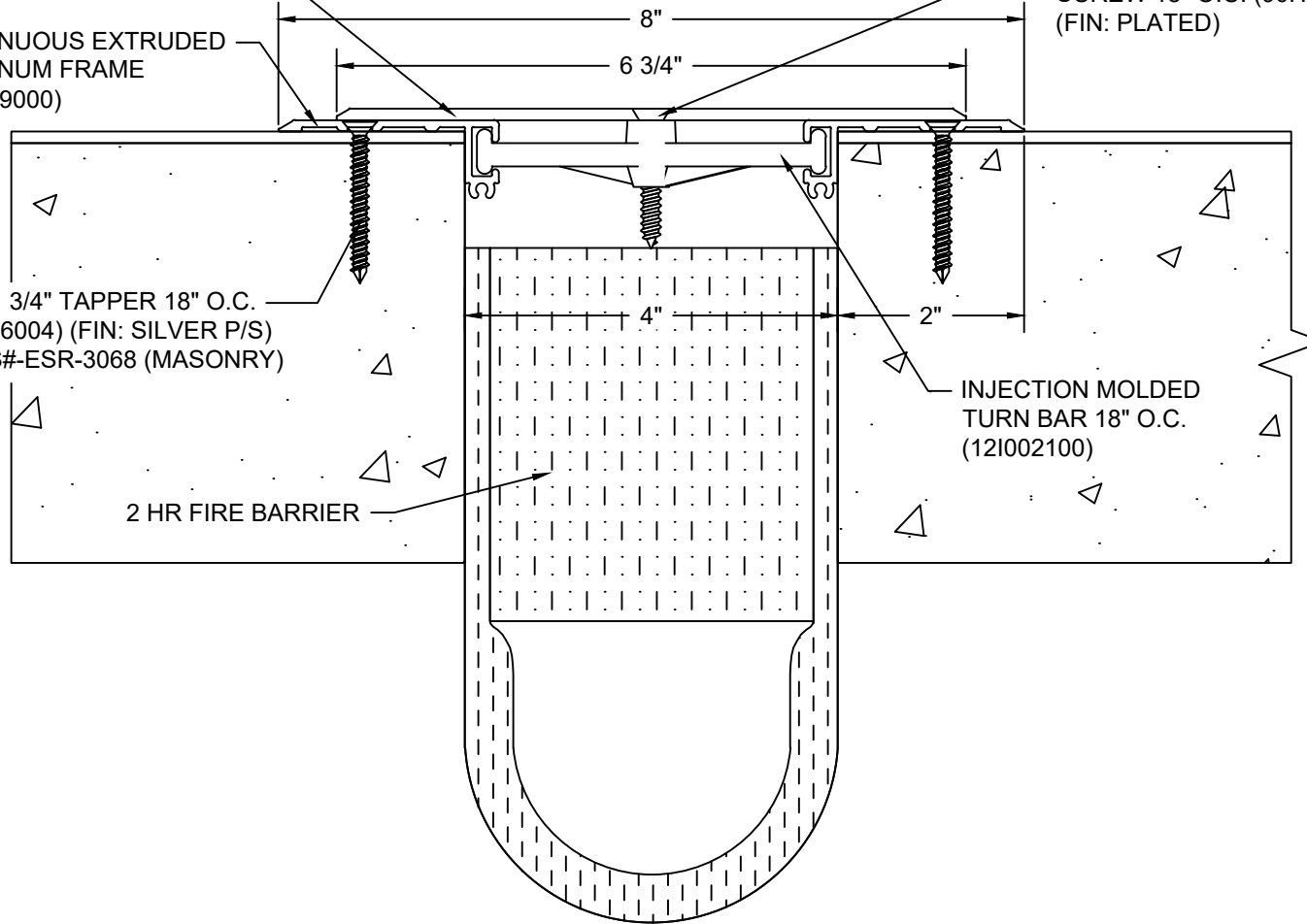
1/8" ALUMINUM CENTER
PLATE (80S005002)

CONTINUOUS EXTRUDED
ALUMINUM FRAME
(12A719000)

3/16"x1 3/4" TAPPER 18" O.C.
(90H236004) (FIN: SILVER P/S)
ICC-ES#-ESR-3068 (MASONRY)

2 HR FIRE BARRIER

#12x1 1/2" PFH TYPE A WOOD
SCREW 18" O.C. (90H238002)
(FIN: PLATED)



Model: RFB-400 W/ FB



Construction Specialties[®]

www.c-sgroup.com

6696 Route 405 Highway, Muncy, PA 17756
Phone: (800) 233-8493 / Fax: (570) 546-8022

895 Lakefront Promenade, Mississauga, Ontario L5E 2C2 Canada
Phone: (888) 895-8955 / Fax: (905) 274-6241

© Copyright 2018 Construction Specialties, Inc.

PROJECT:	SCALE: NTS
CUSTOMER:	DATE:
LOCATION:	JOB NO.:
DRAWN BY:	SHEET NO.: