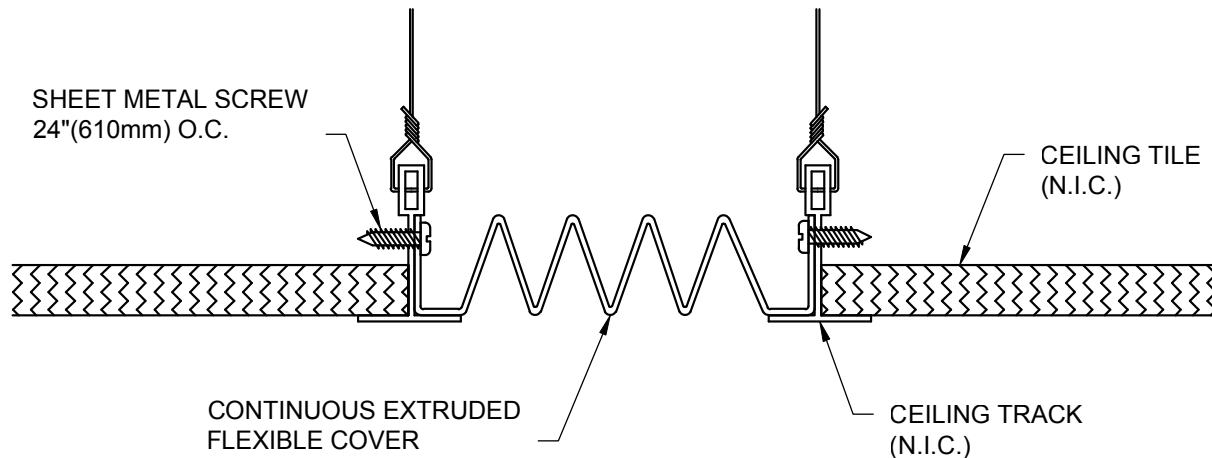
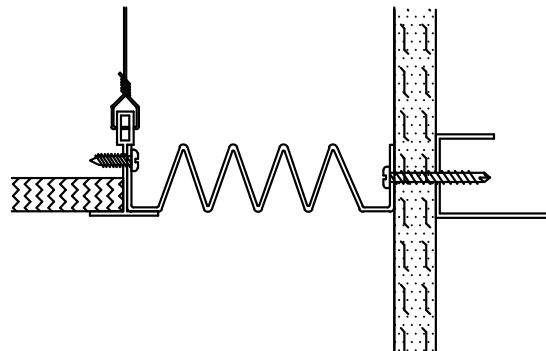


MODEL HC & HCW INSTALLATION INSTRUCTIONS



MODEL-HC



MODEL-HCW

IMPORTANT INFORMATION

Prior to the commencement of Installation, all materials **MUST** be inspected for Damage. Any damage must be reported to CONSTRUCTION SPECIALTIES, INC., as soon as possible, so that replacement materials may be furnished without delay.

All work must be completed as per Architect's Approved "Shop Drawings", and in accordance with these Installation Instructions. When installation is complete, all materials must be protected from damage until the Architect's FINAL INSPECTION.

All materials should be arranged in the order that they are to be installed. All hardware required for each portion of the work should be placed with the appropriate materials.

Please review all Approved Shop Drawings and this Document to familiarize yourself with all the details and components of this assembly.

IMPORTANT:
READ THROUGH ALL INSTRUCTIONS PRIOR TO STARTING INSTALLATION

9/14/11

CONSTRUCTION SPECIALTIES, INC.

P.O. BOX 380

MUNCY, PA 17756

PHONE: (570)546-5941 FAX: (570)546-8022

This document is the property of Construction Specialties, Inc. and contains CONFIDENTIAL PROPRIETARY INFORMATION that is not to be disclosed to third parties and is not to be used without approval in writing from Construction Specialties, Inc.

Notes:

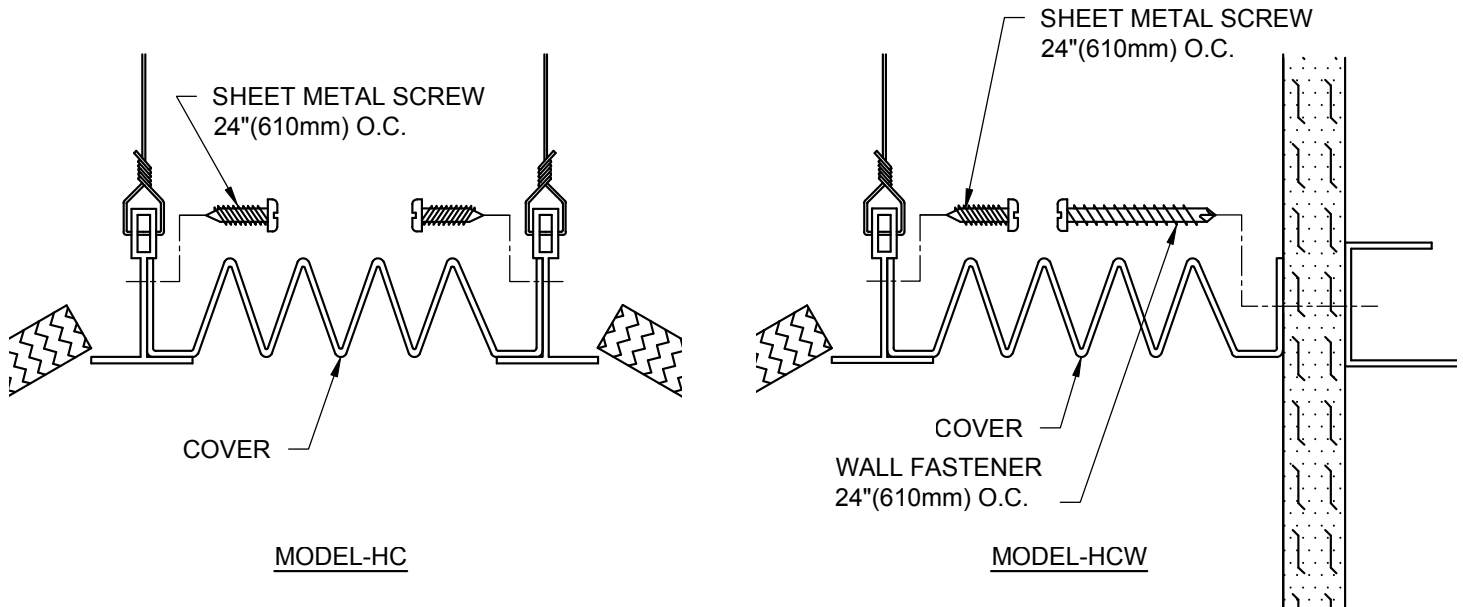
Before beginning installation, review the architectural drawings and approved Construction Specialties Inc. shop drawings to familiarize yourself with the joint cover models and locations.

Check all of the joint cover components to confirm that the correct joint cover model and size have been received. Also, check for materials that may have been damaged during shipping. Report all incorrect and/or damaged components to C/S at 800-233-8493.

Read through all the steps of these instructions prior to beginning work.

STEP 1

COVER INSTALLATION



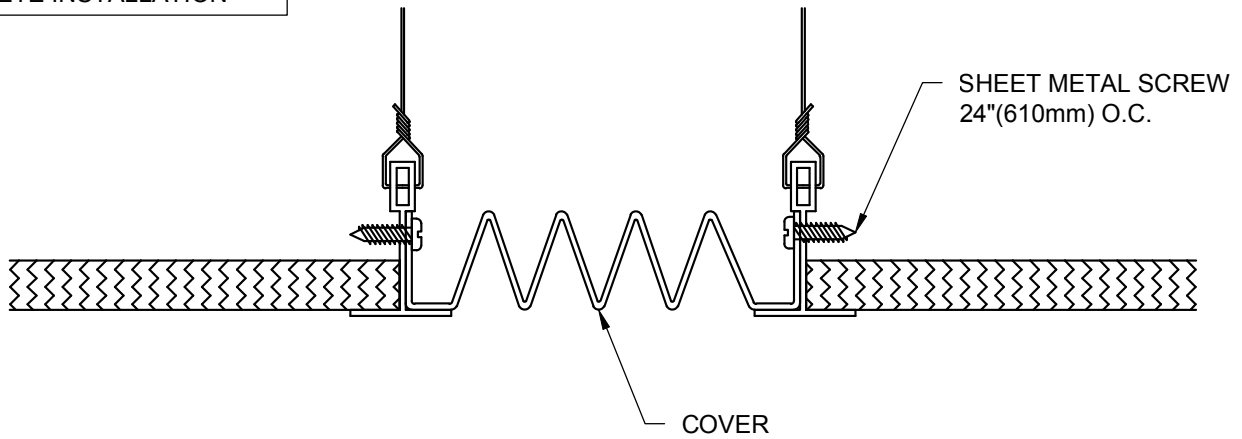
- 1.1) Begin installation of Cover by measuring and cutting a length of the Cover needed for the installation.
- 1.2) Prior to installing the ceiling tiles, place the Cover in between the ceiling track and the wall (see detail above).
- 1.3) Fasten the cover onto ceiling tracks using the C/S supplied screws.
- 1.4) Lay ceiling tiles into place.

Ceiling to Wall Application:

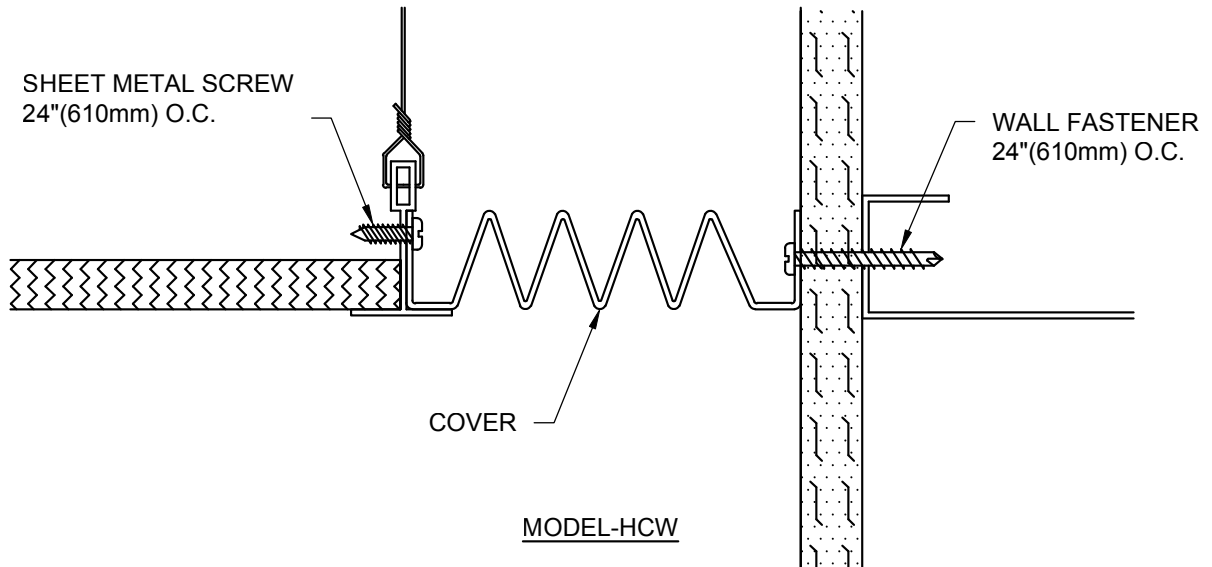
- 1.1w) Begin installation of Cover by measuring and cutting a length of the Cover needed for the installation.
- 1.2w) Prior to installing the ceiling tiles, place the Cover in between the ceiling tracks (see detail above).
- 1.3w) Fasten the cover into place using the C/S supplied wall fastener.
Note: depending on the wall construction, it may be necessary to pre-drill holes for the C/S supplied fasteners.
- 1.4w) Fasten the cover onto ceiling track using the C/S supplied screws.
- 1.5w) Lay ceiling tiles into place.

STEP 2

COMPLETE INSTALLATION



MODEL-HC



MODEL-HCW

- 2.1) When installation of the C/S Expansion Joint Cover has been completed, remove all residue and foreign matter from the area and joint cover.
- 2.2) Clean the C/S Joint Cover and adjoining surfaces with proper cleaner.
- 2.3) Protect the Joint Cover until the Architect's final inspection.