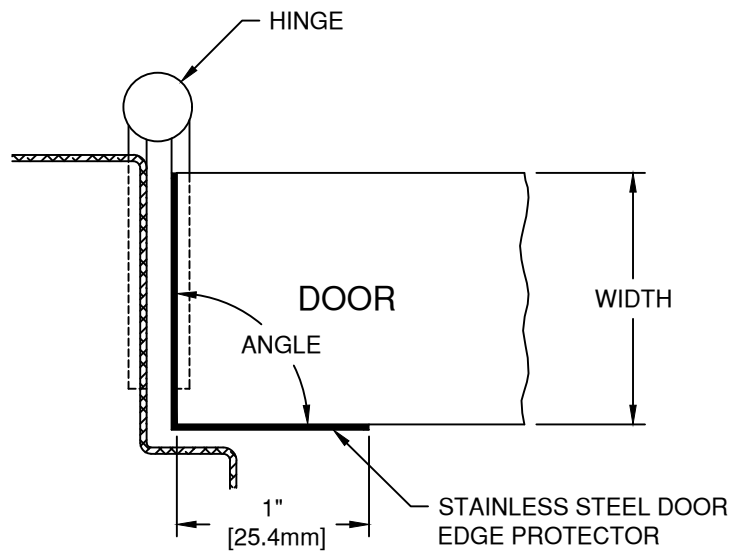
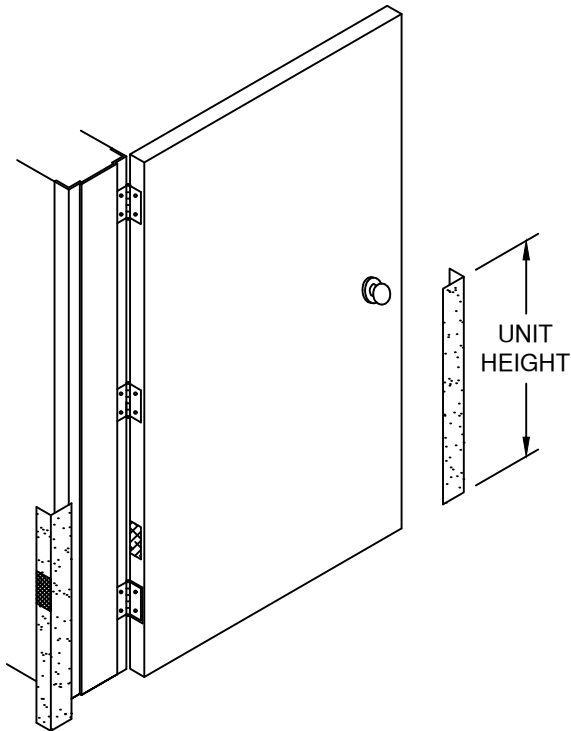


NOTES:


1. STAINLESS STEEL DOOR EDGE PROTECTORS TO BE 16 GA TYPE #304 ALLOY WITH #4 SATIN FINISH.
2. STAINLESS STEEL DOOR EDGE PROTECTORS ARE STRAIGHT EDGE, BEVELED EDGE NOT AVAILABLE.
3. STAINLESS STEEL DEP-L DOOR EDGE PROTECTORS ARE AVAILABLE IN 90 AND 93 DEGREE ANGLES.
4. FACTORY CUT OUTS FOR HINGES & STRIKE PLATES ARE AVAILABLE AND REQUIRE SPECIAL PRICING. SPECIFIC DIMENSIONS WOULD NEED TO BE PROVIDED.

UNITS REQ'D	UNIT HEIGHT	DOOR WIDTH	ANGLE



DEP-L STAINLESS STEEL

CONDITION	SPECIFIED FASTENER	QUANTITY	CS PART NUMBER
WOOD DOORS	FASTBOND 30 ADHESIVE	5 GALLON 1 GALLON 1 QUART	90M016001 90M014001 90M015001

 <p>Construction Specialties™ Hughesville, PA 800.233.8493 570.546.5941 Mississauga, ON 888.895.8955 905.274.3611 www.c-sgroup.com © Copyright 2018 Construction Specialties, Inc.</p>	PROJECT:	REVISION:
	JOB NO.:	F&F:
	CUSTOMER:	
	REP:	DATE:
	DRAWN BY:	SHEET NO: