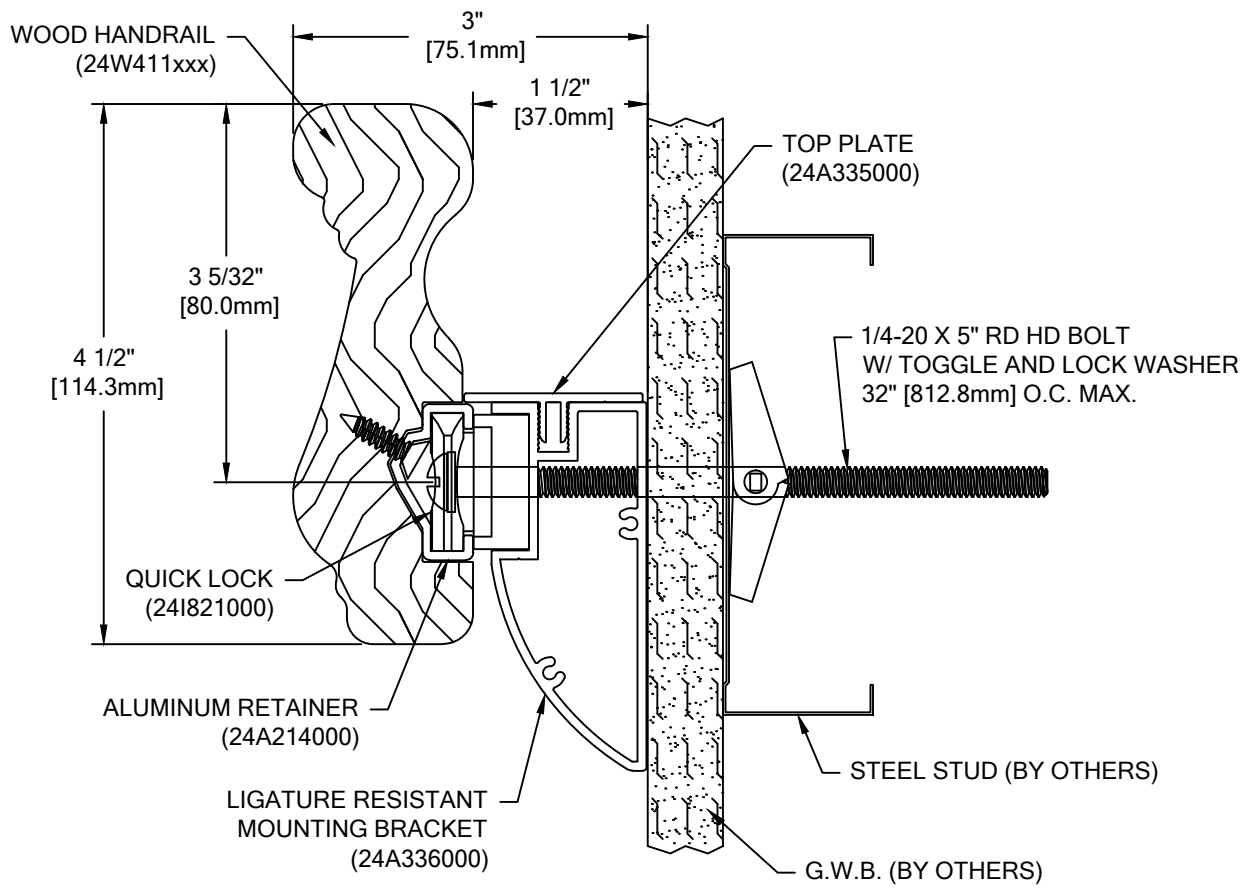


COLOR:
HANDRAIL WOOD SPECIES: _____
HANDRAIL WOOD FINISH: _____
***MOUNTING BRACKET:** _____
 COLOR TO BE SELECTED FROM ONE OF C/S STANDARD COLORS.

*MOUNTING BRACKET SUPPLIED IN STANDARD MILL FINISH. OPTIONAL CLEAR ANODIZED AND POWDER COAT FINISH AVAILABLE. PLEASE ADVISE POWDER COAT FINISH IF REQUIRED.


| TOTAL L/F REQ'D | LEFT END CAPS | RIGHT END CAPS |
|-----------------|---------------|----------------|
| | | |
| | | |
| | | |



HRW-45CM

FABRICATION AND APPEARANCE OF THIS WOOD RAIL MATERIAL IS BASED ON FACTORY CUT AND ATTACHED END CAPS. IF STOCK SIZES ARE REQUIRED, END CAPS MUST BE CUT IN THE FIELD BY INSTALLER OR C/S WILL NOT GUARANTEE MATCH AND APPEARANCE OF CAPS TO RAIL.

| WALL CONDITION | SPECIFIED FASTENER | DRILL DIAMETERS | | C/S PART NUMBER |
|-------------------------|--|-----------------|----------|------------------------|
| | | WALL | RETAINER | |
| STEEL STUD/GYPSUM WALL | 1/4-20 X 5" ROUND HEAD BOLT WITH TOGGLE, AND LOCK WASHER | 3/4" | 9/32" | 90H049002 90H006003 |
| CONCRETE/CONCRETE BLOCK | #14 X 5" PHILLIPS RD HD ALL-PURPOSE SCREW | 3/16" | 9/32" | 90H287002 |
| WOOD STUD/GYPSUM WALL | #14 X 5" PHILLIPS RD HD ALL-PURPOSE SCREW | 1/8" | 9/32" | 90H287002 |

| | | |
|--|------------------|------------------|
|  <p>Construction Specialties™ 6696 Route 405 Highway, Muncy PA 17756 (800) 233-8493 • Fax (570) 546-4692 • www.c-sgroup.com</p> | PROJECT: | REVISION: |
| | JOB NO.: | F&F: |
| | CUSTOMER: | |
| | REP: | DATE: |
| | DRAWN BY: | SHEET NO: |