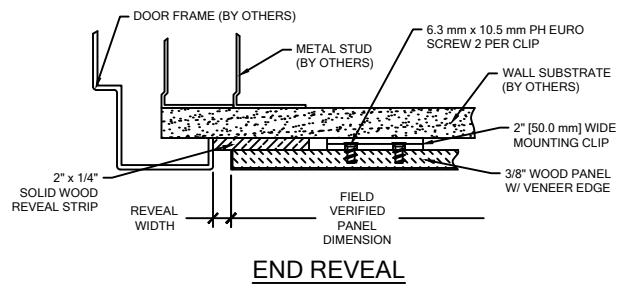
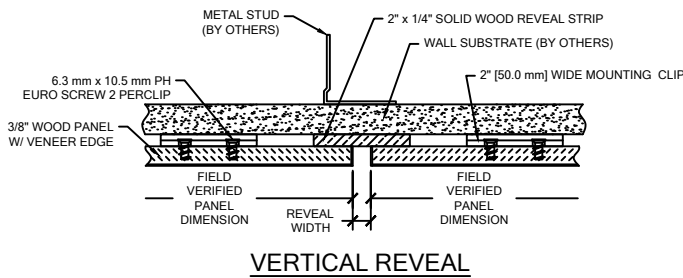
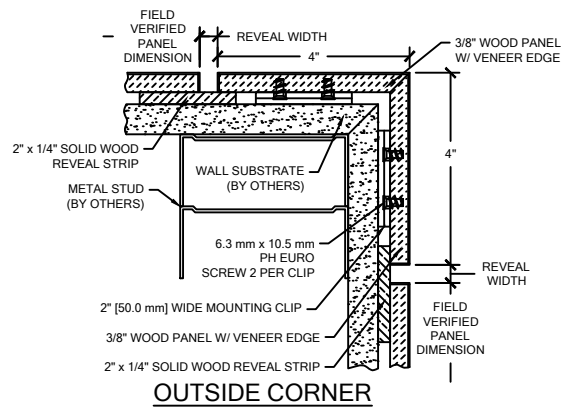
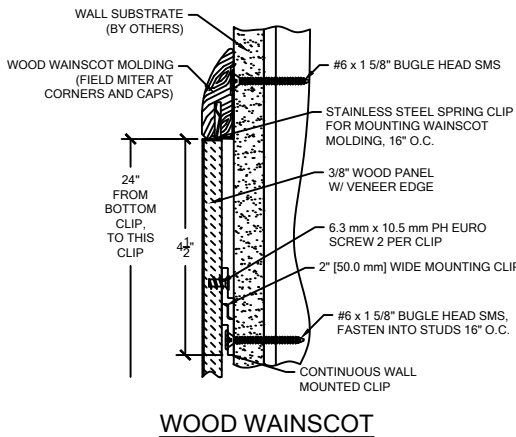
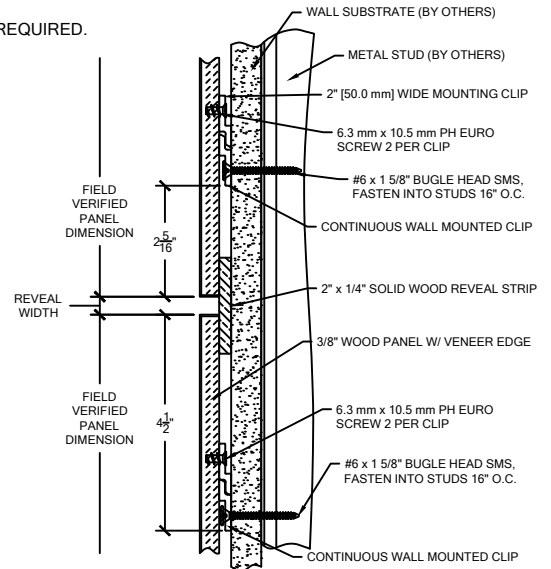
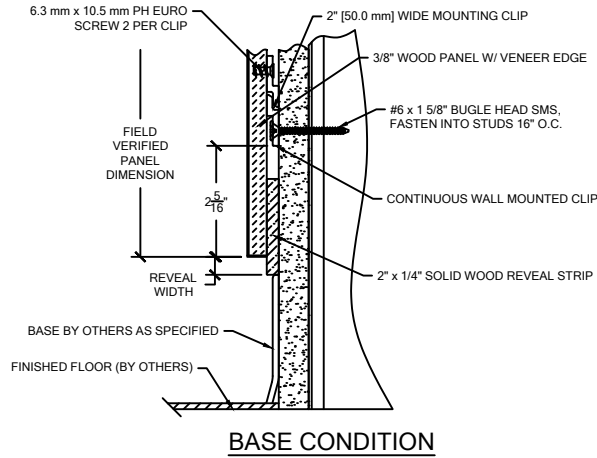


**NOTES:**

1. MAXIMUM VENEER EDGE PANEL SIZE IS 48" X 120".
2. ALL WALL PANELS HAVE A NOMINAL THICKNESS OF 3/8".
3. WOOD GRAIN DIRECTION IS PARALLEL TO THE 120" SIDE OF A VENEER EDGE PANEL UNLESS OTHERWISE NOTED.
4. PANEL SYSTEM IS DESIGNED TO BE FACTORY CUT. THEREFORE FIELD VERIFIED DIMENSIONS ARE REQUIRED.



CS WALL PANELS ARE UL RATED AND MEET CLASS A/1 FIRE RATING WHEN TESTED IN ACCORDANCE WITH ASTM-E84

# VENEER EDGE RENAISSANCE WALL PANELS DEMOUNTABLE "Z" CLIP SYSTEM AT PARTIAL HEIGHT



Hughesville, PA | 800.233.8493 | 570.546.5941  
Mississauga, ON | 888.895.8955 | 905.274.3611  
[www.c-sgroup.com](http://www.c-sgroup.com)

© Copyright 2017 Construction Specialties, Inc.

<b>PROJECT:</b>	<b>REVISION:</b>
<b>JOB NO.:</b>	<b>F&amp;F:</b>
<b>CUSTOMER:</b>	
<b>REP:</b>	<b>DATE:</b>
<b>DRAWN BY:</b>	<b>SHEET NO:</b>