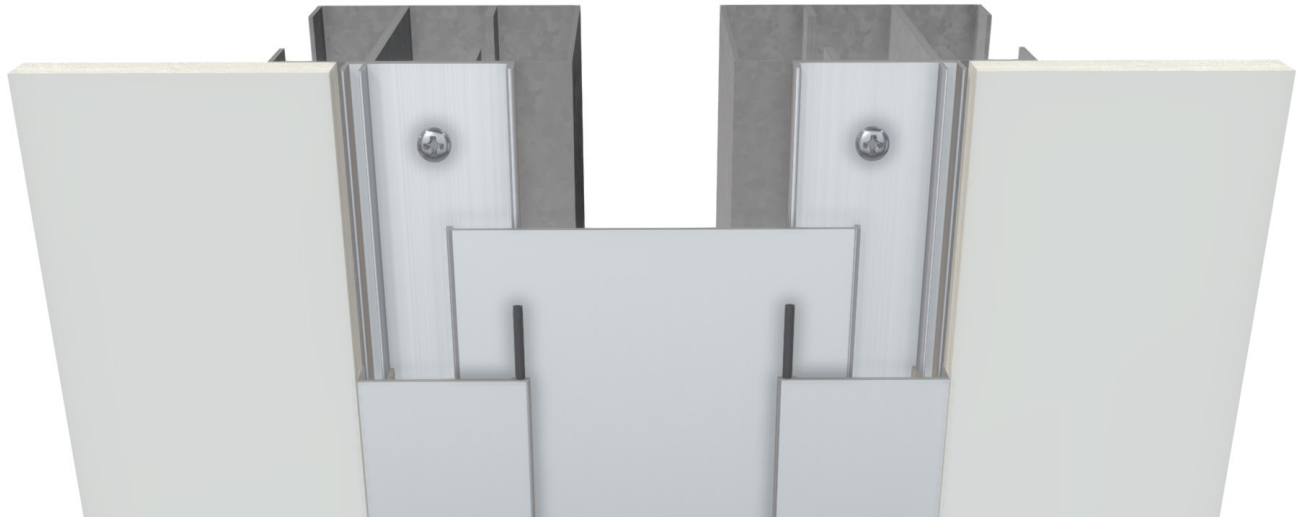


AFW Series



This flush metal wall and ceiling cover is designed for interior applications where low maintenance or tamper resistance is desired. The free-floating aluminum center plate spans the joint and slides between retainer assemblies to allow for required movement. The cover can be painted to match nearly any finish, and is available in aluminum, brass or stainless steel decorative alloys.

Product Details

- Joint sizes range from 1" to 8" (25.4mm to 203.2mm)
- 10' (3.048m) stock lengths
- Select sizes are in stock for fast shipping
- Meets ASTM E1399
- Standard Five-Year Warranty

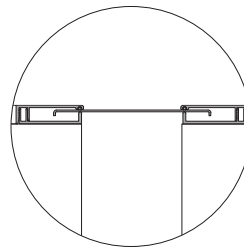


Vapor
Barrier

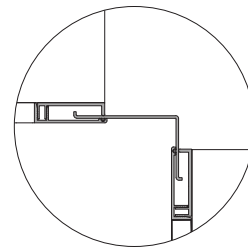


Fire
Barrier

Applications



Wall to Wall
Ceiling to Ceiling



Wall to Wall Corner
Ceiling to Wall

Standard Finish



Clear
Anodize

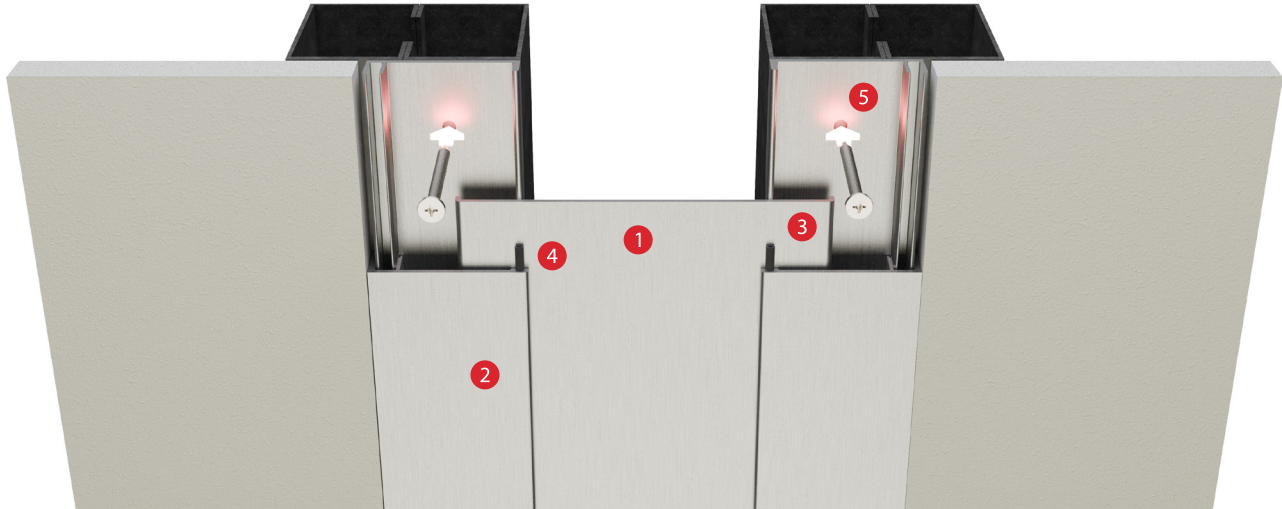
Aluminum in contact with concrete/masonry will have a 2 mil, heavy metal free, high solids primer. For custom applications, loading or finishes, contact your Representative.



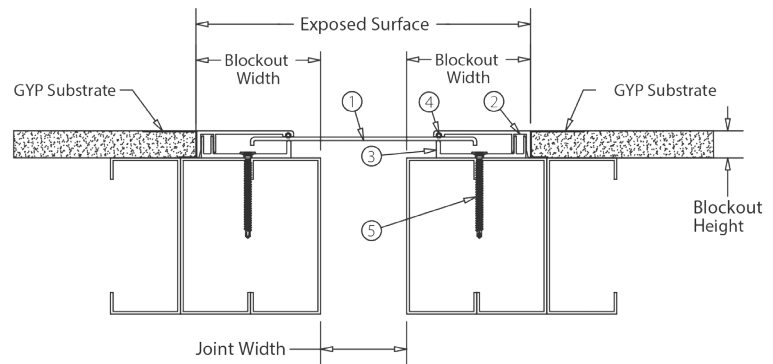
Additional resources

AFW - Wall to Wall

[Buy Online](#)



- 1. Floating extruded aluminum center plate
- 2. Continuous extruded aluminum cover plate
- 3. Extruded aluminum retainer clip (hidden behind)
- 4. Duroflex gasket
- 5. Fastener



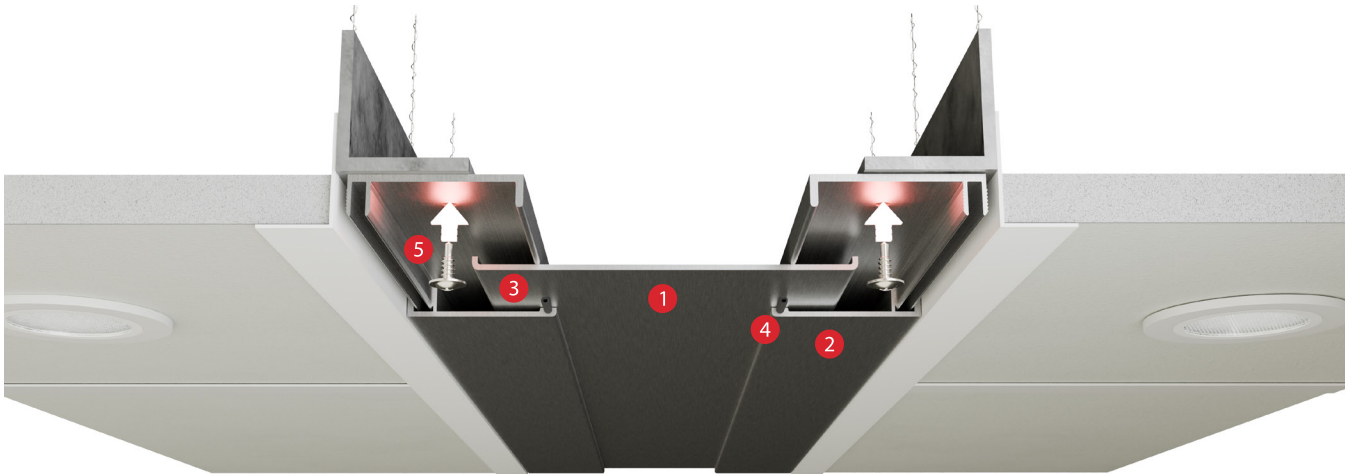
Wall to Wall - Performance Data

MODEL	JOINT WIDTH	MIN. OPENING	MAX. OPENING	EXPOSED SURFACE	BLOCKOUT WIDTH	BLOCKOUT HEIGHT
AFW-100	1.00" (25mm)	0.38" (10mm)	1.88" (48mm)	5.00" (127mm)	2.00" (51mm)	0.63" (16mm)
AFW-200	2.00" (51mm)	0.38" (10mm)	3.50" (89mm)	7.75" (197mm)	2.88" (73mm)	0.63" (16mm)
AFW-300	3.00" (76mm)	0.00" (0mm)	6.25" (159mm)	10.75" (273mm)	3.88" (99mm)	0.63" (16mm)
AFW-400	4.00" (102mm)	1.00" (25mm)	7.25" (184mm)	11.75" (298mm)	3.88" (99mm)	0.63" (16mm)
AFW-500	5.00" (127mm)	2.00" (51mm)	8.00" (203mm)	12.75" (324mm)	3.88" (99mm)	0.63" (16mm)
AFW-600	6.00" (152mm)	3.00" (76mm)	9.00" (229mm)	13.75" (349mm)	3.88" (99mm)	0.63" (16mm)
AFW-700	7.00" (178mm)	2.88" (73mm)	11.00" (279mm)	17.00" (432mm)	5.00" (127mm)	0.63" (16mm)
AFW-800	8.00" (203mm)	4.00" (102mm)	12.00" (305mm)	18.00" (457mm)	5.00" (127mm)	0.63" (16mm)

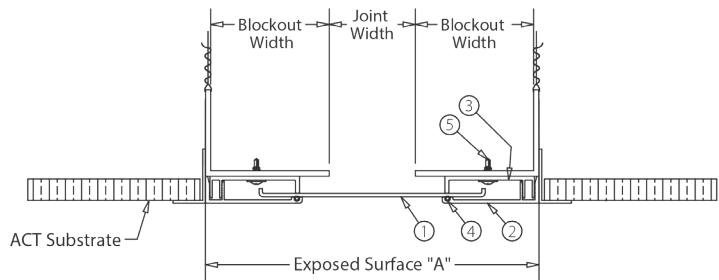
This model is also available in Stainless Steel (AFW-xxxS) or Bronze (AFW-xxxB).

AFW - Ceiling to Ceiling

[Buy Online](#)



- 1. Floating extruded aluminum center plate
- 2. Continuous extruded aluminum cover plate
- 3. Extruded aluminum retainer clip (hidden behind)
- 4. Duroflex gasket
- 5. Fastener

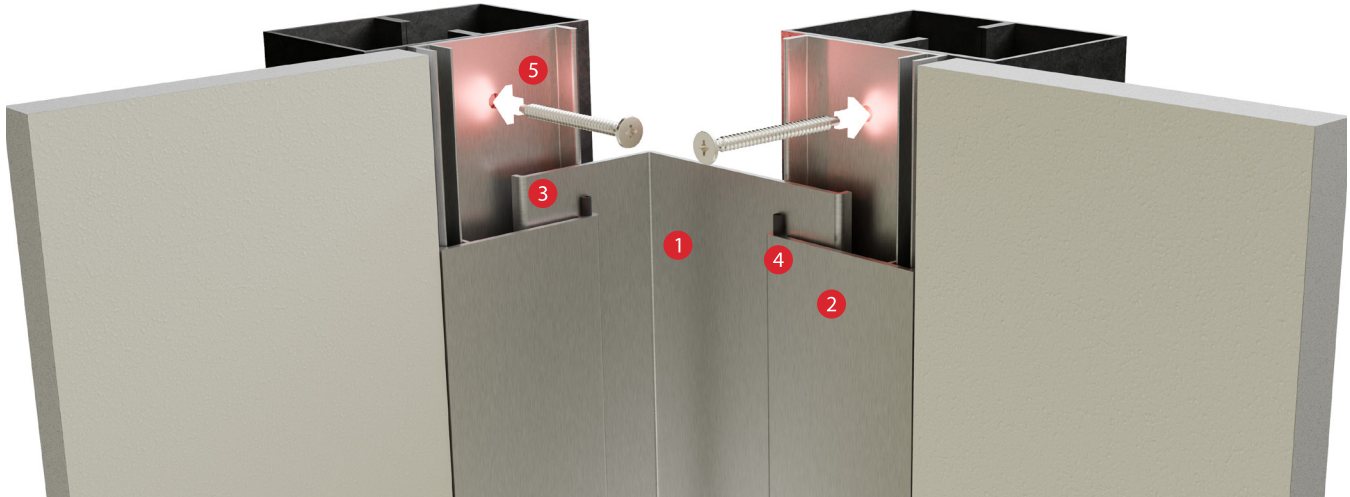


Ceiling to Ceiling - Performance Data

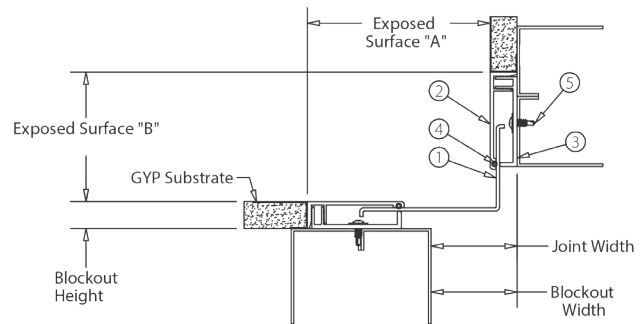
MODEL	JOINT WIDTH	MIN. OPENING	MAX. OPENING	EXPOSED SURFACE "A"	EXPOSED SURFACE "B"	BLOCKOUT WIDTH	BLOCKOUT HEIGHT
AFW-100	1.00" (25mm)	0.38" (10mm)	1.88" (48mm)	5.00" (127mm)	N/A	2.00" (51mm)	0.63" (16mm)
AFW-200	2.00" (51mm)	0.38" (10mm)	3.50" (89mm)	7.75" (197mm)	N/A	2.88" (73mm)	0.63" (16mm)
AFW-300	3.00" (76mm)	0.00" (0mm)	6.25" (159mm)	10.75" (273mm)	N/A	3.88" (99mm)	0.63" (16mm)
AFW-400	4.00" (102mm)	1.00" (25mm)	7.25" (184mm)	11.75" (298mm)	N/A	3.88" (99mm)	0.63" (16mm)
AFW-500	5.00" (127mm)	2.00" (51mm)	8.00" (203mm)	12.75" (324mm)	N/A	3.88" (99mm)	0.63" (16mm)
AFW-600	6.00" (152mm)	3.00" (76mm)	9.00" (229mm)	13.75" (349mm)	N/A	3.88" (99mm)	0.63" (16mm)
AFW-700	7.00" (178mm)	2.88" (73mm)	11.00" (279mm)	17.00" (432mm)	N/A	5.00" (127mm)	0.63" (16mm)
AFW-800	8.00" (203mm)	4.00" (102mm)	12.00" (305mm)	18.00" (457mm)	N/A	5.00" (127mm)	0.63" (16mm)

This model is also available in Stainless Steel (AFW-xxxS) or Bronze (AFW-xxxB).

AFWC - Wall to Wall Corner



1. Floating extruded aluminum center plate
2. Continuous extruded aluminum cover plate
3. Extruded aluminum retainer clip (hidden behind)
4. Duroflex gasket
5. Fastener

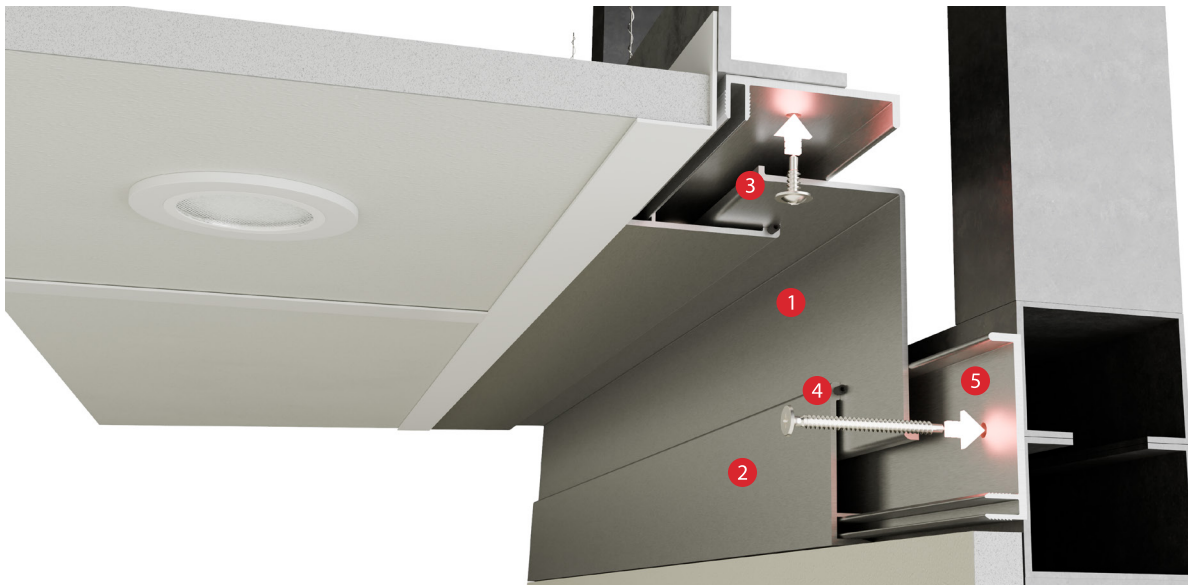


Wall to Wall Corner - Performance Data

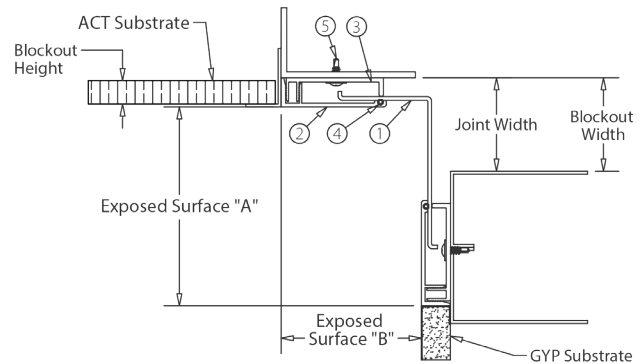
MODEL	JOINT WIDTH	MIN. OPENING	MAX. OPENING	EXPOSED SURFACE "A"	EXPOSED SURFACE "B"	BLOCKOUT WIDTH	BLOCKOUT HEIGHT
AFWC-100	1.00" (25mm)	0.63" (16mm)	1.44" (37mm)	2.38" (60mm)	2.00" (51mm)	2.00" (51mm)	0.63" (16mm)
AFWC-200	2.00" (51mm)	1.19" (30mm)	2.75" (70mm)	4.25" (108mm)	3.00" (76mm)	2.88" (73mm)	0.63" (16mm)
AFWC-300	3.00" (76mm)	1.44" (37mm)	4.63" (118mm)	6.25" (159mm)	5.25" (133mm)	3.88" (99mm)	0.63" (16mm)
AFWC-400	4.00" (102mm)	2.44" (62mm)	5.63" (143mm)	7.25" (184mm)	5.25" (133mm)	3.88" (99mm)	0.63" (16mm)
AFWC-500	5.00" (127mm)	3.44" (87mm)	6.38" (162mm)	8.25" (210mm)	5.25" (133mm)	3.88" (99mm)	0.63" (16mm)
AFWC-600	6.00" (152mm)	4.44" (113mm)	7.38" (187mm)	9.25" (235mm)	5.25" (133mm)	3.88" (99mm)	0.63" (16mm)
AFWC-700	7.00" (178mm)	5.00" (127mm)	9.00" (229mm)	11.38" (289mm)	5.25" (133mm)	5.00" (127mm)	0.63" (16mm)
AFWC-800	8.00" (203mm)	6.00" (152mm)	10.00" (254mm)	12.38" (314mm)	5.25" (133mm)	5.00" (127mm)	0.63" (16mm)

This model is also available in Stainless Steel (AFWC-xxxS) or Bronze (AFWC-xxxB).

AFWC - Ceiling to Wall



1. Floating extruded aluminum center plate
2. Continuous extruded aluminum cover plate
3. Extruded aluminum retainer clip (hidden behind)
4. Duroflex gasket
5. Fastener



Ceiling to Wall - Performance Data

MODEL	JOINT WIDTH	MIN. OPENING	MAX. OPENING	EXPOSED SURFACE "A"	EXPOSED SURFACE "B"	BLOCKOUT WIDTH	BLOCKOUT HEIGHT
AFWC-100	1.00" (25mm)	0.63" (16mm)	1.44" (37mm)	2.38" (60mm)	2.00" (51mm)	2.00" (51mm)	0.63" (16mm)
AFWC-200	2.00" (51mm)	1.19" (30mm)	2.75" (70mm)	4.25" (108mm)	3.00" (76mm)	2.88" (73mm)	0.63" (16mm)
AFWC-300	3.00" (76mm)	1.44" (37mm)	4.63" (118mm)	6.25" (159mm)	5.25" (133mm)	3.88" (99mm)	0.63" (16mm)
AFWC-400	4.00" (102mm)	2.44" (62mm)	5.63" (143mm)	7.25" (184mm)	5.25" (133mm)	3.88" (99mm)	0.63" (16mm)
AFWC-500	5.00" (127mm)	3.44" (87mm)	6.38" (162mm)	8.25" (210mm)	5.25" (133mm)	3.88" (99mm)	0.63" (16mm)
AFWC-600	6.00" (152mm)	4.44" (113mm)	7.38" (187mm)	9.25" (235mm)	5.25" (133mm)	3.88" (99mm)	0.63" (16mm)
AFWC-700	7.00" (178mm)	5.00" (127mm)	9.00" (229mm)	11.38" (289mm)	5.25" (133mm)	5.00" (127mm)	0.63" (16mm)
AFWC-800	8.00" (203mm)	6.00" (152mm)	10.00" (254mm)	12.38" (314mm)	5.25" (133mm)	5.00" (127mm)	0.63" (16mm)

This model is also available in Stainless Steel (AFWC-xxxS) or Bronze (AFWC-xxxB).

AFW Series

Material Details

- Aluminum extrusions made from multiple alloys & tempers established to be the most appropriate for the given use of individual parts. Will be one of the following:
 - (6063-T5, T6, T52) (6061-T5, T6, T51) (6105-T5, T6) (6005-T5) (6005A-T5, T61), ASTM B221
- Stainless Steel and Bronze inserts available, add the suffix S or B to the model name (ex: AFW-xxxS or AFWC-xxxB)
- Aluminum Sheet
 - 6061-T6, 3003-H14, 5005-H34, ASTM B209
- Stainless Steel Sheet
 - Type 304 ASTM A167, A240A, A240M
- Bronze Sheet
 - C28000 Muntz Metal ASTM B455
- Single Durometer - 65 Shore A, ASTM D2000