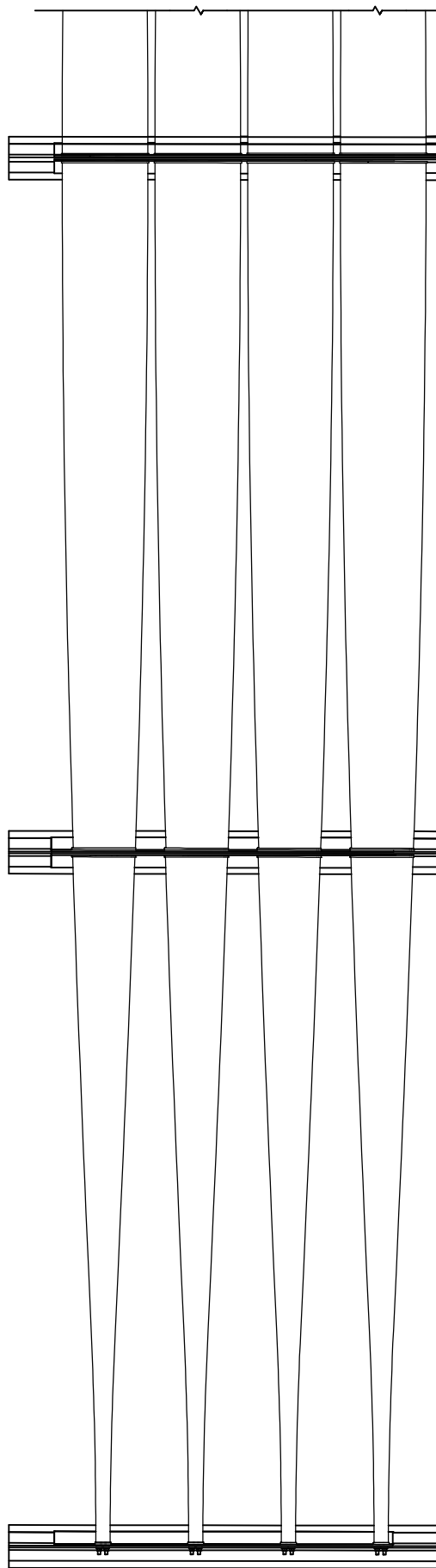
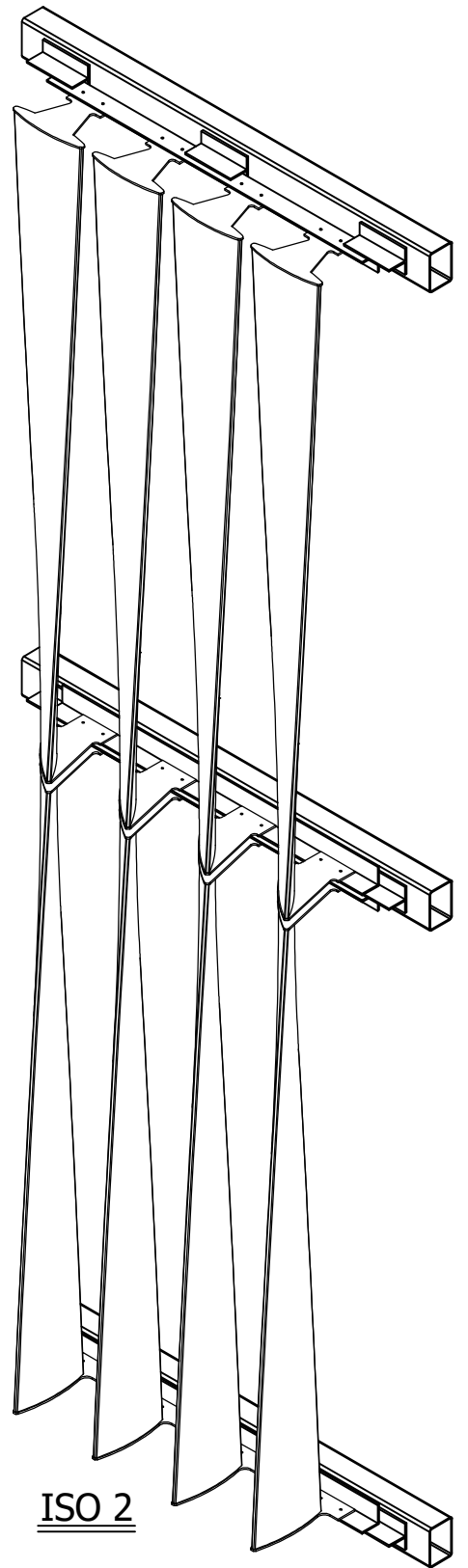


ISO 1



ELEVATION



ISO 2



Construction Specialties™

49 MEEKER AVENUE, CRANFORD, NEW JERSEY
 PHONE: 1-800-631-7379 / FAX: 908-272-5844

PROJECT: TWISTED SUNSHADE

TITLE: AFB ELEVATION AND ISO

SCALE: 1/2" = 1'

DRW BY: J BLAKE

REVISION: 02-13-19

DATE: 2-14-18

SHEET: 3 OF 3

DRW NO : RD-