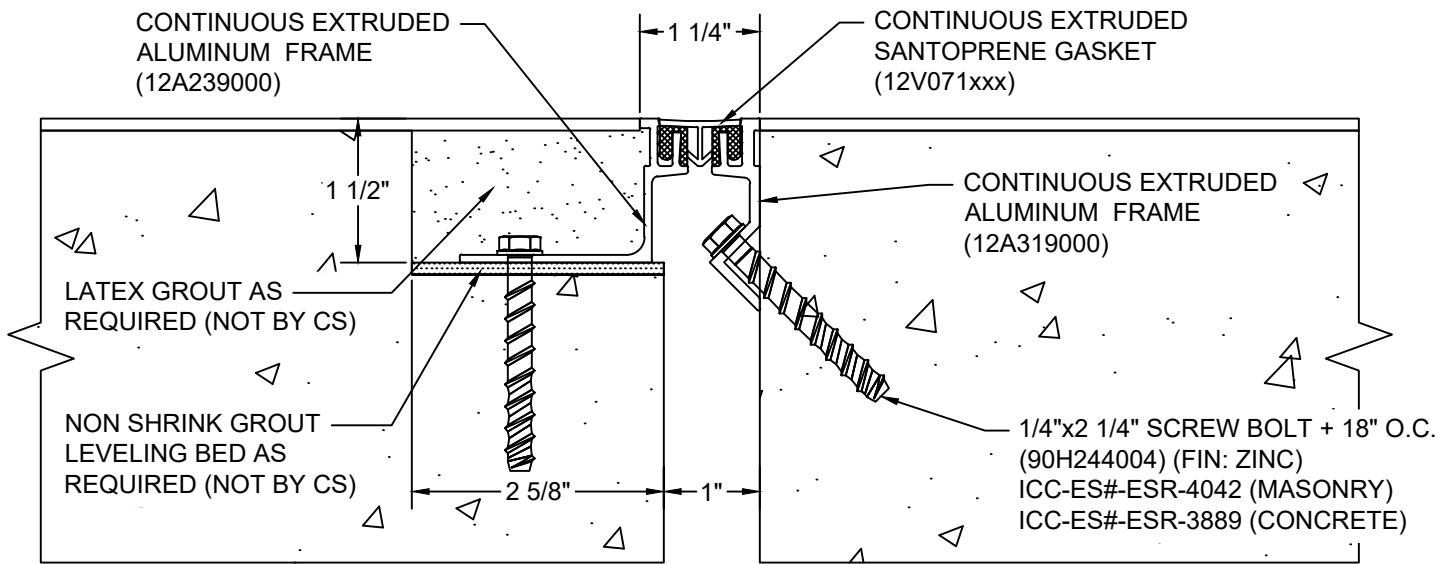


\*\*\* CUSTOM COLORS ARE AVAILABLE AT AN ADDITIONAL CHARGE, SUBJECT TO MINIMUM QUANTITIES. \*\*\*



# Model: GFT-100X1.5M



**Construction Specialties**  
[www.c-sgroup.com](http://www.c-sgroup.com)  
 6696 Route 405 Highway, Muncy, PA 17756  
 Phone: (800) 233-8493 / Fax: (570) 546-8022



895 Lakefront Promenade, Mississauga, Ontario L5E 2C2 Canada  
 Phone: (888) 895-8955 / Fax: (905) 274-6241

© Copyright 2016 Construction Specialties, Inc.

|           |            |
|-----------|------------|
| PROJECT:  | SCALE: NTS |
| CUSTOMER: | DATE:      |
| LOCATION: | JOB NO.:   |
| DRAWN BY: | SHEET NO.: |