

COLOR: _____
 DOOR FRAME PROTECTOR: _____
 COLOR TO BE SELECTED FROM ONE OF C/S STANDARD COLORS.

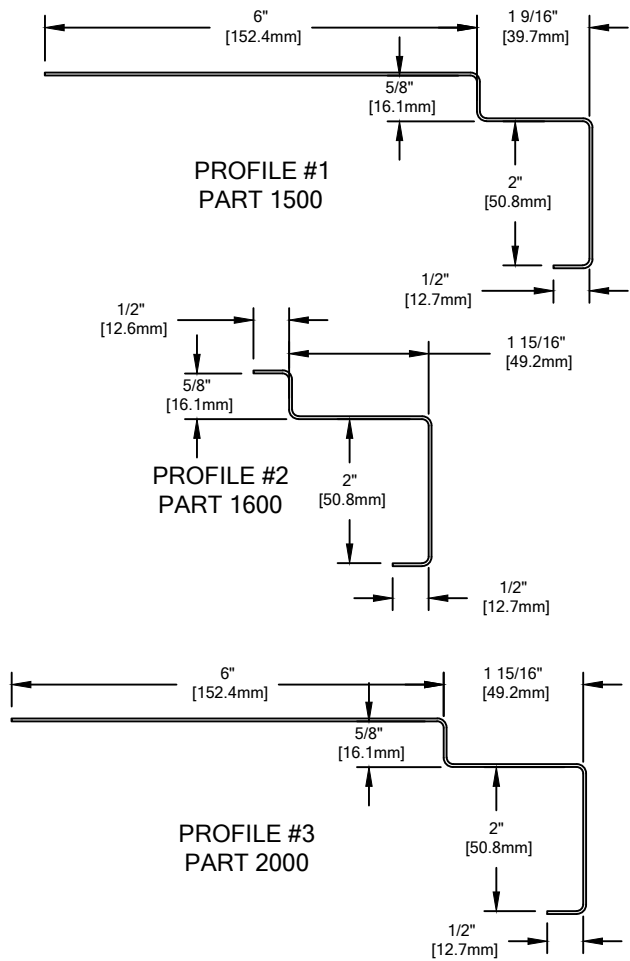
PROFILE #	UNIT HEIGHT	QTY LEFT LATCH	QTY RIGHT HINGE	QTY HEADER

- NOTE:**
- ACROVYN DOOR FRAME PROTECTORS MAY GAP AWAY FROM FRAME 1/32" TO 1/16" AND HAVE A TOLERANCE OF +1/16" / -0".
 - PLEASE ADVISE ON RIGHT IF OPTIONAL HEAT STAMP IS REQUIRED ON DOOR FRAME PROTECTOR
 - OPTIONAL FIRE RATING HEAT STAMP LOCATED ON FACE OF DOOR FRAME PROTECTOR.

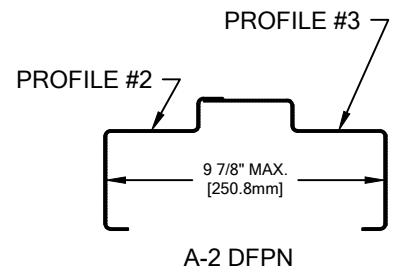
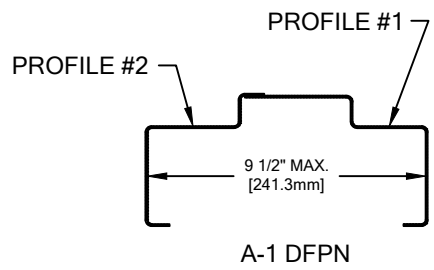
OPTIONAL HEAT STAMP REQUIRED (YES / NO) _____

SELECT HINGE SIDE PER PROFILE BELOW: 1, 2 OR 3 _____

AVAILABLE PROFILES



4. THE TERMS "LEFT LATCH" AND "RIGHT HINGE" ARE USED TO EXPLAIN ORIENTATION AND DETERMINE SIDE OF DOOR FRAME REQUIRED. EXAMPLE: DOOR LATCH SHOULD BE ON LEFT HAND SIDE, DOOR HINGE SHOULD BE ON RIGHT HAND SIDE. PLEASE ADVISE ABOVE.



**A SERIES DFPN
 ACROVYN 4000**

CONDITION	SPECIFIED FASTENER	QUANTITY	C/S PART NUMBER
WOOD & METAL DOORS	FASTBOND 30 ADHESIVE	5 GALLON 1 GALLON 1 QUART	90M016001 90M014001 90M015001
WOOD & METAL DOORS	DOUBLE SIDED TAPE	3/4" WIDE	90M181002

PROJECT:	REVISION:
JOB NO.:	F&F:
CUSTOMER:	
REP:	DATE:
DRAWN BY:	SHEET NO:

CS Construction Specialties™
 6696 Route 405 Highway, Muncy PA 17756
 (800) 233-8493 • Fax (570) 546-4692 • www.c-sgroup.com