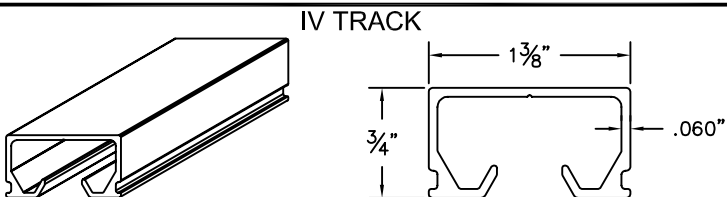
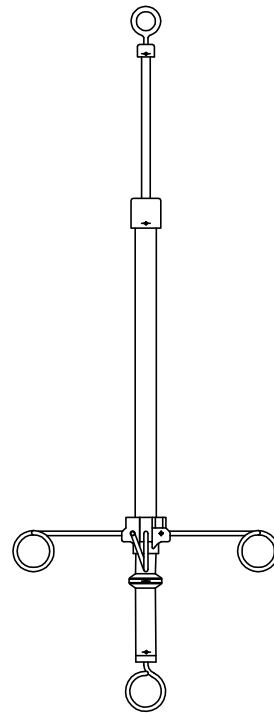
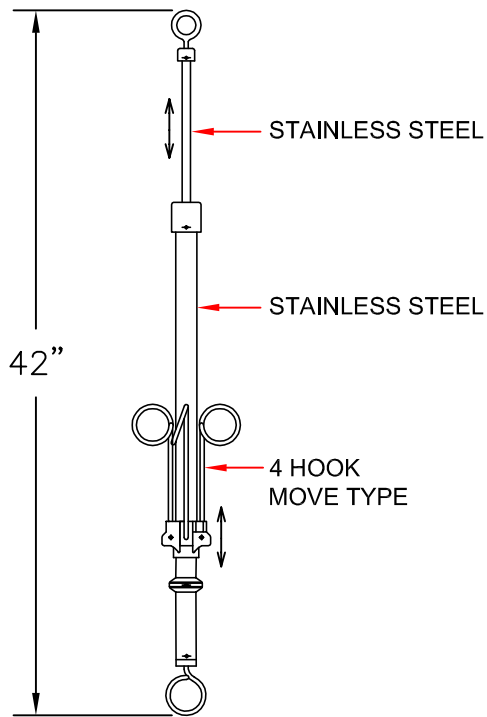


# IV PENDANT

## 5 BOTTLE



DRAWING BY: CDL

DATE: 10/5/2016

**CS**™ Cubicle Curtains