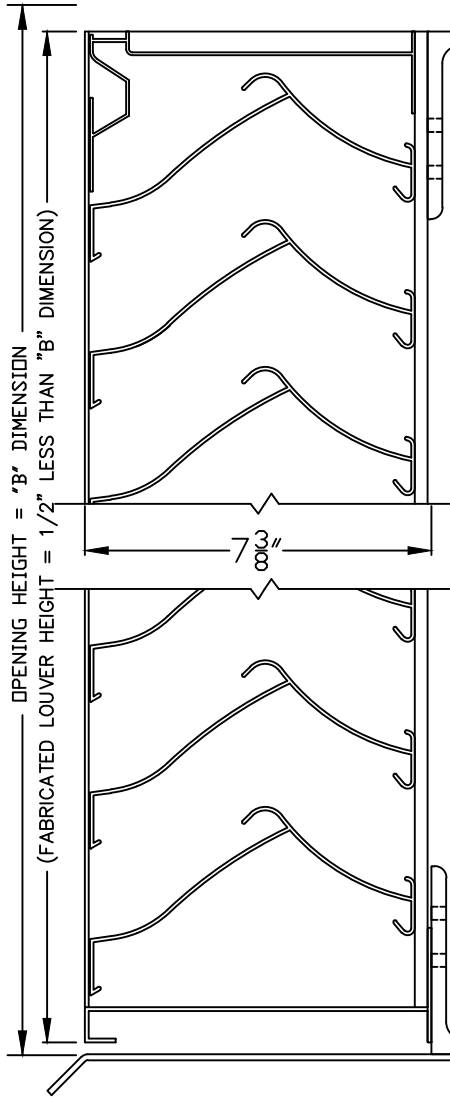
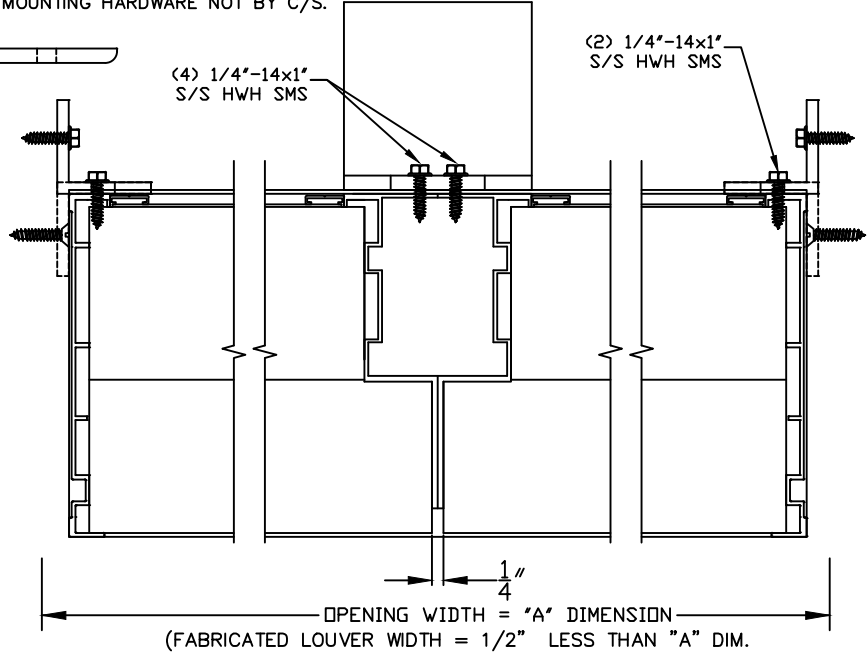


STORM RESISTANT LOUVERS — MODEL RS-7705

LOUVER FURNISHED WITH 2"x2"x1/4" ALUM.
 CLIP ANGLES 24" O.C. (JAMBS ONLY) (MIN. 2 PER JAMB)
 PERIMETER MOUNTING HARDWARE NOT BY C/S.



SECTION VIEW



PLAN VIEW

SCREENS

- SCREEN NOT REQUIRED
- SCREEN REQUIRED
- INTERIOR MOUNTED
- EXTERIOR MOUNTED
- BIRDSCREEN (1/2" MESH)
- INSECT SCREEN (18x16 MESH)

FINISHES

- STANDARD MILL
- FLUOROPOLYMER POWDER COAT
 - (1) OF C/S STD. COLORS
 - CUSTOM COLOR, C/S REQUIRES A COLOR CHIP FOR MATCHING
- ARCHITECTURAL CLASS I (DK. OR MED.) BRONZE ANODIC COATING
- 204-R1 CLEAR ANODIZE
- OTHER _____

SILL PAN

- * SETBACK DIM = 0"-3"
- * SETBACK DIM = 3s"-6"

C/S EXTRUDED ALUM STORM RESISTANT FIXED HORIZONTAL LOUVER MODEL RS-7705. FRAMES AND BLADES TO BE FABRICATED FROM 6063-T5 ALLOY, WITH REINFORCING BOSSES AND A NOMINAL .081" MATERIAL THICKNESS. ALL FASTENERS TO BE STAINLESS STEEL.

UNSUPPORTED BLADE LENGTH= © PSF.

MARK	QTY.	"A" DIM.	"B" DIM.	NUMBER OF MULLIONS	LOCATION	REMARKS

CKD.
 BY:
 DRAWN
 BY:
 DATE:
 DWG.
 NO:
 SHEET OF

Construction Specialties, Inc.
 49 Meeker Avenue
 Cranford, New Jersey 07016
 (908) 272-5200
 Fax (908) 272-6038

PROJECT:
 CUSTOMER:
 ARCH'T:
 AGENT: