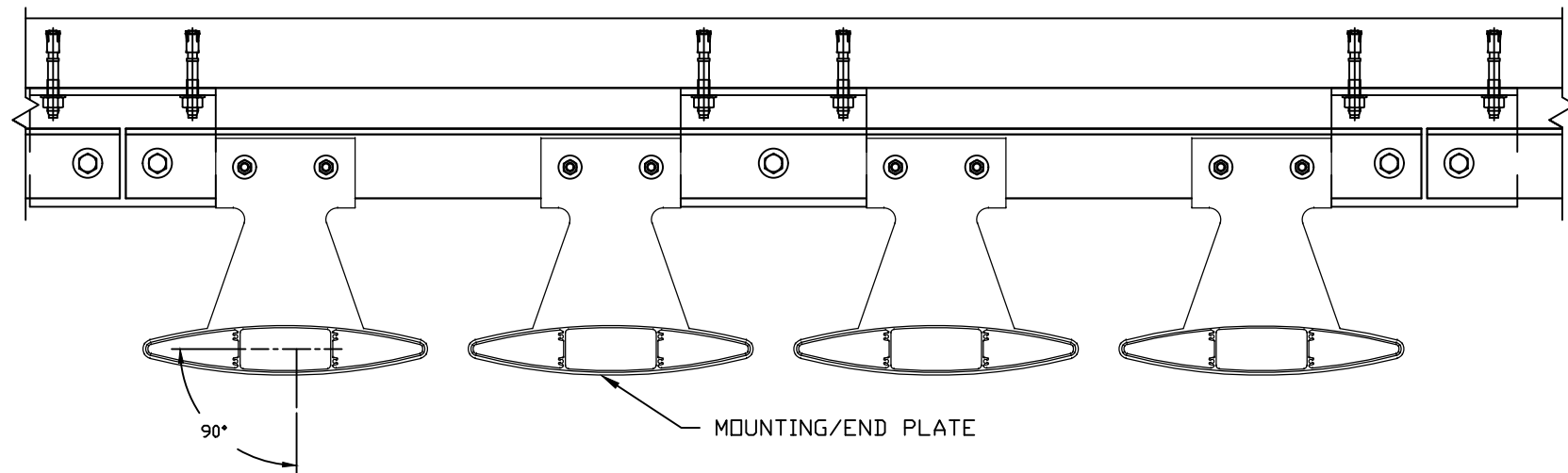
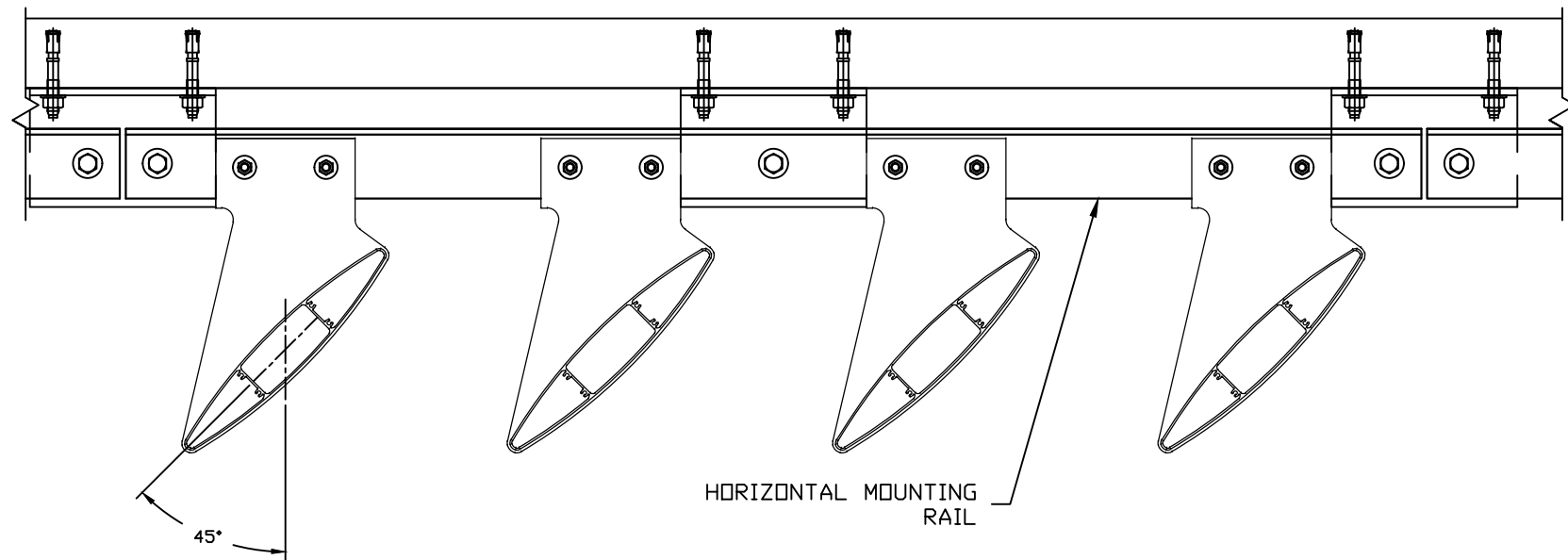


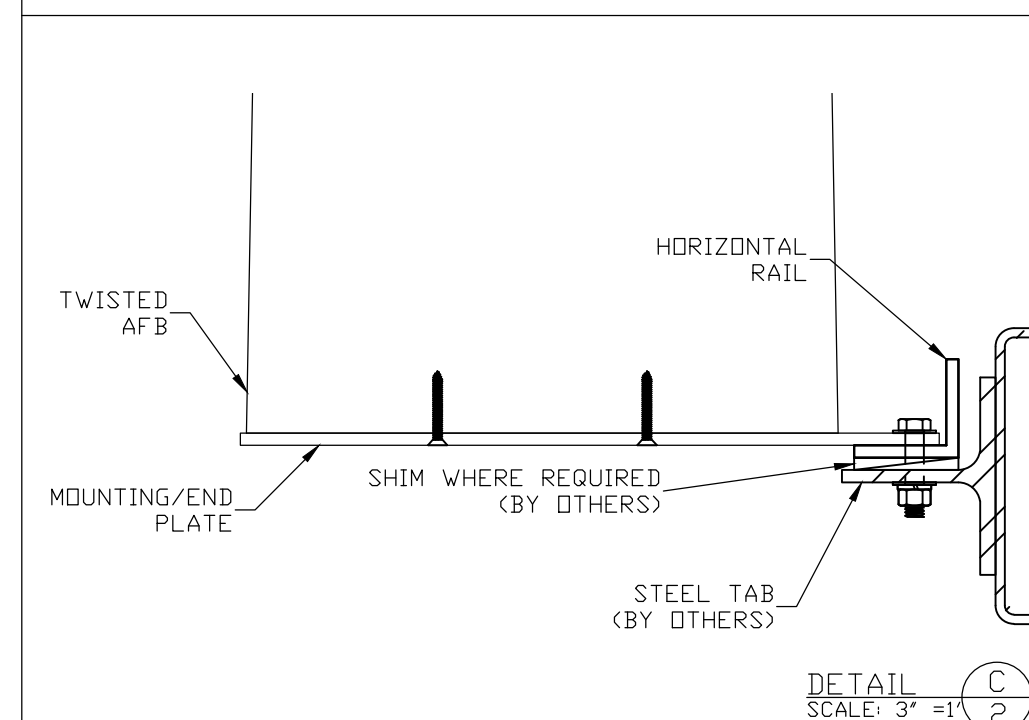
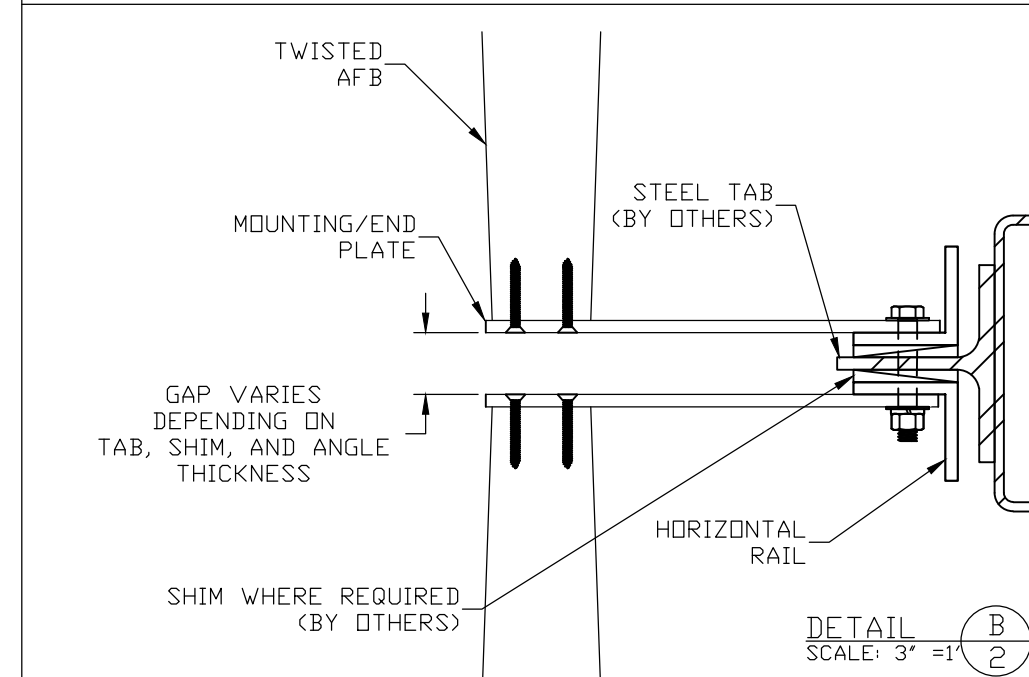
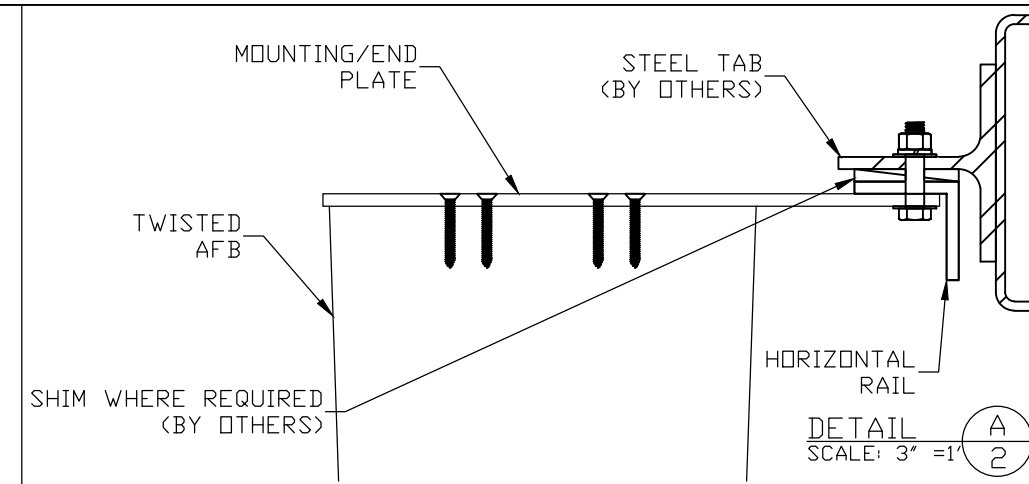
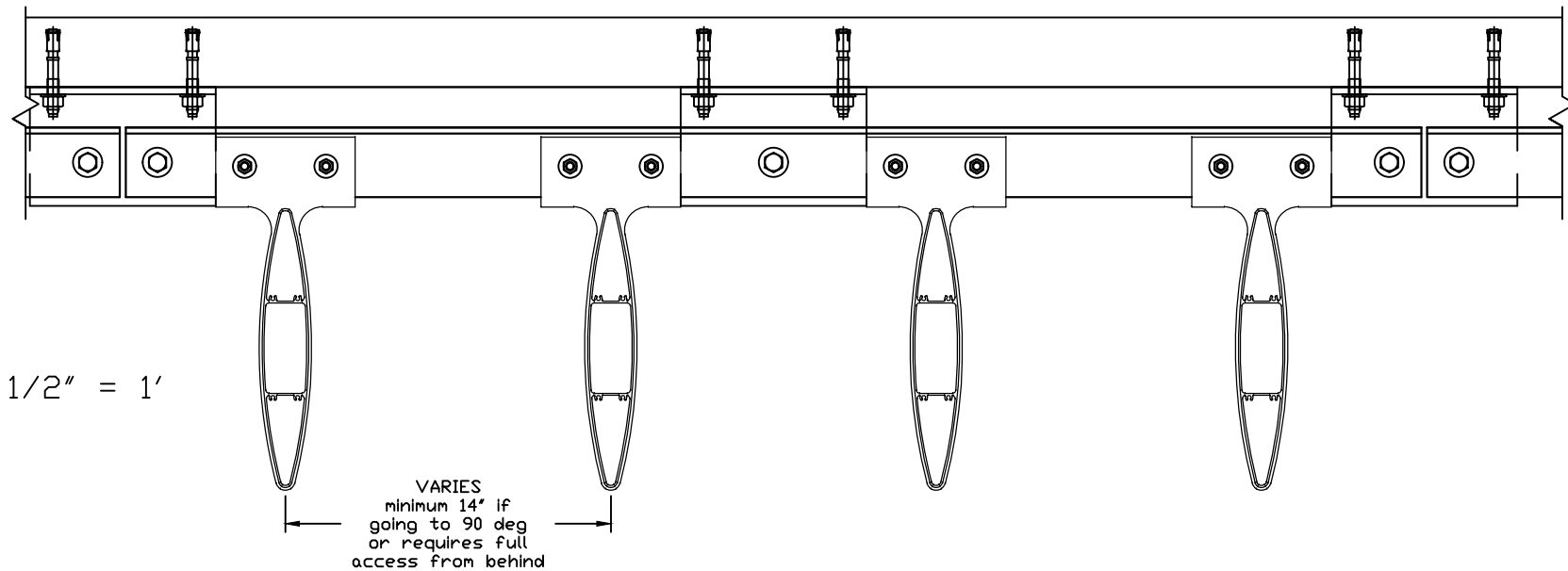
SECTION S3  
90 DEG 2



SECTION S2  
45 DEG 2



SECTION S1  
0 DEG 2



REVISION: 02-15-19  
DATE: 2-14-18  
SHEET: 2 OF 3  
DRW NO: RD-

PROJECT: TWISTED SUNSHADE  
TITLE: AFB DETAILS  
SCALE: 1 1/2" = 1'  
DRW BY: J BLAKE

**Construction Specialties™**  
49 MEEKER AVENUE, CRANFORD, NEW JERSEY  
PHONE: 1-800-631-7379 / FAX: 908-272-5844