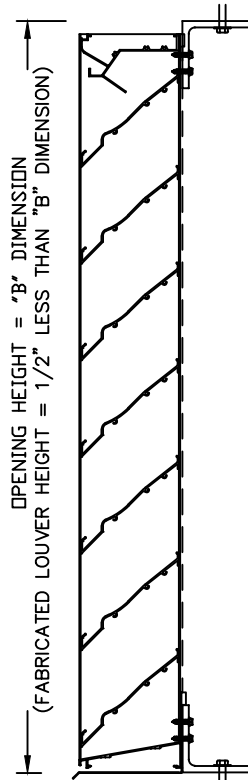
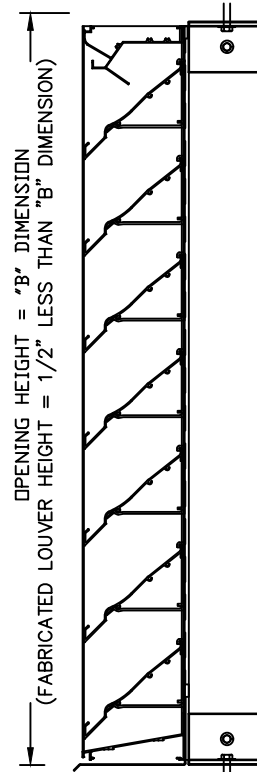


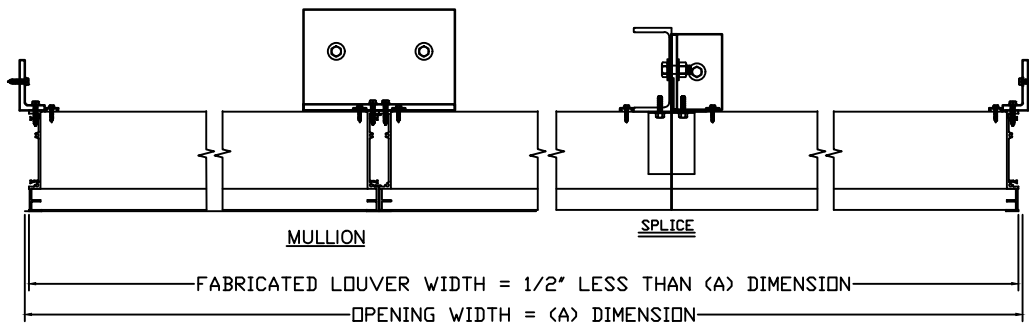
# 6" BLAST RESISTANT HIGH PERFORMANCE DRAINABLE LOUVER MODEL BL-6179



**SECTION VIEW**



**SECTION VIEW**



**PLAN VIEW**

NOTE: ALL LOUVERS, PERIMETER ATTACHMENTS, AND FASTENERS TO BE DESIGNED ON A JOB BY JOB BASIS BASED ON BLAST REQUIREMENTS (LOAD [psi] AND IMPULSE [psi-msec])



**Construction Specialties™**  
3 WERNER WAY, LEBANON, NEW JERSEY  
PHONE: 1-800-233-8493

PROJECT: BL-6179	REVISION:
TITLE: TYPICAL DETAILS	DATE: 03-19-2021
SCALE: 1"=1'-0"	SHEET: 1 OF 1
DRW BY: R. GEIST	DRW NO : RD-1254