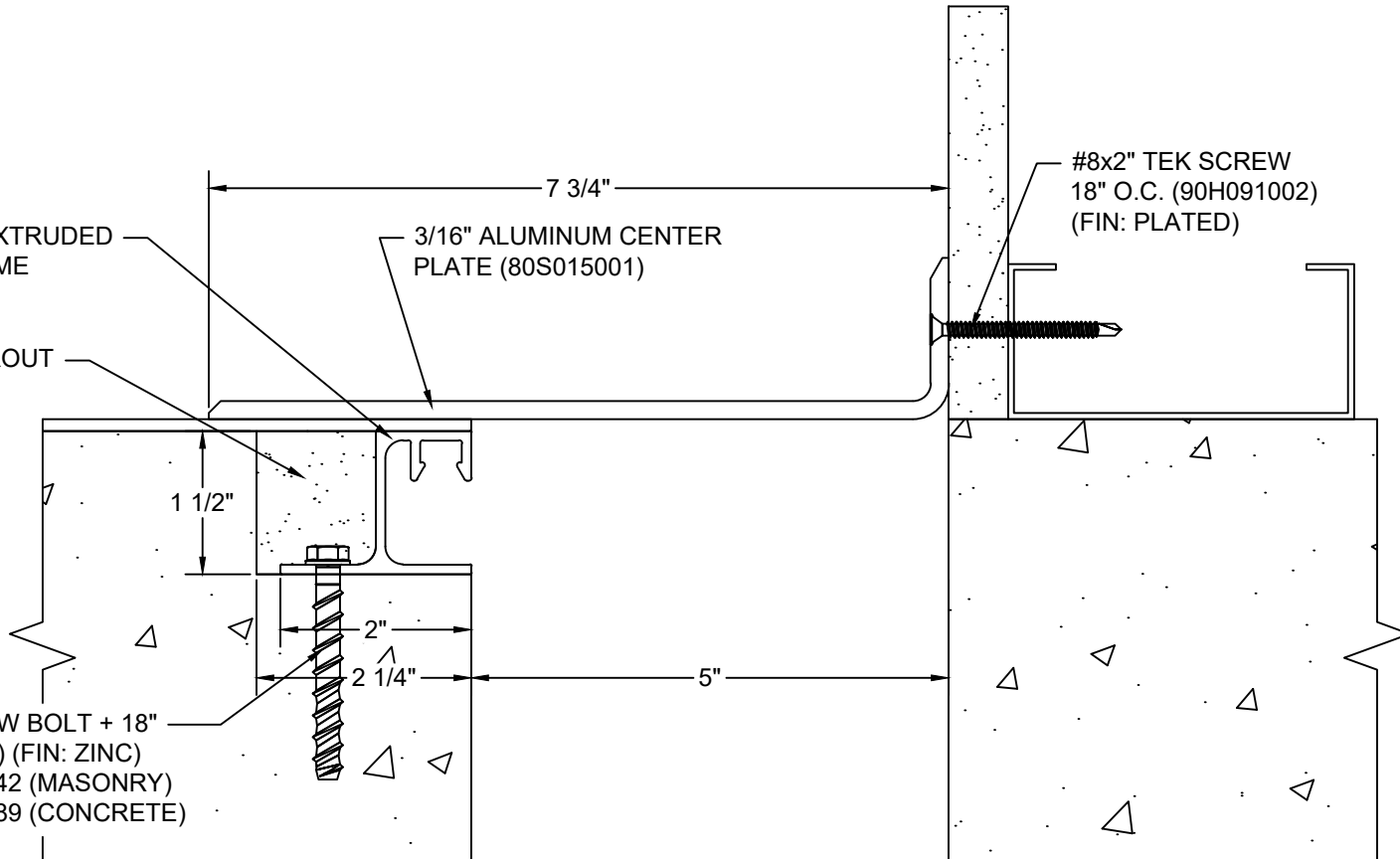


CONTINUOUS EXTRUDED  
ALUMINUM FRAME  
(12A104009)

NON SHRINK GROUT  
(NOT BY CS)

1/4"x2 1/4" SCREW BOLT + 18"  
O.C. (90H244004) (FIN: ZINC)  
ICC-ES#-ESR-4042 (MASONRY)  
ICC-ES#-ESR-3889 (CONCRETE)



## Model: SJPW-500



**Construction Specialties®**

[www.c-sgroup.com](http://www.c-sgroup.com)

6696 Route 405 Highway, Muncy, PA 17756  
Phone: (800) 233-8493 / Fax: (570) 546-8022

895 Lakefront Promenade, Mississauga, Ontario L5E 2C2 Canada  
Phone: (888) 895-8955 / Fax: (905) 274-6241

© Copyright 2018 Construction Specialties, Inc.

PROJECT:	SCALE: NTS
CUSTOMER:	DATE:
LOCATION:	JOB NO.:
DRAWN BY:	SHEET NO.: