

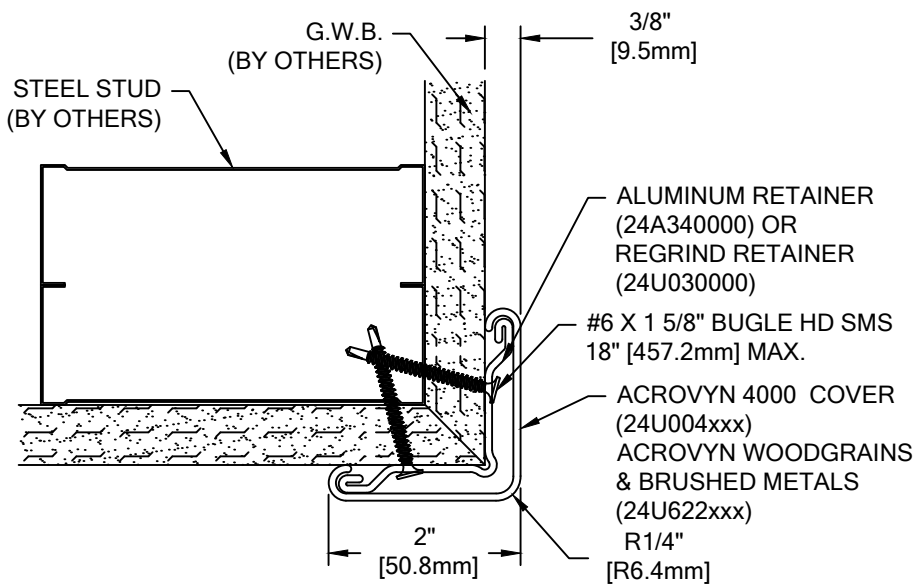
**COLOR:**  
**CORNER GUARD:** \_\_\_\_\_  
 COLOR TO BE SELECTED FROM ONE OF CS STANDARD COLORS.  
 \*OPTIONAL ACCENT REVEAL AVAILABLE. ONLY AVAILABLE IN BLACK.

**RETAINER:** \_\_\_\_\_  
 AVAILABLE WITH EITHER REGRIND OR ALUMINUM RETAINER. PLEASE SPECIFY.

QTY. REQ'D	UNIT HEIGHT


**NOTES:**

1. SURFACE MOUNT CORNER GUARD AVAILABLE IN FULL AND PARTIAL HEIGHT. PLEASE SPECIFY DESIRED UNIT HEIGHT IN TABLE IN TOP RIGHT CORNER.



## SSM-20N SERIES ACROVYN 4000

WALL CONDITION	SPECIFIED FASTENER	DRILL DIAMETERS		CS PART NUMBER
		WALL	RETAINER	
STEEL STUD/GYPSUM WALL WOOD STUD/GYPSUM WALL	#6 X 1 5/8" BUGLE HEAD SHEET METAL SCREW	N/A	1/8"	90H079002
CONCRETE/CONCRETE BLOCK	AF-6 PLASTIC ANCHOR #10 X 1 1/2" PHILLIPS PAN HEAD SMS	1/4"	9/32"	90H039004 90H189002
CONCRETE/CONCRETE BLOCK END CAP ATTACHMENT	1/8" BLIND RIVET #8 SAE FLAT WASHER STEEL PLATED	N/A	5/32"	90H111002 90H010003

 <p>Hughesville, PA   800.233.8493   570.546.5941        Mississauga, ON   888.895.8955   905.274.3611  <a href="http://www.c-sgroup.com">www.c-sgroup.com</a></p> <p>© Copyright 2017 Construction Specialties, Inc.</p>	<b>PROJECT:</b>	<b>REVISION:</b>
	<b>JOB NO.:</b>	<b>F&amp;F:</b>
	<b>CUSTOMER:</b>	
	<b>REP:</b>	<b>DATE:</b>
	<b>DRAWN BY:</b>	<b>SHEET NO:</b>