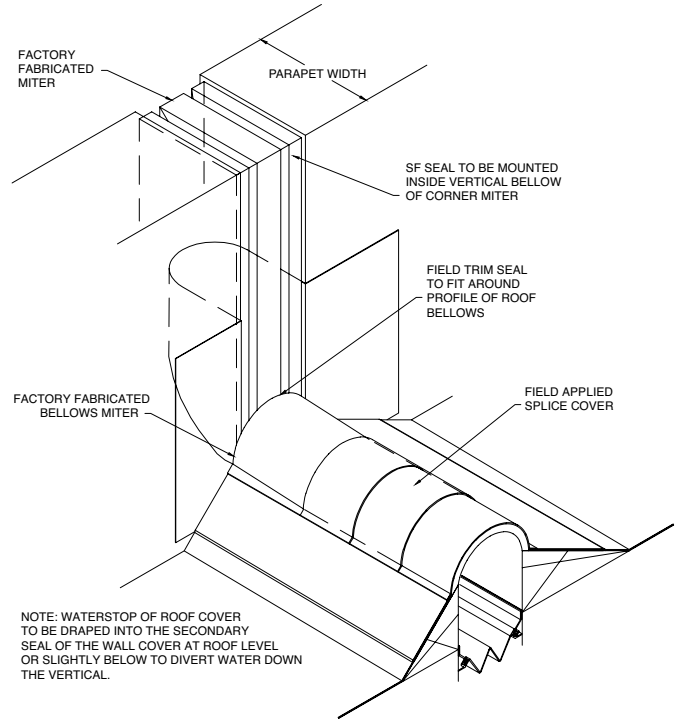
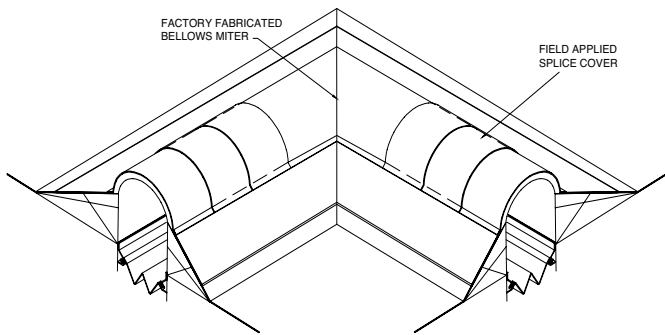


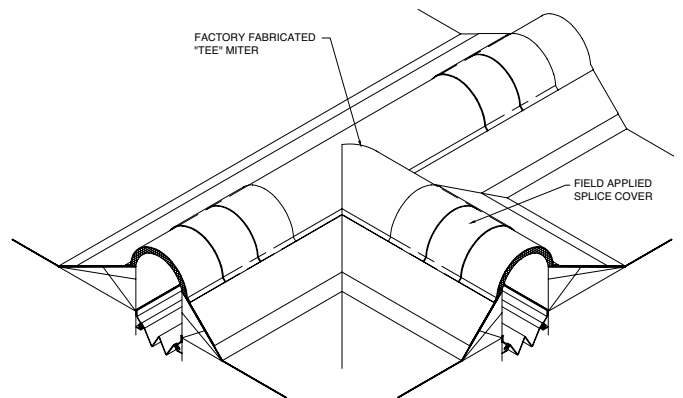
BRJ TO SF TRANSITION AT ROOF EDGE



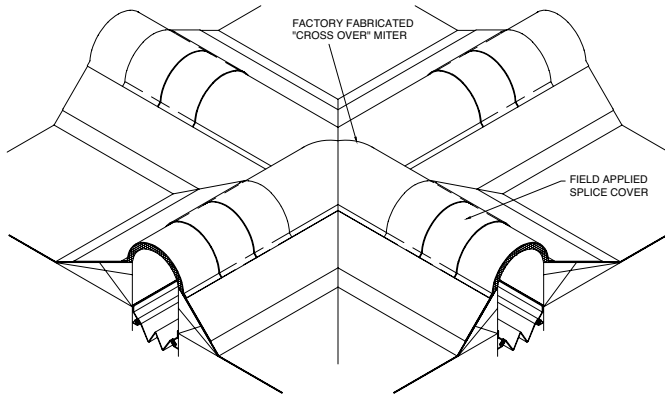
BRJ TO SF TRANSITION AT PARAPET



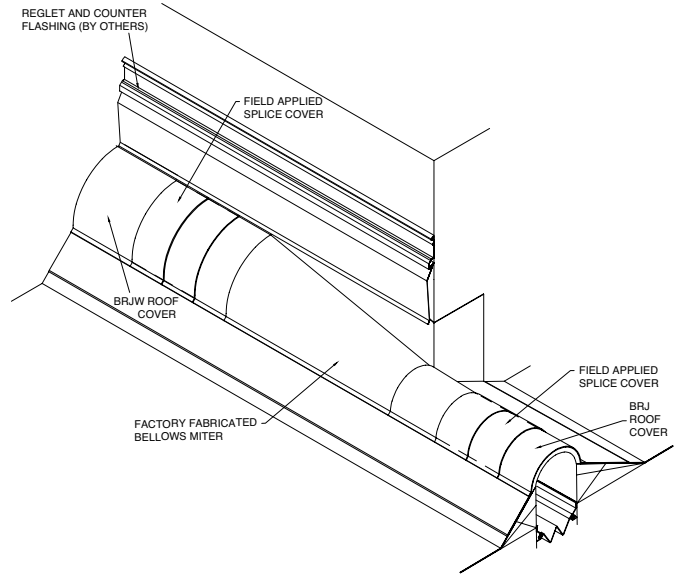
BRJ 90° MITER



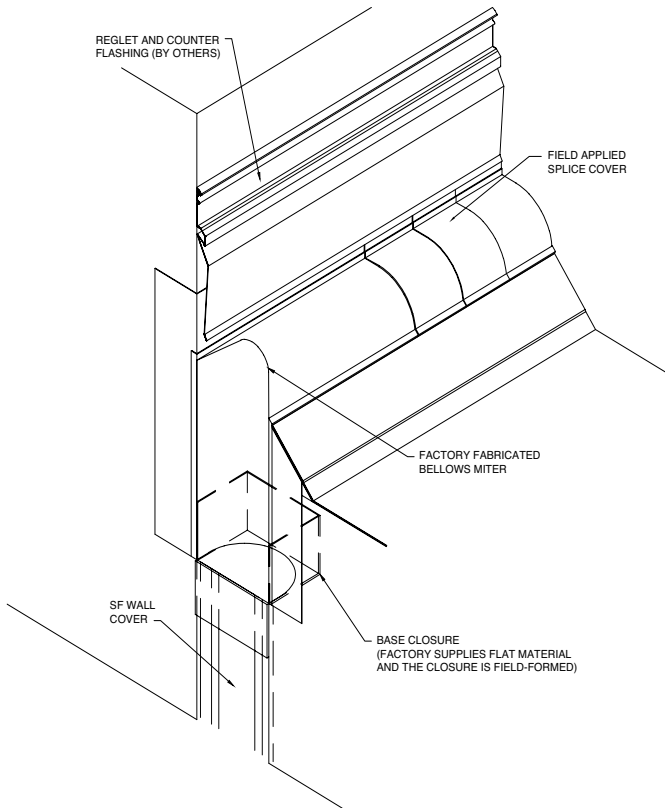
BRJ TEE MITER



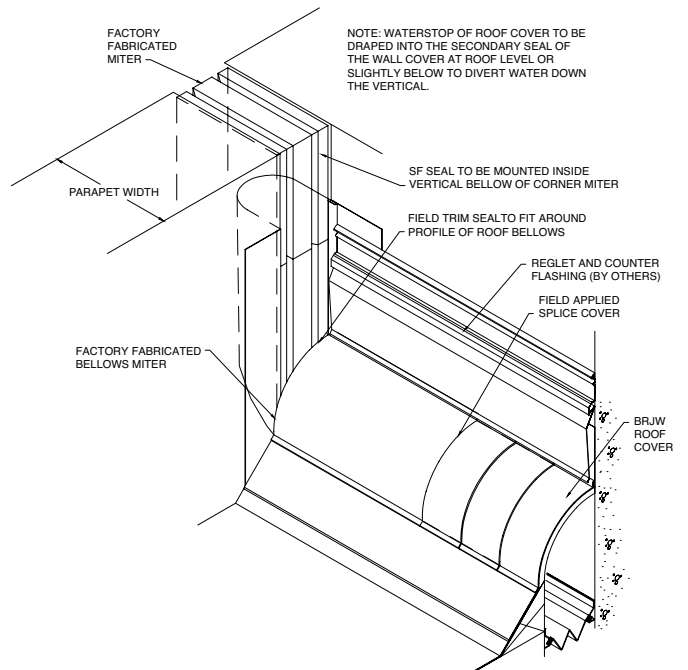
BRJ CROSSOVER MITER



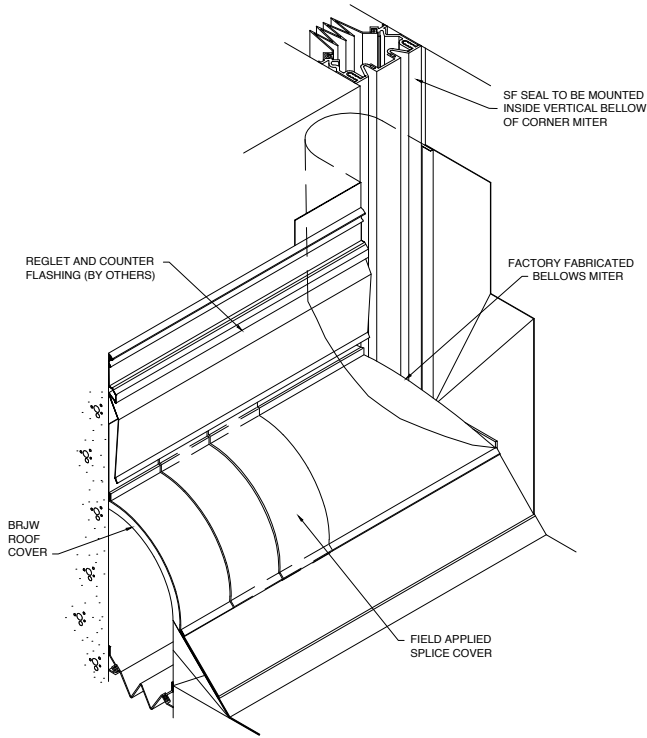
BRJW TO BRJ TRANSITION



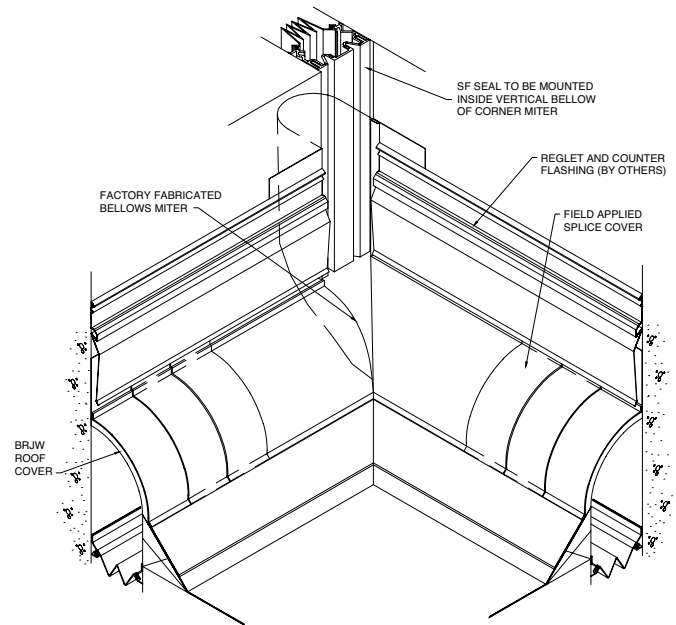
BRJW TO SF TRANSITION AT ROOF EDGE



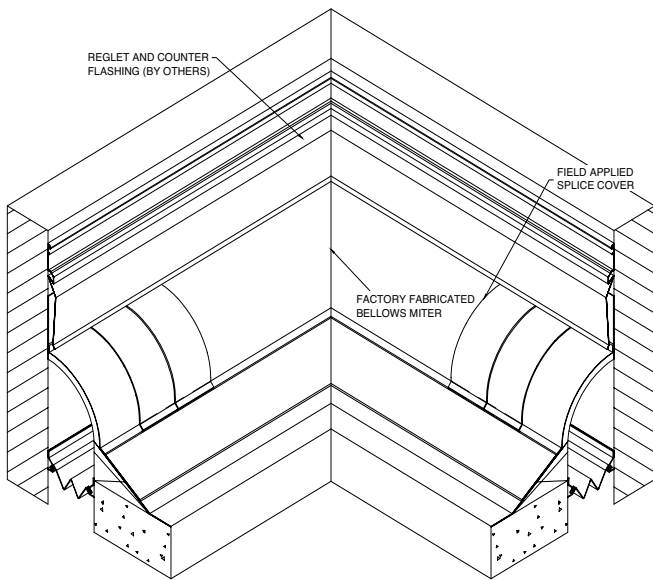
BRJW TO SF TRANSITION AT PARAPET



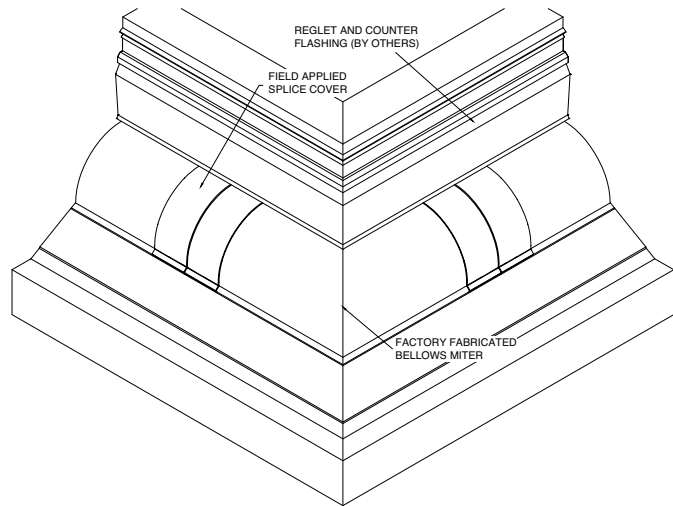
ROOF TO WALL TRANSITION AT OFFSET JOINT



3-WAY ROOF TO WALL TRANSITION AT OFFSET JOINT



BRJW 90° INSIDE CORNER MITER



BRJW 90° OUTSIDE CORNER MITER