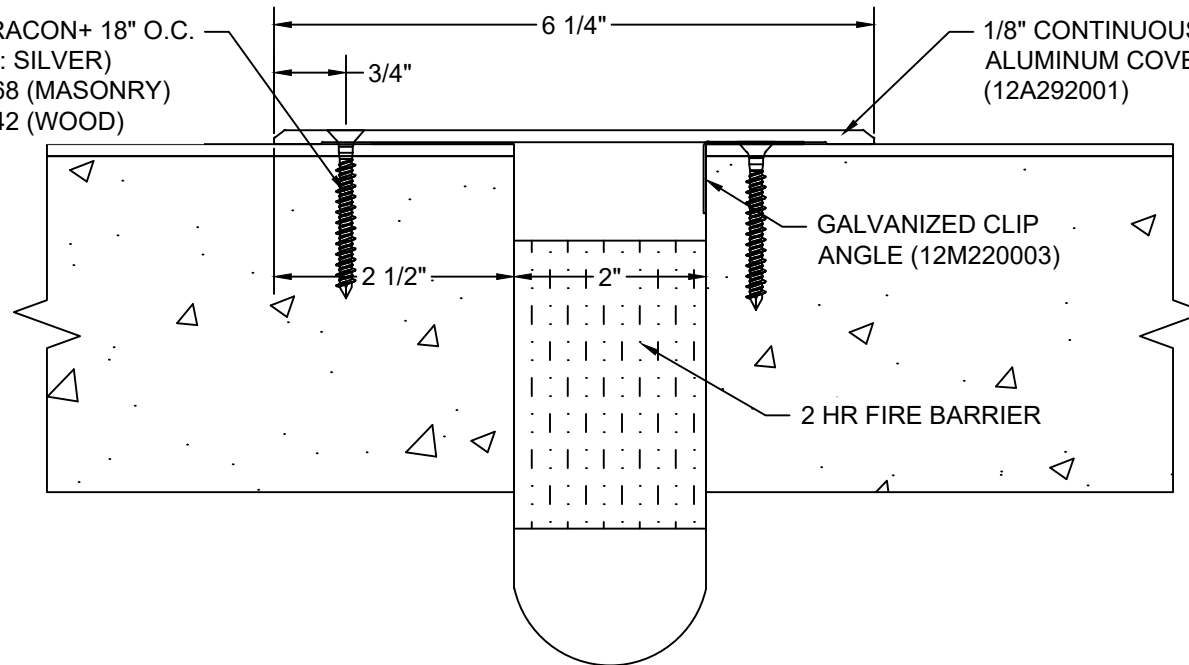


3/16"x1 3/4" ULTRACON+ 18" O.C.
 (90H236004) (FIN: SILVER)
 ICC-ES#-ESR-3068 (MASONRY)
 ICC-ES#-ESR-3042 (WOOD)



1/8" CONTINUOUS EXTRUDED
 ALUMINUM COVER PLATE
 (12A292001)

GALVANIZED CLIP
 ANGLE (12M220003)

2 HR FIRE BARRIER

Model: PC2G-200 W/ FB



Construction Specialties[®]

www.c-sgroup.com

6696 Route 405 Highway, Muncy, PA 17756
 Phone: (800) 233-8493 / Fax: (570) 546-8022

895 Lakefront Promenade, Mississauga, Ontario L5E 2C2 Canada
 Phone: (888) 895-8955 / Fax: (905) 274-6241

© Copyright 2018 Construction Specialties, Inc.

PROJECT:	SCALE: NTS
CUSTOMER:	DATE:
LOCATION:	JOB NO.:
DRAWN BY:	SHEET NO.: